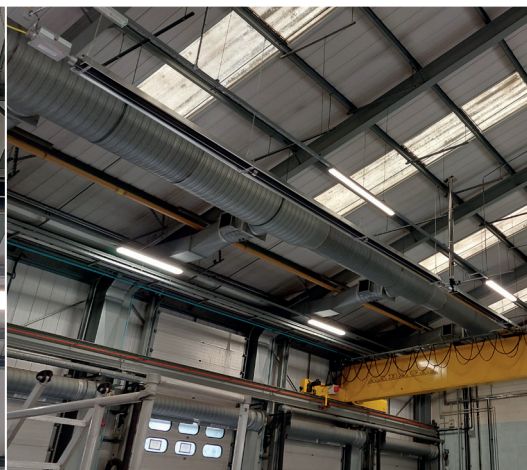




LRDL

Gas Fired Double Linear Radiant Heaters



*Innovation
in design*

*Bespoke
solutions
made easy*

Find Your perfect Heating Solution

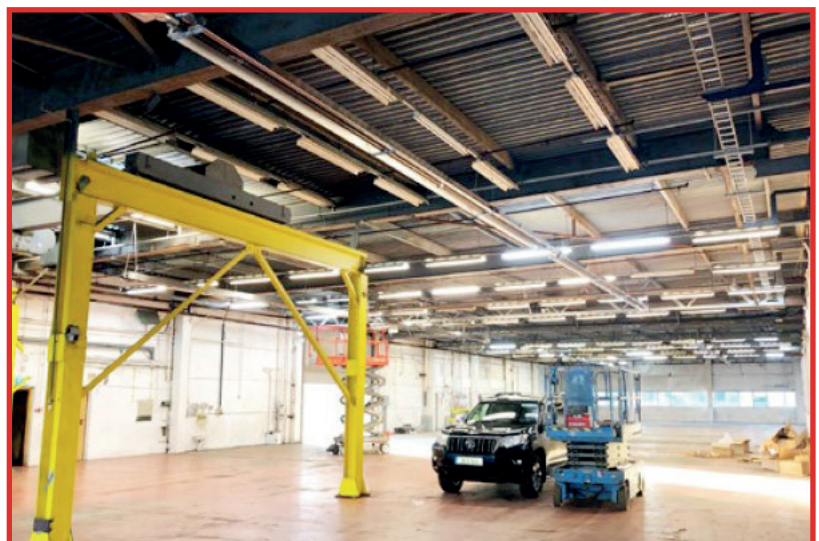
LRDL Radiant Tube Series

Gas Fired Double Linear Models



Power of two heaters, convenience of one flue

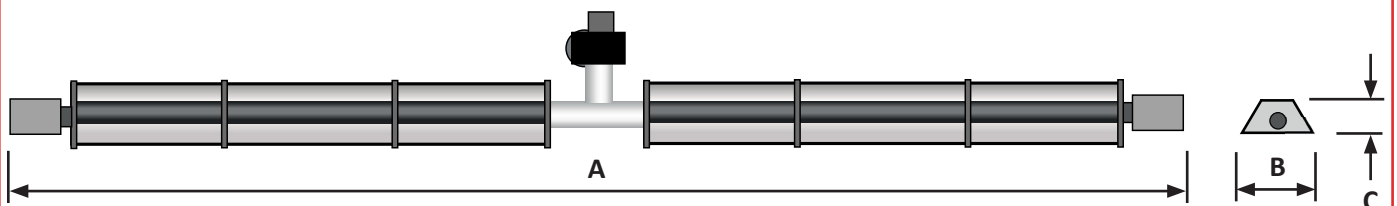
- Efficient and cost saving heating method, with fuel savings up to 25% when compared to warm air
- Six input ratings: 30kW to 94kW
- Heat treated Aluminised Calorised emitter tube surface - for flake free and cleaner working environment
- Natural Gas and Propane
- Aluminium reflectors - the tested and proven superior material - designed to maximise downward radiant heating effect
- Lightweight construction - tubes supplied in 3m sections - easy to assemble and fit
- Suction operation for increased efficiency and ease of fluing - vertical or horizontal
- Mounting heights from 2.1m to 15m
- Heater lengths up to 32m
- CE Approved
- Made in the UK under our ISO9001:2008 quality assured system, all units test fired before despatch
- Five year emitter tube guarantee
- Invented by SPACE-RAY



SPECIFICATION GUIDE - LRDL Series

Models		LRDL15	LRDL25	LRDL30	LRDL35	LRDL40	LRDL45
Heat Input	kW Hs	30.0	46.0	58.4	69	84.4	94.0
	kW Hi	27.0	41.4	24.3	62.2	76.0	84.6
Seasonal efficiency	ErP %	75.6	77.9	81.0	75.7	78.3	75.3
	BREEAM %	91.4	91.2	92.0	87.9	89.9	86.8
Gas connection	BSP	½"					
Maximum gas consumption	Nat gas G20 (m³/h)	2.81	4.31	5.74	6.46	7.90	8.80
	LPG G30 (m³/h)	1.14	1.75	2.22	2.62	3.21	3.57
Gas inlet pressure	mbar	Natural gas - 20mbar			LPG - 37mbar		
Flue connection	Ømm	150mm					
Inlet air connection	Ømm	101mm					
Supply voltage	V	230V 50Hz 1PH N & E 125w Current rating 1.1A External fuse rating - 3A					

Dimensional Data



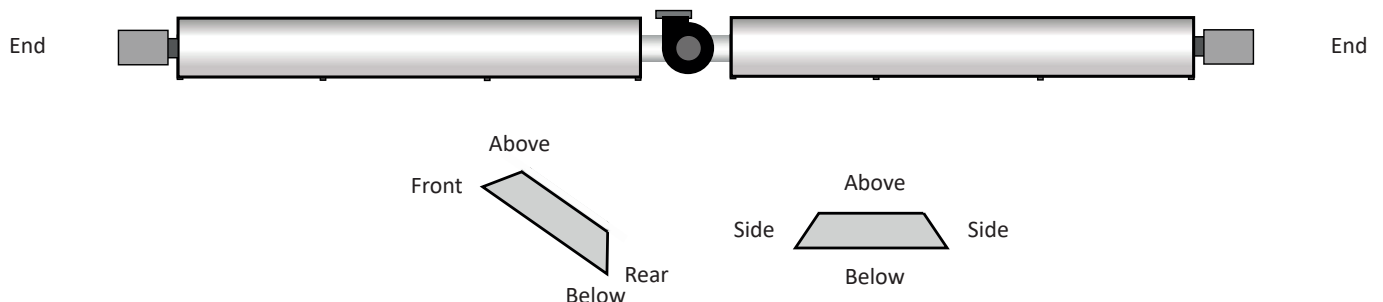
DIMENSIONAL DATA - LRDL Series

Models		LRDL15	LRDL25	LRDL30	LRDL35	LRDL40	LRDL45
Length (A) Standard unit	mm	10763	19802	19802		25948	
Length (A) Extended unit	mm	-		25898		32044	
Width (B)	mm	340					
Height (C)	mm	180					
Weight	kg	60	92	124kg - std; 149kg - ext		158kg - std; 183kg - ext	

RECOMMENDED MOUNTING HEIGHT RANGE (General Guidance only) - LRDL Series

Models		LRDL15	LRDL25	LRDL30	LRDL35	LRDL40	LRDL45
Horizontal mounting	m	2.4 to 6.0	3.0 to 8.0	3.8 to 10.0	4.0 to 12.5	4.8 to 13.5	5.6 to 15.0
Angled mounting >30°	m	2.1 to 4.5	2.7 to 5.0	3.3 to 7.0	3.7 to 8.0	4.0 to 9.0	4.8 to 11.0

Clearances To Combustibles



MINIMUM CLEARANCES TO COMBUSTIBLE SURFACES - LRDL Series

Models	Side	Above	Below	End	Front	Rear
LRDL15 to 25	510mm	450mm	1220mm	510mm	610mm	305mm
LRDL30 to 45	760mm	610mm	2285mm	610mm	760mm	380mm



Tel: +44(0)1473 830 551

Fax: +44(0)1473 832055

www.spaceray.co.uk

info@spaceray.co.uk



Gas Fired Products (UK) Ltd
Chapel Lane
Claydon
Ipswich
Suffolk, IP6 0JL



FACTORIES: IPSWICH, ENGLAND - CHARLOTTE, N.C, U.S.A