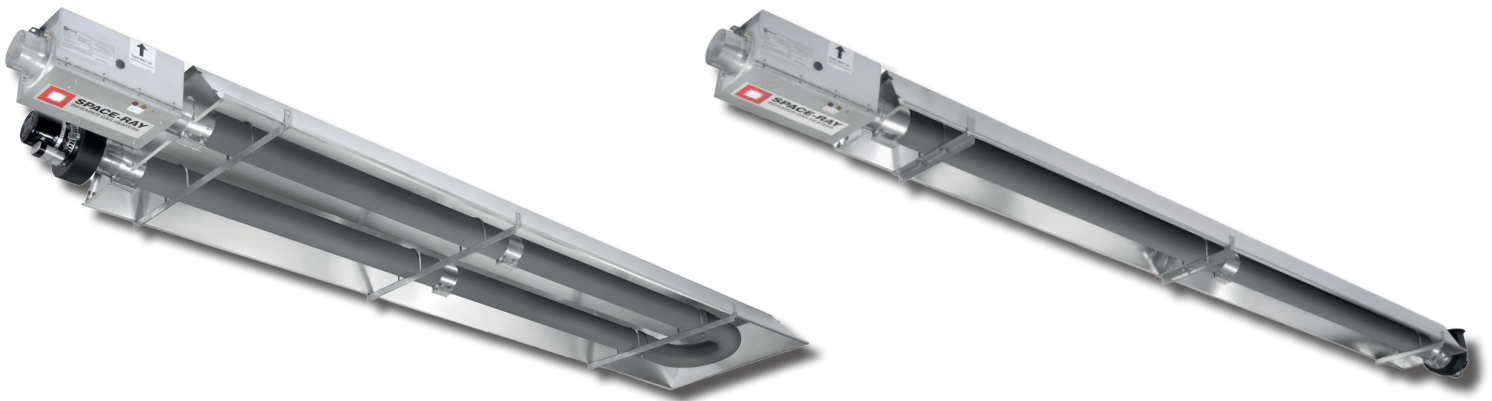




ADU & ADL

High Efficiency Gas Fired U Tube and Linear Heaters



*Innovation
in design*



*Bespoke
solutions
made easy*

Find Your perfect Heating Solution

ADU/ADL Advantage Radiant Tube Series

High Efficiency Gas Fired U Tube and Linear Models



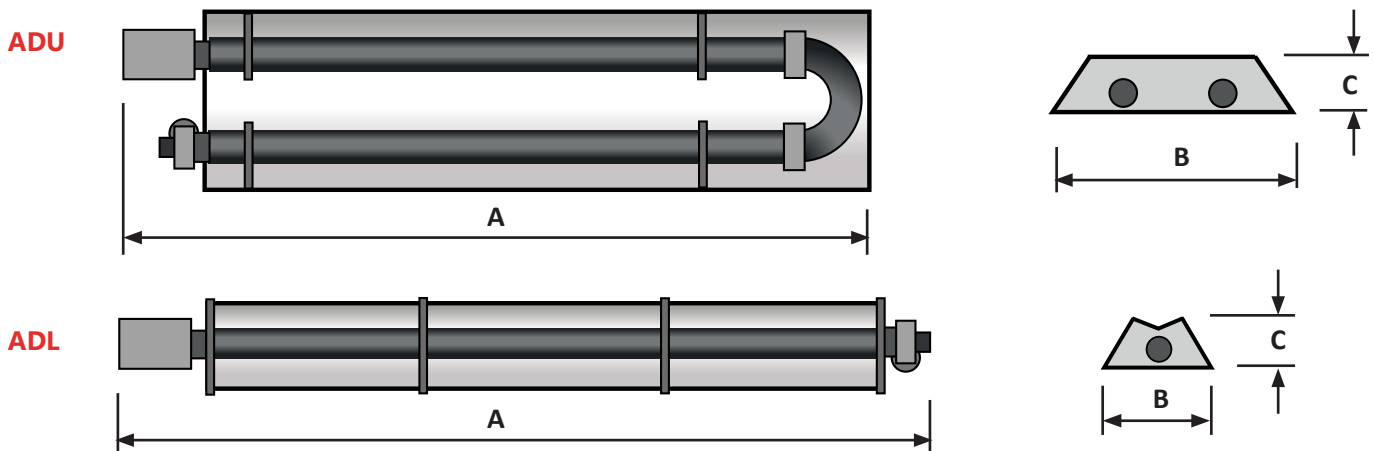
- Five input ratings: 23kW to 47kW available in Linear and 'U' models
- 'Herringbone' link flue systems available with all 'U' and linear models
- Heat treated Aluminised Calorised emitter tube surface - for flake free and cleaner working environment
- Natural Gas and Propane
- Double aluminium reflectors - the tested and proven superior material - designed to maximise downward radiant heating effect and increase efficiency
- Lightweight construction - tubes supplied in 3m sections - easy to assemble and fit
- CE Approved
- Efficient and cost saving heating method
- Made in the UK under our ISO9001:2008 quality assured system - all units test fired before despatch



SPECIFICATION GUIDE - ADU & ADL Series

Models		ADU25	ADU30	ADU35	ADU40	ADU45	ADL25	ADL30	ADL35	ADL40	ADL45	
Heat Input	kW Hs	23.0	29.2	34.5	42.2	47.0	23.0	29.2	34.5	42.2	47.0	
	kW Hi	20.7	26.3	31.1	38.0	42.3	20.7	26.3	31.1	38.0	42.3	
Seasonal efficiency	ErP %	75.2	75.9	78.2	76.3	75.0	74.1	75.6	77.9	81.0	75.7	
	BREEAM %	91.1	90.3	87.5	89.9	88.8	92.6	91.7	88.1	90.9	87.4	
Gas connection	BSP	½"										
Maximum gas consumption	Nat gas G20 (m³/h)	1.40	2.15	2.73	3.23	3.95	4.40	1.40	2.15	2.73	3.23	
	LPG G30 (m³/h)	0.57	0.87	1.11	1.31	1.60	1.79	0.57	0.87	1.11	1.31	
Gas inlet pressure	mbar	Natural gas - 20mbar					LPG - 37mbar					
Flue connection	Ømm	127mm or 100mm										
Inlet air connection	Ømm	101mm										
Supply voltage	V	230V 50Hz 1PH N & E Current rating 0.55A External fuse rating - 3A										

Dimensional Data



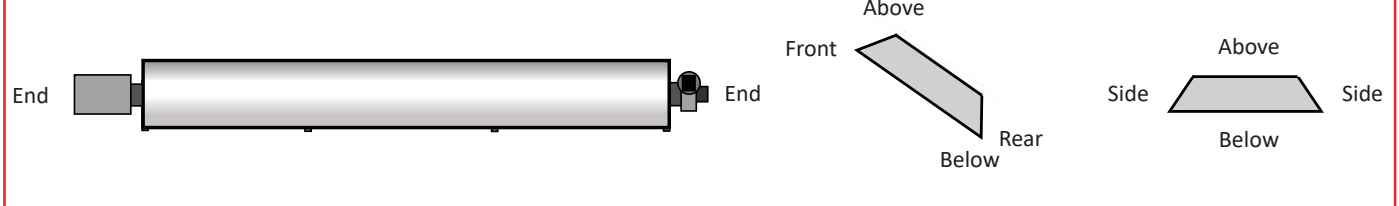
DIMENSIONAL DATA - ADU & ADL Series

Models		ADU25	ADU30	ADU35	ADU40	ADU45	ADL25	ADL30	ADL35	ADL40	ADL45
Length (A)	mm	5385	5510		6970		10065	9955		13000	
Width (B)	mm	460	715				340				
Height (C)	mm	175	210				180				
Weight	kg	47	66		81		46	62		79	

RECOMMENDED MOUNTING HEIGHT RANGE (General Guidance only) - ADU & ADL Series

Models		ADU & ADL25	ADU & ADL30	ADU & ADL35	ADU & ADL40	ADU & ADL45
Horizontal mounting	m	3.0 to 8.0	3.8 to 10.0	4.0 to 12.5	4.8 to 13.5	5.6 to 15.0
Angled mounting >30°	m	2.7 to 5.0	3.3 to 7.0	3.7 to 8.0	4.0 to 9.0	4.8 to 11.0

Clearances To Combustibles



MINIMUM CLEARANCES TO COMBUSTIBLE SURFACES - ADU & ADL Series

Models	Side	Above	Below	End	Front	Rear
ADU & ADL25	510mm	450mm	1220mm	510mm	610mm	305mm
ADU & ADL30 to 45	760mm	610mm	2285mm	610mm	760mm	380mm



Tel: +44(0)1473 830 551

Fax: +44(0)1473 832055

www.spaceray.co.uk

info@spaceray.co.uk



Gas Fired Products (UK) Ltd
Chapel Lane
Claydon
Ipswich
Suffolk, IP6 0JL



FACTORIES: IPSWICH, ENGLAND - CHARLOTTE, N.C, U.S.A