



SPACE-RAY®

ADU & ADL-HB 'Herringbone' Linked Flue System

High Efficiency Gas Fired U Tube and Linear Heaters



***Innovation
in design***



***Bespoke
solutions
made easy***

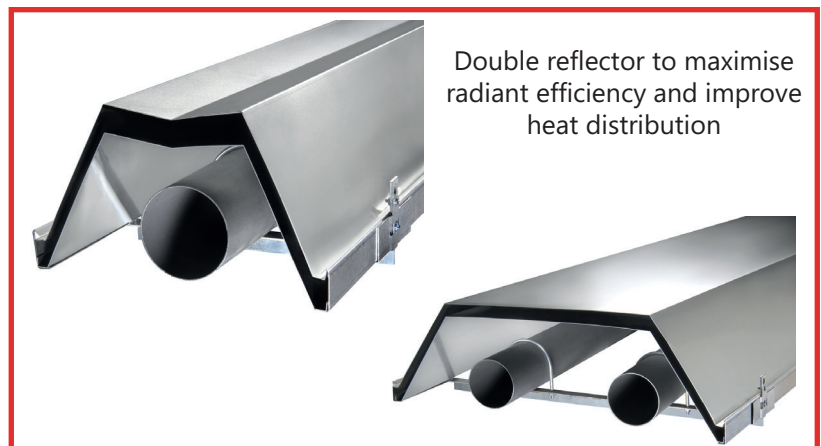
Find Your perfect Heating Solution

ADU/ADL-HB 'Herringbone' Linked Flue System

High Efficiency Gas Fired U Tube and Linear Models



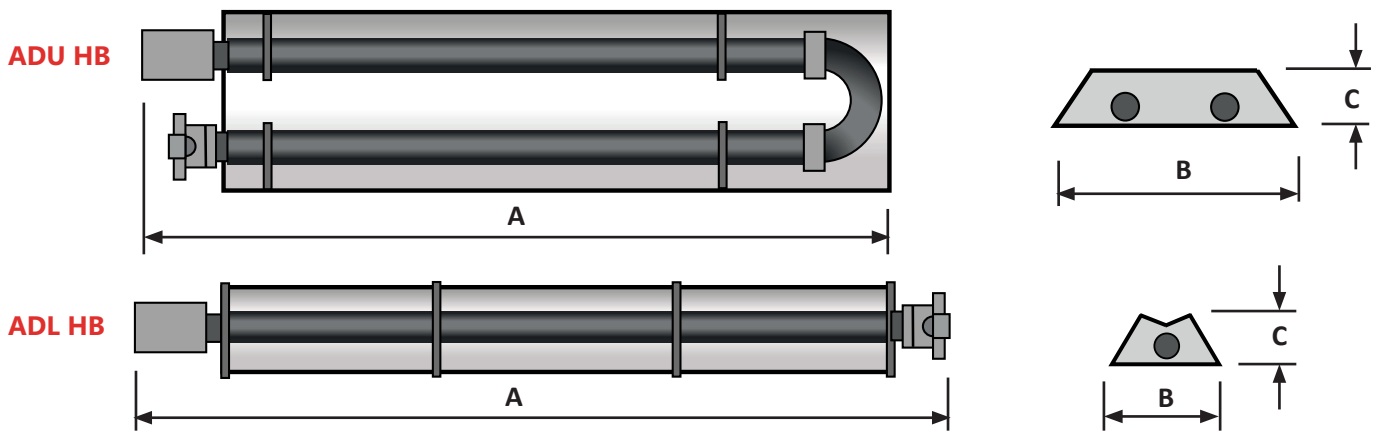
- Five input ratings: 23kW to 47kW available in Linear and 'U' models
- 'Herringbone' link flue systems available with all 'U' and Linear models
- Heat treated Aluminised Calorised emitter tube surface - for flake free and cleaner working environment
- Natural Gas and Propane
- Double aluminium reflectors - the tested and proven superior material - designed to maximise downward radiant heating effect and increase efficiency
- Lightweight construction - tubes supplied in 3m sections - easy to assemble and fit
- CE Approved
- Made in the UK under our ISO9001:2008 quality assured system - all units test fired before despatch
- Five year emitter tube guarantee
- Purpose designed radiant heating system for efficient, cost saving heating and coverage of large floor areas



SPECIFICATION GUIDE - ADU HB & ADL HB Series

| Models | | ADU 25HB | ADU 30HB | ADU 35HB | ADU 40HB | ADU 45HB | ADL 25HB | ADL 30HB | ADL 35HB | ADL 40HB | ADL 45HB | |
|-------------------------|--------------------|--|----------|----------|----------|----------|--------------|----------|----------|----------|----------|--|
| Heat Input | kW Hs | 23.0 | 29.2 | 34.5 | 42.2 | 47.0 | 23.0 | 29.2 | 34.5 | 42.2 | 47.0 | |
| | kW Hi | 20.7 | 26.3 | 31.1 | 38.0 | 42.3 | 20.7 | 26.3 | 31.1 | 38.0 | 42.3 | |
| Seasonal efficiency | ErP % | 75.2 | 75.9 | 78.2 | 76.3 | 75.0 | 74.1 | 75.6 | 77.9 | 81.0 | 75.7 | |
| | BREEAM % | 91.1 | 90.3 | 87.5 | 89.9 | 88.8 | 92.6 | 91.7 | 88.1 | 90.9 | 87.4 | |
| Gas connection | BSP | 1/2" | | | | | | | | | | |
| Maximum gas consumption | Nat gas G20 (m³/h) | 1.40 | 2.15 | 2.73 | 3.23 | 3.95 | 4.40 | 1.40 | 2.15 | 2.73 | 3.23 | |
| | LPG G30 (m³/h) | 0.57 | 0.87 | 1.11 | 1.31 | 1.60 | 1.79 | 0.57 | 0.87 | 1.11 | 1.31 | |
| Gas inlet pressure | mbar | Natural gas - 20mbar | | | | | LPG - 37mbar | | | | | |
| Flue connection | Ømm | 127mm or 100mm | | | | | | | | | | |
| Inlet air connection | Ømm | 101mm | | | | | | | | | | |
| Supply voltage | V | 230V 50Hz 1PH N & E Current rating 0.55A External fuse rating - 3A | | | | | | | | | | |

Dimensional Data



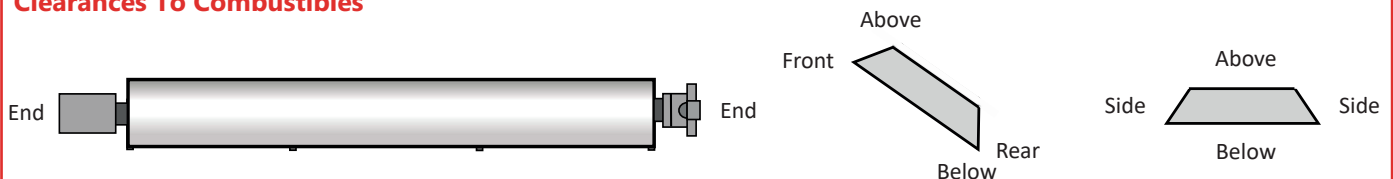
DIMENSIONAL DATA - ADU & ADL HB Series

| Models | | ADU 25HB | ADU 30HB | ADU 35HB | ADU 40HB | ADU 45HB | ADL 25HB | ADL 30HB | ADL 35HB | ADL 40HB | ADL 45HB |
|------------|----|----------|----------|----------|----------|----------|----------|----------|----------|----------|----------|
| Length (A) | mm | 5385 | 5510 | | 6970 | | 9800 | 9740 | | 12800 | |
| Width (B) | mm | 460 | 715 | | | | 340 | | | | |
| Height (C) | mm | 175 | 210 | | | | 180 | | | | |
| Weight | kg | 45 | 68 | | 81 | | 42 | 54 | | 70 | |

RECOMMENDED MOUNTING HEIGHT RANGE (General Guidance only) - ADU & ADL HB Series

| Models | | ADU & ADL25HB | ADU & ADL30HB | ADU & ADL35HB | ADU & ADL40HB | ADU & ADL45HB |
|----------------------|---|---------------|---------------|---------------|---------------|---------------|
| Horizontal mounting | m | 3.0 to 8.0 | 3.8 to 10.0 | 4.0 to 12.5 | 4.8 to 13.5 | 5.6 to 15.0 |
| Angled mounting >30° | m | 2.7 to 5.0 | 3.3 to 7.0 | 3.7 to 8.0 | 4.0 to 9.0 | 4.8 to 11.0 |

Clearances To Combustibles



MINIMUM CLEARANCES TO COMBUSTIBLE SURFACES - LRU & LRL HB Series

| Models | Side | Above | Below | End | Front | Rear |
|---------------------|-------|-------|--------|-------|-------|-------|
| LRU & LRL15 to 25HB | 510mm | 450mm | 1220mm | 510mm | 610mm | 305mm |
| LRU & LRL30 to 45HB | 760mm | 610mm | 2285mm | 610mm | 760mm | 380mm |



Tel: +44(0)1473 830 551

Fax: +44(0)1473 832055

www.spaceray.co.uk

info@spaceray.co.uk



Gas Fired Products (UK) Ltd
Chapel Lane
Claydon
Ipswich
Suffolk, IP6 0JL



FACTORIES: IPSWICH, ENGLAND - CHARLOTTE, N.C, U.S.A