



# SPACE-RAY

## INSTALLATION AND OPERATION INSTRUCTIONS

### *Double Linear*

## OVERHEAD RADIANT TUBE HEATERS

Models:

LRDL15, LRDL25, LRDL30, LRDL35, LRDL40, LRDL45

Single Stage Pull Through System (Negative Pressure)



0086



**OWNER / INSTALLER:** For your safety this manual must be carefully and thoroughly read and understood before installing, operating or servicing this heater. This heater is intended for use with either Natural Gas or Propane Gas. It must be installed by a qualified service person or a licensed contractor in accordance with state and local codes.

**▲ WARNING:** Improper installation, adjustment, alteration, service, or maintenance can cause property damage, injury or death. Read the installation, operation and maintenance instructions thoroughly before installing or servicing this equipment. For assistance or additional information, consult a qualified installer, service agency or the gas supplier.

**INSPECT** all combustion air openings into the building and, if necessary, clear if they become blocked.

**FOR YOUR SAFETY:** If the heater is installed without a flue, exhaust fans **MUST** be operating on an appropriate cycle when heaters are operating to avoid a high concentration of carbon monoxide. When used without fresh air, this heater may give off carbon monoxide, an odorless and poisonous gas. **CARBON MONOXIDE POISONING MAY LEAD TO DEATH.** Early signs of carbon monoxide poisoning resemble the flu with headaches, dizziness and nausea. If you experience these signs, **GET FRESH AIR IMMEDIATELY!** Have the heaters serviced as soon as possible and check the ventilation into the building.

**!INSTALLER:** This manual is the property of the owner. Please present this manual to the owner when you leave the job site.

### **IF YOU SMELL GAS:**

- ! **DO NOT** try to light any appliance.
- ! **DO NOT** touch any electrical switch; **DO NOT** use any telephone in your building.
- ! **IMMEDIATELY** call your gas supplier from a neighbor's telephone. Follow the gas supplier's instructions. If you cannot reach your gas supplier, call the fire department.

### **FOR YOUR SAFETY**

**DO NOT store or use gasoline or other flammable vapors and liquids in the vicinity of this or any other appliance.**

**!IMPORTANT: SAVE THIS MANUAL FOR FUTURE REFERENCE.**

**Gas Fired Products (UK) Ltd.**

Chapel Lane, Claydon, Ipswich, Suffolk IP6 0JL, England

Phone 01473 830551 Fax: 01473 832055 E-mail: [info@spaceray.co.uk](mailto:info@spaceray.co.uk) [www.spaceray.com.uk](http://www.spaceray.com.uk)

**TABLE OF CONTENTS**

<b>SECTION</b>	<b>DESCRIPTION</b>	<b>PAGE</b>
1.0)	Safety .....	2
2.0)	Installer Responsibility .....	2
3.0)	General Information .....	2
4.0)	Minimum Clearances to Combustibles .....	4
5.0)	Specifications (per each linear section) .....	5
6.0)	Packing List.....	7
7.0)	Dimensions – LINEAR Tube Configurations.....	9
7.1)	Heater Assembly Overview - LINEAR tube configurations .....	10
8.0)	Typical Suspension Methods .....	14
8.1)	Burner box support details.....	15
8.2)	Fan support details .....	16
8.3)	User Instruction Label.....	16
9.0)	Typical heater assembly .....	17
9.1)	Tube coupling details.....	18
9.2)	Inserting Turbulators.....	19
9.3)	Attaching burner Box Assembly.....	21
9.4)	Attaching Fan Assembly .....	22
10.0)	Gas Connections and Regulations.....	23
11.0)	Instructions for Pressure Test Gauge Connection.....	25
12.0)	Electrical Connections .....	27
13.0)	Venting and Fresh Air for Combustion.....	29
14.0)	Heater Operation.....	32
14.1)	Sequence of Operation.....	32
14.2)	Lighting and Shutdown Instructions.....	32
15.0)	Cleaning and Annual Maintenance .....	33
16.0)	Troubleshooting Guide .....	35
17.0)	Replacing Parts .....	37
17.1)	Removal of Electrodes .....	37
17.2)	Removing Main Burner.....	38
17.3)	Removing Injector .....	38
17.4)	Removing Ignition Control .....	39
17.5)	Removing Air Switch.....	39
17.6)	Removing Gas Valve and Manifold Assembly .....	40
17.7)	Removing Neon Indicator .....	40
17.8)	Removing Air Inlet Plate .....	41
17.9)	Removing the Fan.....	41
18.0)	Conversion Instructions .....	42
19.0)	Installation Data.....	42
20.0)	Replacement Parts Guide.....	43

## 1.0) SAFETY

This heater is a self-contained infrared radiant tube heater. Safety information required during installation and operation of this heater is provided in this manual and the labels on the product. The installation, service and maintenance of this heater must be performed by a contractor qualified in the installation and service of gas fired heating equipment.

All personnel in contact with the heater must read and understand all safety information, instructions and labels before operation. The following symbols will be used in this manual to indicate important safety information.



**Warning** instructions must be followed to prevent or avoid hazards which may cause serious injury, property damage or death.



**Caution** instructions must be followed to prevent incorrect operation or installation of the heater which may cause minor injury or property damage.

This appliance is not intended for use by persons (including children) with reduced physical, sensory or mental capabilities, or lack of experience and knowledge unless they have been given supervision or instruction concerning use of the appliance by a person responsible for their safety. Children should be supervised to ensure that they do not play with the appliance.

## 2.0) INSTALLER RESPONSIBILITY

The installer is responsible for the following:

- The heater and venting, as well as electrical and gas supplies must be installed in accordance with these installation instructions and any applicable codes and regulations.
- Every heater shall be located with respect to building construction and other equipment so as to permit access to the heater.
- Each installer must follow the clearances to combustible materials for the heaters.
- Install the heater so that the supports and hangers are correctly spaced in accordance with these instructions. The heater must be supported by materials having a working load limit of at least 52kg.
- Supply the owner with a copy of these Installation and Operation Instructions.
- Never use the heater as a support for a ladder or other access equipment. Do not hang anything from the heater.
- Supply all installation materials necessary that are not included with the heater.
- Check the nameplate to make sure that the burner is correct for the gas type in the building.
- Install the heater in accordance with best building practices.

## 3.0) GENERAL INFORMATION

This heater is a self-contained infrared radiant tube heater designed for use where flammable gases or vapors are not generally present.

Installation of this heater must be in accordance with all applicable codes shown in the instructions and/or the local codes and authorities having jurisdiction. In the UK all equipment must be installed and maintained in accordance with the relevant provisions of the Gas Safety (Installations and Use) Regulations 1998 for gas fired products. Installation practices must take into account the Health and Safety at Works Act 1974 or relevant codes of practice. In addition the installation must be carried out in accordance with the current IEE wiring regulations (BS 7671-latest revision), BS 6896-latest revision (Industrial & Commercial) and any other relevant British Standards and Codes of Practice by a qualified installer. All external wiring MUST comply with the current IEE wiring regulations.

Clearances to combustibles as outlined in the manual should always be observed. In areas used for storage of combustible materials where they may be stacked below the heater, the installer must post signs that will "specify the maximum permissible stacking height to maintain the required clearances from the heater to combustibles."

Every heater shall be located with respect to building construction and other equipment so as to permit access to the control housing. Each installer shall use skillful and reliable installation practices when locating the heaters and must give consideration to service accessibility.

This heater is for **NON-RESIDENTIAL INDOOR INSTALLATION ONLY** and is used in **VENTED or UNVENTED** mode. The term *Unvented* actually means *Indirect Vented*. While the products of combustion are expelled into the building, national codes require ventilation in the building to dilute these products of combustion. This ventilation must be provided by gravity or mechanical means. Ventilation requirements are addressed further in these instructions.

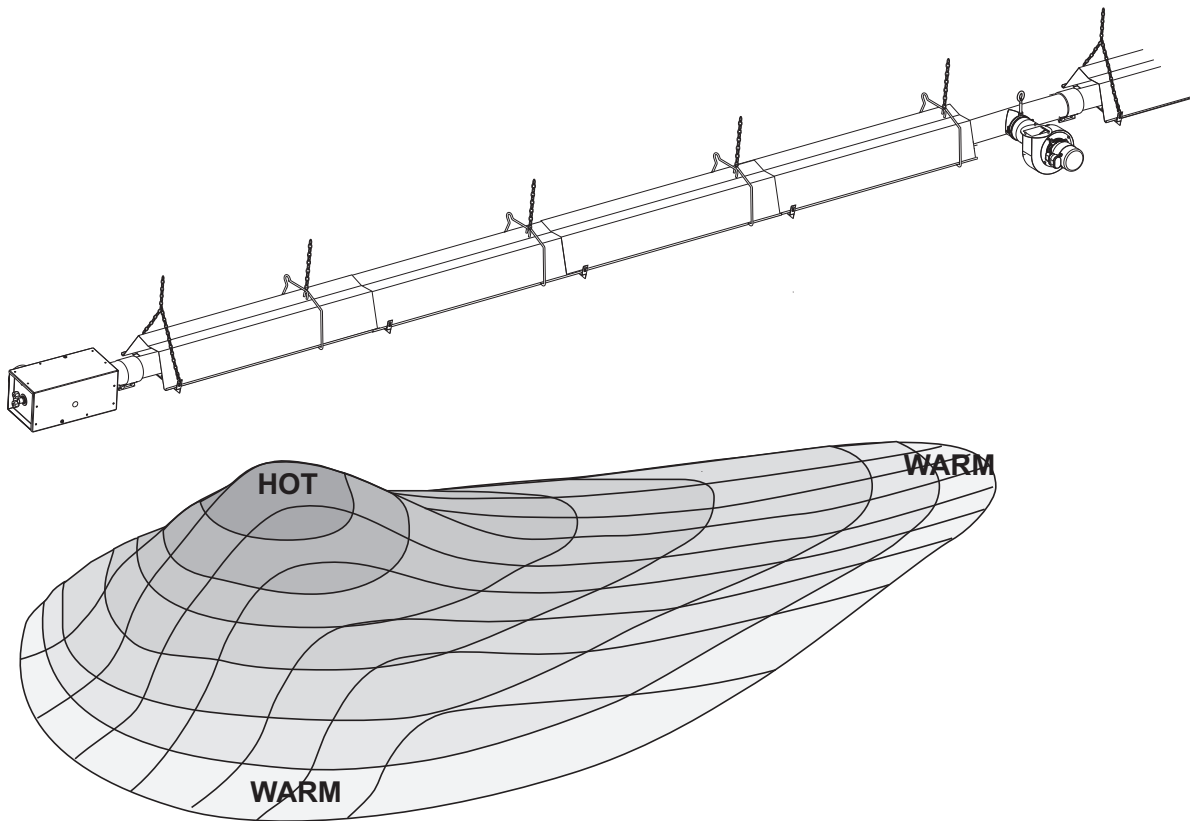
Before installation, check that the local distribution conditions, nature of gas and pressure, and adjustment of the appliance are compatible.

Although these heaters may be used in many applications other than space heating (e.g., process heating), Space-Ray will not recognize the warranty for any use other than space heating.

**This heater is not an explosion proof heater.** Where the possibility of exposure to volatile and low flash point materials exists, it could result in property damage or death. This heater must not be installed in a spray booth where the heater can operate during the spraying process. Consult your local fire marshal or insurance company.


Add text with regards to halogenated hydrocarbons.

**Linear Configuration Series Only:** Since linear configuration tube heaters are always hotter at the control end than at the flue terminal end, always observe the minimum recommended mounting heights.



**Fig. 1**

## 4.0) MINIMUM CLEARANCES TO COMBUSTIBLES

▲ WARNING		
		<h3 style="margin: 0;">FIRE AND EXPLOSION HAZARD</h3> <p>Combustible material must be located outside the clearance dimensions listed.</p> <p>Failure to do so may result in death, serious injury or property damage.</p>

Minimum clearances to combustibles shall be measured from the outer surfaces as shown in the following diagram:

Fig. 2

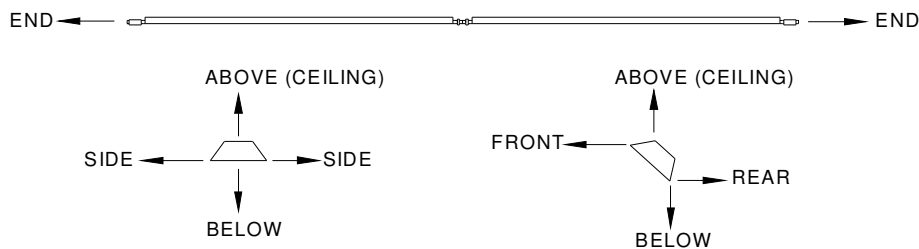


Table 1

MINIMUM CLEARANCES TO COMBUSTIBLES						
	Side	Above	Below	End	Front	Rear
LRDL15/25	510mm	450mm	1220mm	510mm	610mm	305mm
LRDL30/35/40/45	760mm	610mm	2285mm	610mm	760mm	380mm

**▲ WARNING:** Certain materials or objects, when stored under the heater, will be subjected to radiant heat and could be seriously damaged. Observe the Minimum Clearances to Combustibles listed in the manual and on the heater at all times.

**NOTE:**

1. The clearances specified above must be maintained to combustibles and other materials that may be damaged by temperatures 50°C above ambient temperature. Clearances to combustibles are posted on the control box. In areas used for storage of combustible materials where they may be stacked below the heater, NFPA54 requires that the installer must post signs that will “specify the maximum permissible stacking height to maintain the required clearances from the heater to combustibles.” Space-Ray recommends posting these signs adjacent to the heater thermostat or other suitable location that will provide enhanced visibility.

2. The stated clearance to combustibles represents a surface temperature of 50 °C above room temperature. Building materials with a low heat tolerance (such as plastics, vinyl siding, canvas, tri-ply, etc.) may be subject to degradation at lower temperatures. It is the installer’s responsibility to assure that adjacent materials are protected from degradation.

## 5.0) SPECIFICATIONS

Table 2

MODEL	LRDL15-N	LRDL15-L
Heat Input	2 x 15.0 kW Hs 13.5 kW Hi	
Appliance Type (II <sub>2H3P</sub> )	A <sub>2</sub> , B <sub>22</sub> , C <sub>12</sub> , C <sub>32</sub> , C <sub>52</sub>	
Appliance Category	II <sub>2H3P</sub>	
Adjusted for	2H G20 20mbar	3P G31 37mbar
Setting Pressure	12.5mbar	25mbar
Injector	No. 31	Ø2.0mm
Burner Baffle Plate	PN 4260360J	PN 4260360J
Fan Air Restrictor Plate	PN 4741061C	PN 42741061C
Electrical Supply	230V~50Hz 125W	
Fuse Externally	3A	
Dimensions	LRDL15: 10.763m x 0.34m	
Weight	LRDL15: 31kg	
Gas Connection	R - ½	
Flue Size	Ø150mm Note: Ø125 mm (5") allowable	

Table 3

MODEL	LRDL25-N	LRDL25-L
Heat Input	2 x 23.0 kW Hs 20.7 kW Hi	
Appliance Type (II <sub>2H3P</sub> )	A <sub>2</sub> , B <sub>22</sub> , C <sub>12</sub> , C <sub>32</sub> , C <sub>52</sub>	
Appliance Category	II <sub>2H3P</sub>	
Adjusted for	2H G20 20mbar	3P G31 37mbar
Setting Pressure	12.5mbar	25mbar
Injector	Ø3.8mm	No. 39
Burner Baffle Plate	PN 4260360D	PN 4260360D
Fan Air Restrictor Plate	PN 42603618D	PN 42603618D
Electrical Supply	230V~50Hz 125W	
Fuse Externally	3A	
Dimensions	LRDL25: 19.802m x 0.34m	
Weight	LRDL25: 92kg	
Gas Connection	R - ½	
Flue Size	Ø150mm	

Table 4

MODEL	LRDL30-N	LRDL30-L
Heat Input	2 x 29.2 kW Hs 26.3 kW Hi	
Appliance Type (II <sub>2H3P</sub> )	A <sub>2</sub> , B <sub>22</sub> , C <sub>12</sub> , C <sub>32</sub> , C <sub>52</sub>	
Appliance Category	II <sub>2H3P</sub>	
Adjusted for	2H G20 20mbar	3P G31 37mbar
Setting Pressure	12.5mbar	25mbar
Injector	No. 19	No. 34
Burner Baffle Plate	PN 4260360D	PN 4260360D
Fan Air Restrictor Plate	PN 42603618D	PN 42603618D
Electrical Supply	230V~50Hz 125W	
Fuse Externally	3A	
Dimensions	LRDL30: 19.802m x 0.34m	
Weight	LRDL30: 124kg	
Gas Connection	R - ½	
Flue Size	Ø150mm	

Table 5

MODEL	LRDL35-N	LRDL35-L
Heat Input	2 x 34.5 kW Hs 31.1 kW Hi	
Appliance Type (II <sub>2H3P</sub> )	A2, B <sub>22</sub> , C <sub>12</sub> , C <sub>32</sub> , C <sub>52</sub>	
Appliance Category	II <sub>2H3P</sub>	
Adjusted for	2H G20 20mbar	3P G31 37mbar
Setting Pressure	12.5mbar	25mbar
Injector	No. 15	Ø3.1mm
Burner Baffle Plate	PN 42760360E	PN 42760360E
Fan Air Restrictor Plate	PN 42603618G	PN 42603618G
Electrical Supply	230V~50Hz 125W	
Fuse Externally	3A	
Dimensions	LRDL35: 19.802m x 0.34m	
Weight	LRDL35: 62kg	
Gas Connection	R - ½	
Flue Size	Ø150mm	

Table 6

MODEL	LRDL40-N	LRDL40-L
Heat Input	2 x 42.2kW Hs 38.0kW Hi	
Appliance Type (II <sub>2H3P</sub> )	A2, B <sub>22</sub> , C <sub>12</sub> , C <sub>32</sub> , C <sub>52</sub>	
Appliance Category	II <sub>2H3P</sub>	
Adjusted for	2H G20 20mbar	3P G31 37mbar
Setting Pressure	12.5mbar	25mbar
Injector	Ø 5.0mm	Ø 3.3mm
Burner Baffle Plate	PN 4260360S	PN 4260360S
Fan Air Restrictor Plate	PN 42603618G	PN 42603618G
Electrical Supply	230V~50Hz 230W	
Fuse Externally	3A	
Dimensions	LRDL40: 25.948m x 0.34m	
Weight	LRDL40: 158kg	
Gas Connection	R - ½	
Flue Size	Ø150mm	

Table 7

MODEL	LRDL45-N	LRDL45-L
Heat Input	2 x 47.0 kW Hs 42.3 kW Hi	
Appliance Type (II <sub>2H3P</sub> )	A2, B <sub>22</sub> , C <sub>12</sub> , C <sub>32</sub> , C <sub>52</sub>	
Appliance Category	II <sub>2H3P</sub>	
Adjusted for	2H G20 20mbar	3P G31 37mbar
Setting Pressure	12.5mbar	25mbar
Injector	Ø 5.4mm	No. 28
Burner Baffle Plate	PN 4260360H	PN 4260360H
Fan Air Restrictor Plate	None	None
Electrical Supply	230V~50Hz 230W	
Fuse Externally	3A	
Dimensions	LRDL45: 25.948m x 0.34m	
Weight	LRDL45: 158kg	
Gas Connection	R - ½	
Flue Size	Ø150mm	

Table 8 Flue Data

Model			Flue Gas Mass Flow Rate (kg/s)	Flue Pressure (Pa)	Flue Gas Temperature (°C)
LRDL	15	N	0.0171	10-12	135-185
LRDL	15	L	0.0171	10-12	135-185
LRDL	25	N	0.0256	12-15	135-185
LRDL	25	L	0.0251	12-15	135-185
LRDL	30	N	0.0305	15-20	120-170
LRDL	30	L	0.0294	15-20	120-170
LRDL	35	N	0.0380	17-22	190-240
LRDL	35	L	0.0374	17-22	190-240
LRDL	40	N	0.0439	22-28	160-210
LRDL	40	L	0.0478	22-28	160-210
LRDL	45	N	0.0547	25-35	225-275
LRDL	45	L	0.0577	25-35	225-275

## 6.0) PACKING LIST

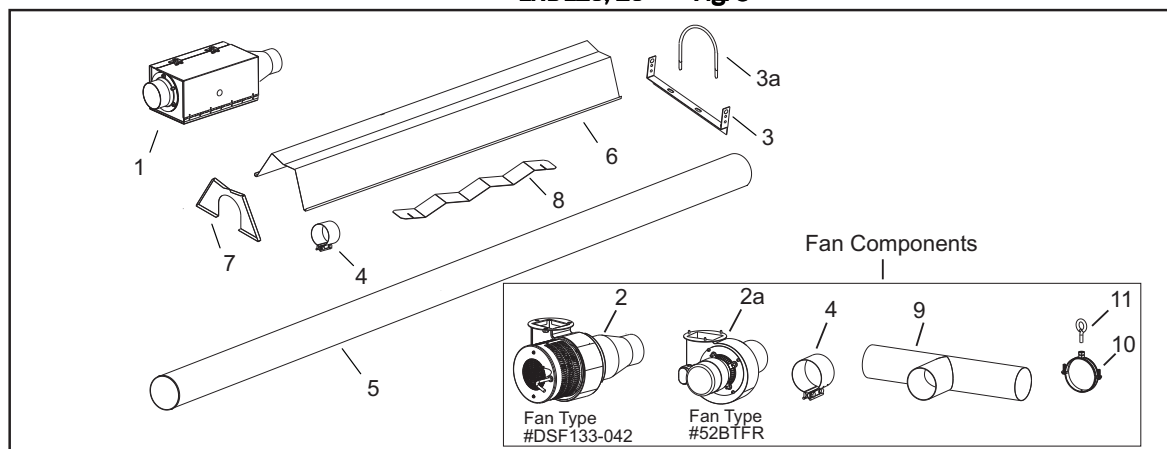
### 6.1 LRDL15/25

The appliances are supplied as follows:-

Table 9

REF	PART NO.	MODEL	LRDL15	LRDL25
		Carton (containing the following)	1	1
		Fastenings Pack	1	1
1		Burner Box Assembly	2	2
2	44438050	Fan – #DSF133-042 – (Ø 76.2)	1	-
2a	44438520	Fan – #52BTFR – (Ø 76.2)	-	1
3	43318000	Hanger Brackets	6	8
3a	42770000	U-Bolt (included in fastenings pack)	6	8
4	30462990	Torctite Coupling	5	7
5	42766000	Radiant Tube (Ø 76.2 x 4572)	2	4
6	43319100	Reflector Panel (3035 long)	2	6
6a	43319050	Reflector Panel (1511 long)	2	-
7	43320000	Reflector End Panel	4	4
8	44152248	Turbulator (65mm x 572mm)	0	8
9	44534030	Tee Section - (Ø 76.2)	1	1
10	42679279	Hanger Clamp - (Ø 76.2)	1	1
11	02326010	M10 Eyebolt	1	1

LRDL15, 25 Fig 3





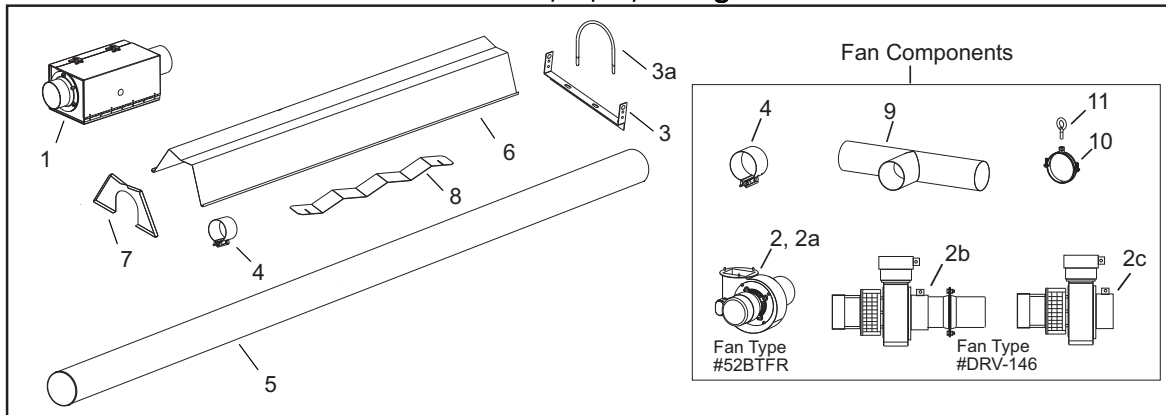
**6.2 LRDL30/35  
LRDL40/45**

The appliances are supplied as follows:-

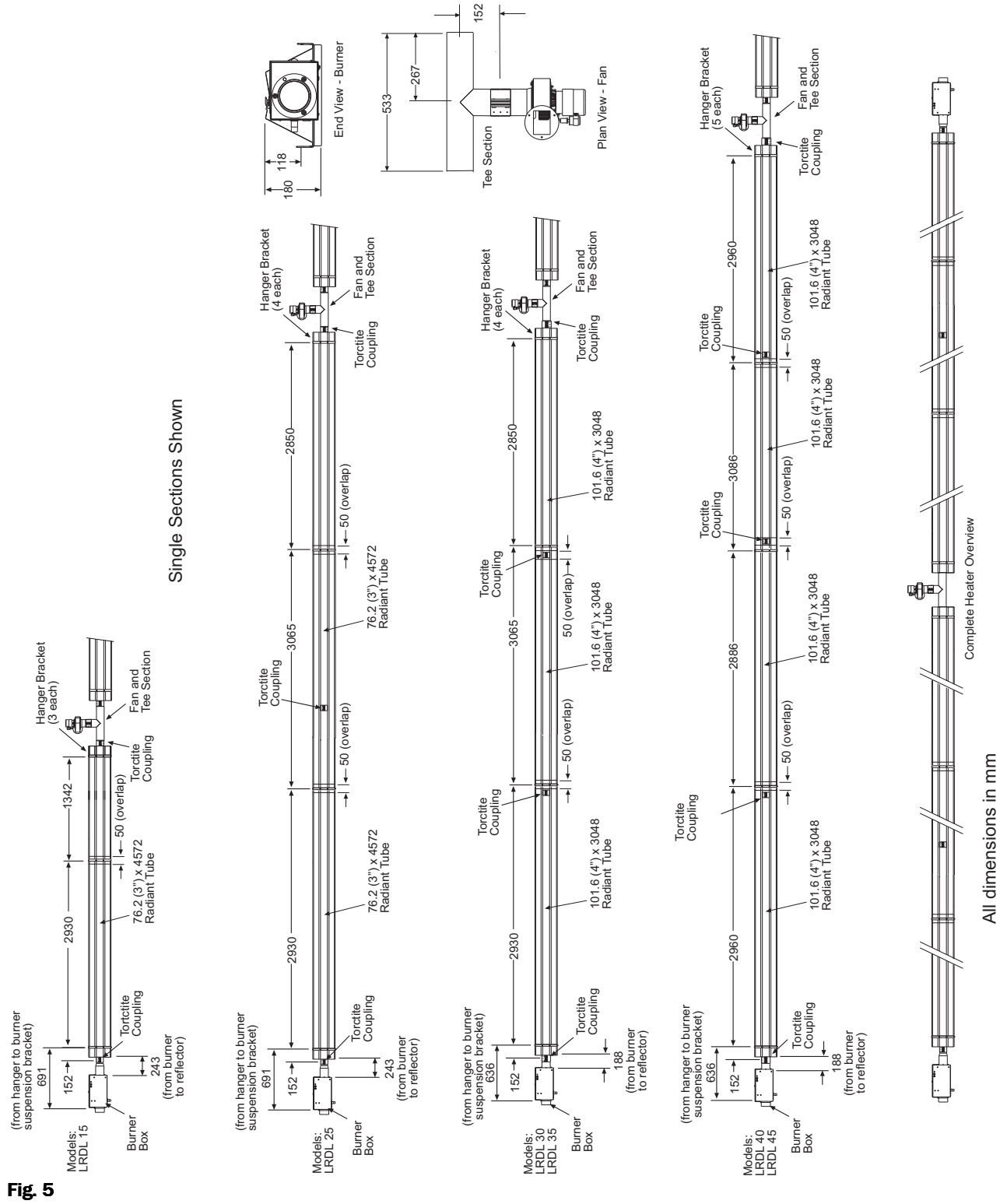
Table 10

REF	PART NO.	MODEL	LRDL30	LRDL35	LRDL40	LRDL45
		Carton (containing the following)	1	1	1	1
		Fastenings Pack	1	1	1	1
1		Burner Box Assembly	2	2	2	2
2	44438530	Fan - #52BTFR - (Ø 101.6)	1	-	-	-
2a	44438540	Fan - #52BTFR - (Ø 101.6)	-	1	-	-
2b	44438250	Fan - #DRV-146 - (Ø 101.6)	-	-	1	-
2c	30793000	Fan - #DRV-146 - (Ø 101.6)	-	-	-	1
3	43318000	Hanger Brackets	8	8	10	10
3a	42873000	U-Bolt (included in fastenings pack)	8	8	10	10
4	30462980	Torcite Coupling	9	9	11	10
5	41932100	Radiant Tube (Ø 101.6 x 3048)	6	6	8	8
6	44152240	Turbulator (90mm x 610mm)	18	10	6	-
7	43319100	Reflector Panel (3035 long)	6	6	8	8
8	43320000	Reflector End Panel	4	4	4	4
9	44534040	Tee Section - (Ø 101.6)	1	1	1	1
10	42679289	Hanger Clamp - (Ø 101.6)	1	1	1	1
11	02326010	M10 Eyebolt	1	1	1	1

**LRDL30, 35, 40, 45 Fig. 4**



# 7.0) DIMENSIONS - LINEAR TUBE CONFIGURATIONS



7.1) HEATER ASSEMBLY OVERVIEW - LINEAR TUBE CONFIGURATIONS

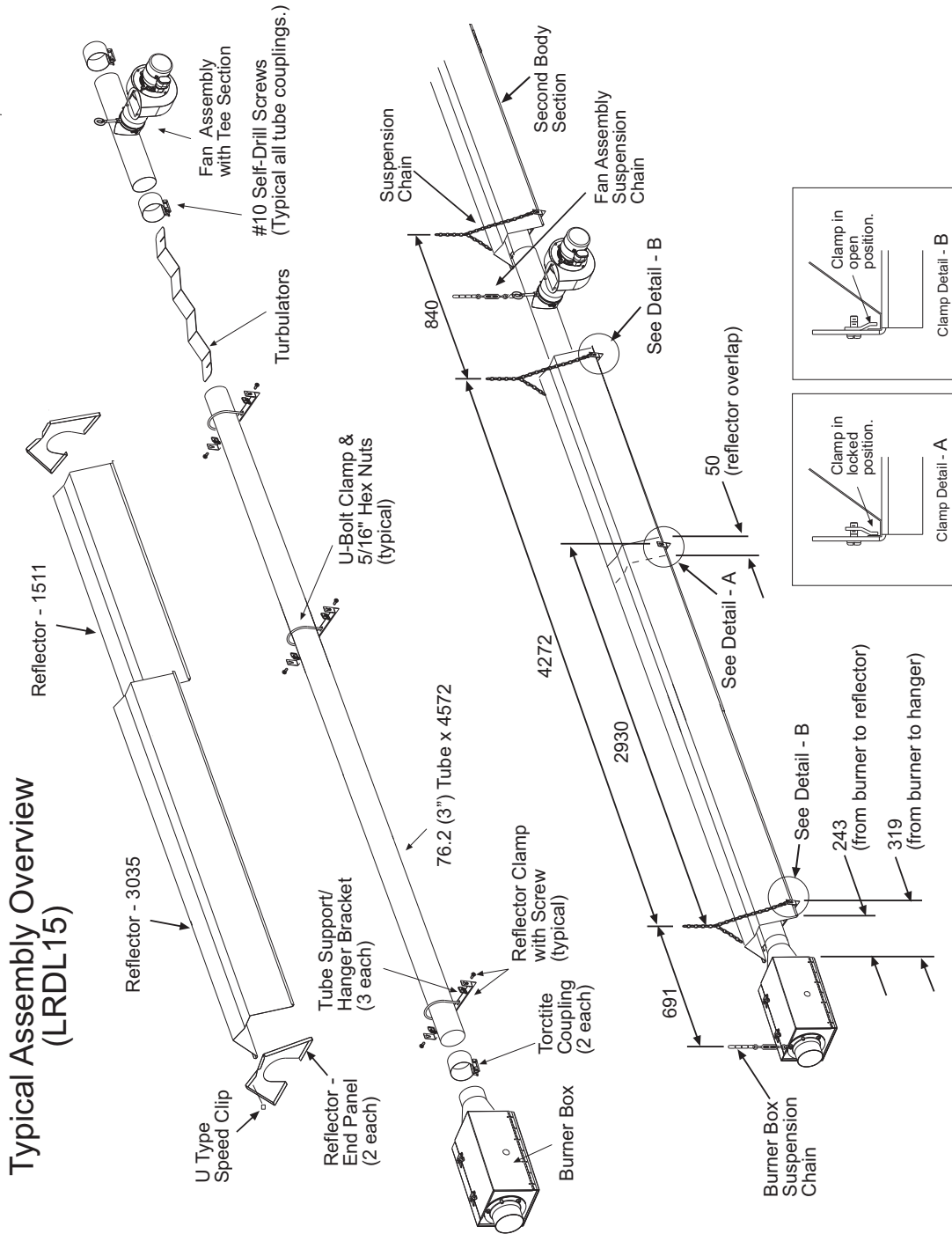
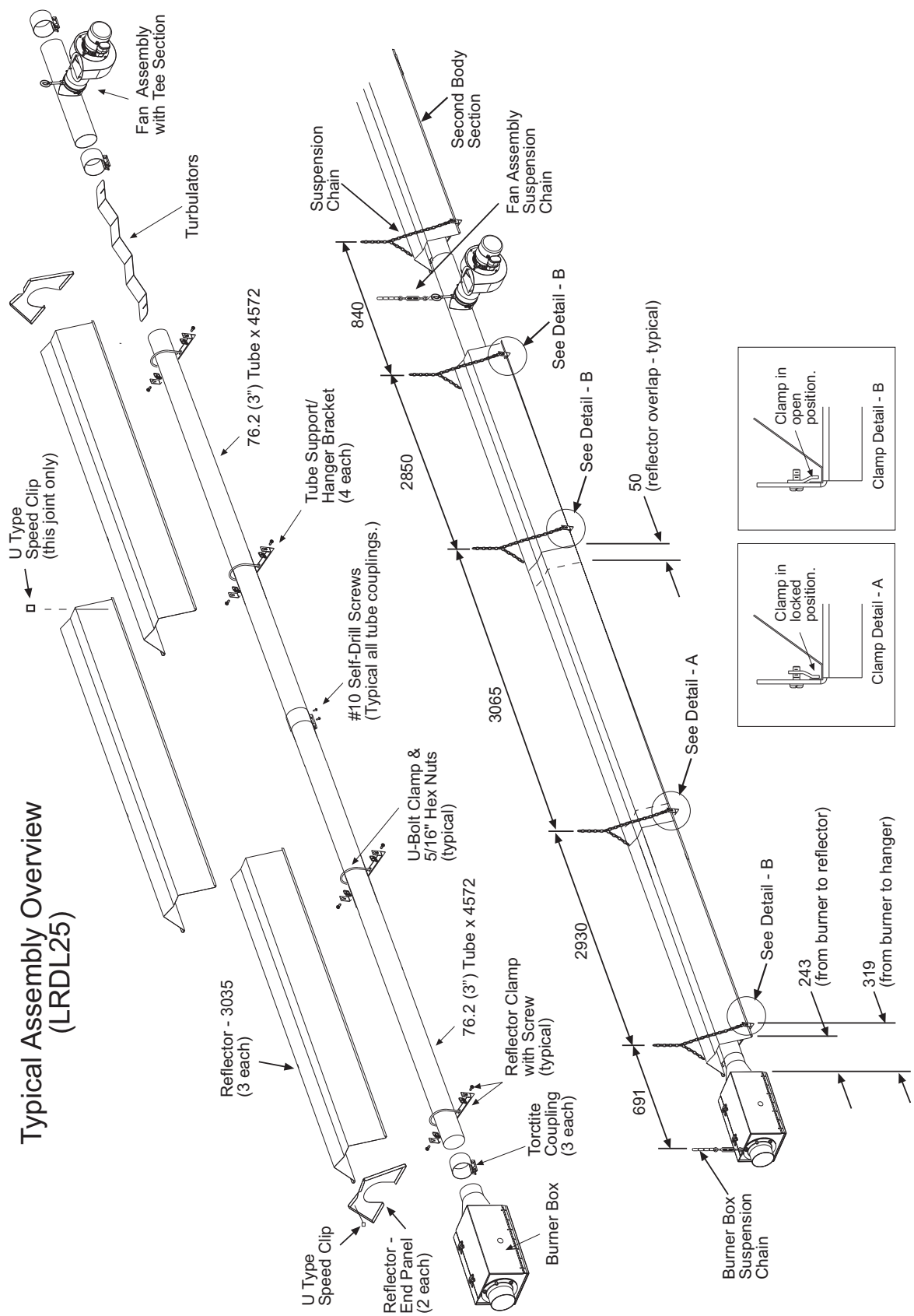


Fig 6



**Fig. 6a**

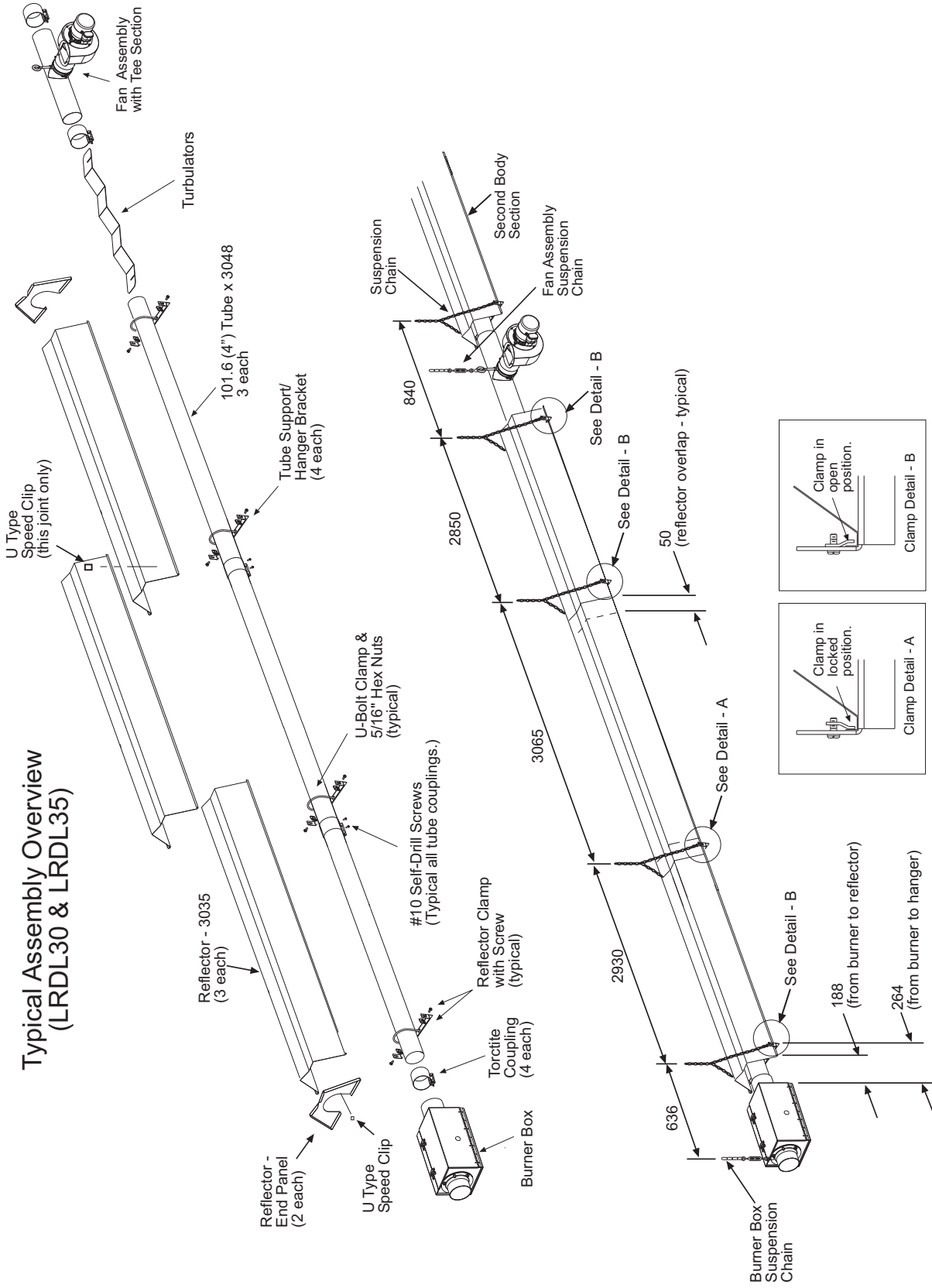
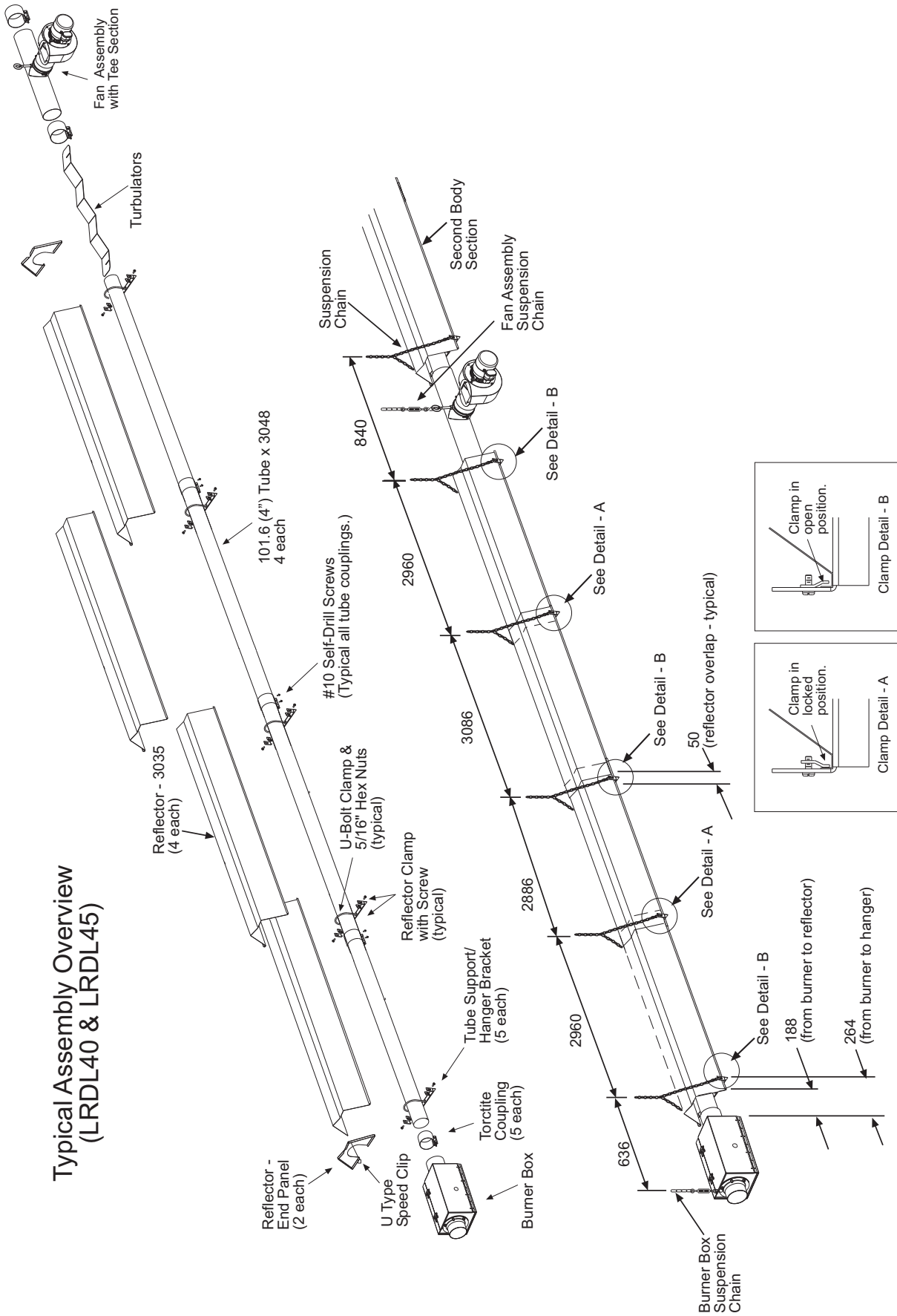



Fig 7



**Fig. 8**

## 8.0) TYPICAL SUSPENSION METHODS

Notwithstanding their limited scope, the appliance should be installed in accordance with the relevant provisions of any National Gas Safety (Installation and Use) Regulations. Due account should also be taken of any obligations arising from any National Health and Safety at Work Regulations, National and Local Building Regulations and National Electrical Wiring Regulations. The appliance must be installed, and where necessary, converted for use on other gases, by a qualified installer.

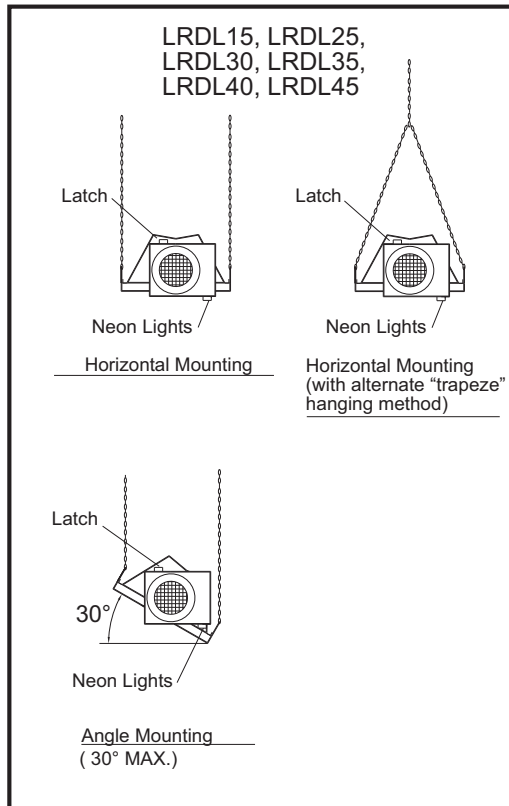
<b>⚠ WARNING</b>	
	<b>CRUSH HAZARD</b> Burner must be secured to the mounting flange with nuts. All materials used to suspend the heater must have a minimum working load of 52kg. All "S" Hooks must be crimped closed. Never use the heater to support a ladder or other access equipment. Failure to do so may result in death, serious injury or property damage.

Various means of suspending the heater can be used. See the following drawings for typical examples.

- a. Use only noncombustible materials for suspending hangers and brackets.
- b. **Linear Tube Heaters** should be suspended to provide a slope of 0.25 degree **up** to the fan (25 to 50mm). The appliance should be located with respect to building construction and other equipment to permit access to the appliance for servicing etc.
- c. Turnbuckles can be used with chains to allow leveling of the heater. All "S" hooks and eye bolts must be manually crimped closed by the installer.
- d. For suspending the appliance it is recommended that suitable protected welded chain ( $\emptyset$  3mm x 65 links per m) or  $\emptyset$  8mm min mild steel drop rods and suitable brackets are used. Attach the chains or drop rods to the hanger brackets where shown providing at least  $\emptyset$  5mm closed link hooks are used chains may be attached directly to the hanger brackets.
- e. Heaters subject to vibration must be provided with vibration isolating hangers.
- f. Heaters must not be supported by gas or electric supply lines and must be suspended from a permanent structure with adequate load capacity.
- g. Hanging points are fixed along the length of heater to accommodate trim pieces. Secondary steel work may be required to span between supporting beams.
- h. The appliance should be located with respect to building construction and other equipment to permit access to the appliance for servicing etc.

Space-Ray recommends that the body sections be suspended using chains with turnbuckles. This will allow slight adjustments after assembly and heater expansion/ contraction during operation.

If a "trapeze" method is used for tube support/hanger brackets (shown below), the minimum chain length for the two connecting chains is 914 mm to minimize any vibration that might be generated by the draft inducer assembly. If these chains must be less than 914 mm, then do not use the trapeze method and, instead, use individual chains on each tube support/hanger bracket.

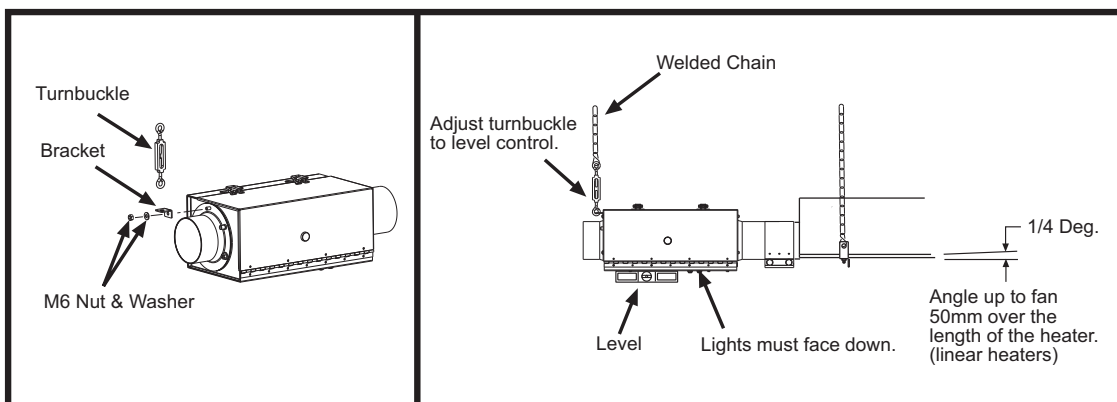


**Fig 9**

## 8.1) BURNER BOX SUPPORT DETAILS

1. The burner box must be supported with welded chain ( $\varnothing$  3mm x 65 links per m) or  $\varnothing$  8mm min mild steel drop rods and suitable brackets after overall heater suspension is complete. This is to prevent burner from sagging which may cause the tube to burn out. Assemble bracket and turnbuckle to inlet end of burner as shown.

**Fig 10**



2. Adjust the turnbuckle until control box is level. Use a leveling device to verify.



### CAUTION

Failure to install the burner box suspension chain vertically will void the manufacturers warranty.



### CAUTION

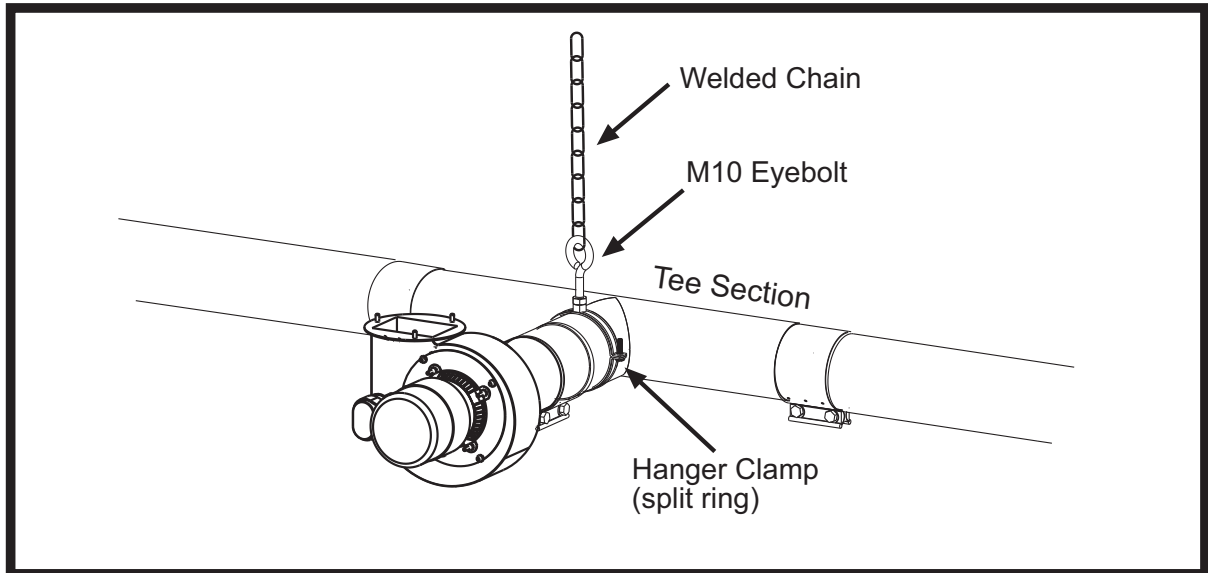
Linear heaters must be angled up from the burner box. Failure to do so may result in overheating of internal components resulting in equipment failure.



## 8.2) FAN SUPPORT DETAILS

1. The fan assembly must be supported with suitable welded chain chain ( $\varnothing$  3mm x 65 links per m) or  $\varnothing$  8mm min mild steel drop rods and suitable brackets after overall heater suspension is complete.
2. Attach the tube hanger clamp (split ring) to the branch outlet of the tee section as shown. Attach the chains or drop rods to the M10 eyebolt of the tube hanger clamp.

Fig. 11



## 8.3) USER INSTRUCTION LABEL

The User Instruction label shown below is supplied with each heater. Affix this label adjacent to low level user controls, such as thermostats, time clocks or control panels.

**OVERHEAD RADIANT HEATER OPERATING INSTRUCTIONS**

1. TURN ON GAS SUPPLY.
2. SET TIME SWITCHES OR THERMOSTATS TO DEMAND HEAT.
3. SWITCH ON ELECTRICITY SUPPLY. RED NEON INDICATOR "ON".
4. BURNER SHOULD IGNITE WITHIN 30 SECONDS, RED AND AMBER NEON INDICATOR "ON".
5. IF IGNITION IS NOT ACHIEVED DURING 10 SECOND IGNITION PERIOD LOCKOUT OCCURS. THIS IS INDICATED BY THE AMBER NEON "OFF". INTERRUPT ELECTRICITY SUPPLY TO APPLIANCE FOR 15 SECONDS TO RESET IGNITION CONTROL. IF A FIRST RESET IS NOT SUCCESSFUL, WAIT AT LEAST 15 SECONDS BEFORE REPEATING PROCEDURE.
6. IF FLAME IS LOST DURING NORMAL RUNNING, THE AUTOMATIC IGNITION CONTROL WILL REPEAT START PROCEDURE AS AT 4 ABOVE.
7. IF THE APPLIANCE FAILS TO IGNITE AFTER SECOND START SEQUENCE, SWITCH OFF ELECTRICITY SUPPLY TO APPLIANCE AND CALL SERVICE ENGINEER.
8. TO SHUT DOWN APPLIANCE, TURN OFF GAS AND ELECTRICITY SUPPLIES.

AFFIX THIS LABEL ADJACENT TO LOW LEVEL USER CONTROL.

4260440  
rev A

Fig. 12

## 9.0) TYPICAL HEATER ASSEMBLY

### WARNING



#### CUT HAZARD

Sheet metal parts, particularly reflectors and vent have sharp edges. Always use gloves when handling.

Failure to do so may result in death, serious injury or property damage.

See heater dimensions and assembly overview (**Sections 7**) for each **Linear model** configurations.

During field assembly of the heater body sections, the recommended procedure is as follows:

1. Determine the actual layout of the system first before hanging heater sections. Consideration must also be taken for flue pipe, fresh air ducting, gas piping, clearances to combustibles, etc. before hanging heater.
2. Install the heater suspensions using chains or other type methods outlined in Section 8 "**Typical Suspension Methods**". Space these per the assembly overview for each heater.
3. Space two (2) **tube support/hanger brackets** at distances indicated in each assembly overview for the first tube section. **Note:** The distances are measured from center of the slotted holes of each support/hanger bracket.
4. Place **tubes** over these brackets with the welded seam facing down toward the ground. **Failure to assemble the tube with the seam facing down will void the manufacturer's warranty.** Secure the tubes to each support/hanger bracket using U-bolt clamps and 5/16-18 nuts provided.
5. Raise the tube section up to the suspension chain (or other methods), using "S" hooks to attach the tube support brackets. Hang each tube section individually. **DO NOT** assemble all of the heater tube sections together on the ground and attempt to hang the entire system. Provide a slope of 0.25 degree up to the fan on **linear tube heaters**.
6. Continue to pre-assemble and hang each additional section as before. Join each section together using Torctite couplings as described in Section 9.1 "**Tube Coupling Details**".
7. Insert **turbulators** (where required) into the tube sections as shown in Section 9.2 "**Inserting Turbulators**".
8. Attach **burner box** and **fan assembly** as shown in Sections 9.3 and 9.4 respectively.
9. Place **main body reflector panels** over each of the tube support/hanger brackets installed above.
10. Slide reflector panels and space between burner box and U-bend (U-model heaters only) as indicated on heater dimension drawings. Reflectors must overlap approximately as shown on the dimension drawings.
11. Secure reflectors to tube support/hanger brackets using the screws and clamps (supplied in fastening kits). **Note:** Refer to **details A** or **B** of each assembly overview drawing for the required **open** or **closed** positions of the clamps. These positions enable reflectors to slide or remain stationary during operation of heater.
12. Place **end reflector panels** flush to each end of main heater reflector panels and secure by spacing two (2) U-type speed clips (supplied in fastening kits) evenly on edges of each reflector flange.
13. Make all final gas and electric connections as outlined later in the instructions.
14. Affix user instruction label adjacent to controls. See section 8.3.




### CAUTION

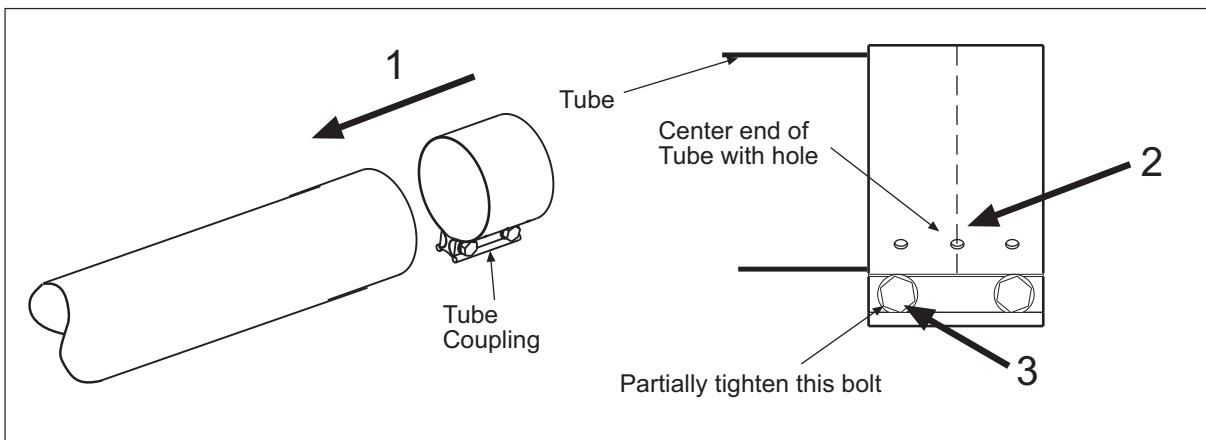
**Failure to assemble the tube with the seam facing down will void the manufacturer's warranty.**

## 9.1) TUBE COUPLING DETAILS

Join the tube sections together and secure with tube couplings as described below. Note: The heater tube section should be provided a slope of 0.25 degree up to the fan.

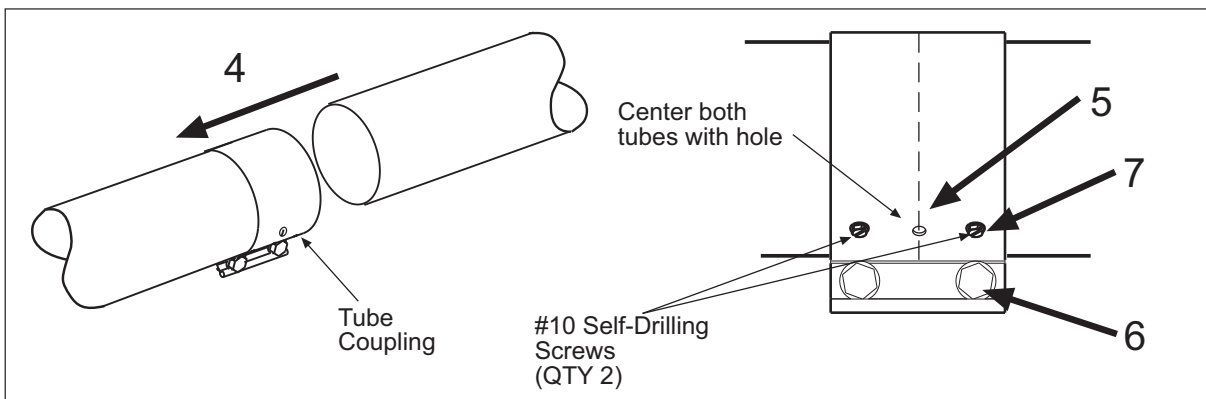
<b>⚠ WARNING</b>	
	<p><b>SUSPENSION HAZARD</b></p> <p>The following coupling tightening instructions <b>MUST</b> be followed properly to ensure the integrity of the tube connections. Two #10 self-drilling screws <b>MUST</b> be installed at every coupling as shown in the instructions below. Failure to do so may result in death, serious injury or property damage.</p>

1. Place the compression coupling over the end of the tube.
2. Use the small hole at the centerline of the coupling to check that the coupling is inserted correctly.
3. Partially tighten the bolt nearest the end of the tube (approximately half closed).



**Fig. 13**

4. Slide the next tube into the coupling.
  5. Make sure both tube ends are butted together.
  6. Finish tightening both bolts to 54-80 N·m torque to ensure a complete seal.
- NOTE:** Tighten the Torctite Coupling bolts alternately while continually checking for slackness of the joint.
7. Use the two self-drilling screws through the pre-punched holes to secure the tubes in the coupling.



**Fig. 13a**

8. Check to ensure that the hardware is completely closed and the band is seated on the reaction block and interference pins as illustrated above.
9. Once all the heater body sections are attached, make sure that the heater system is sloped up to the fan. If it is not, slight adjustments can be made using the turnbuckles. (See Section 8.1)

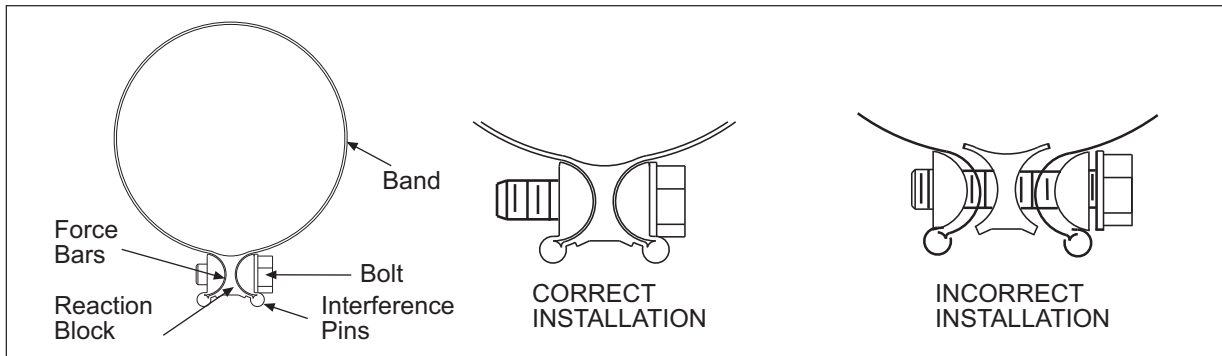


Fig. 13b



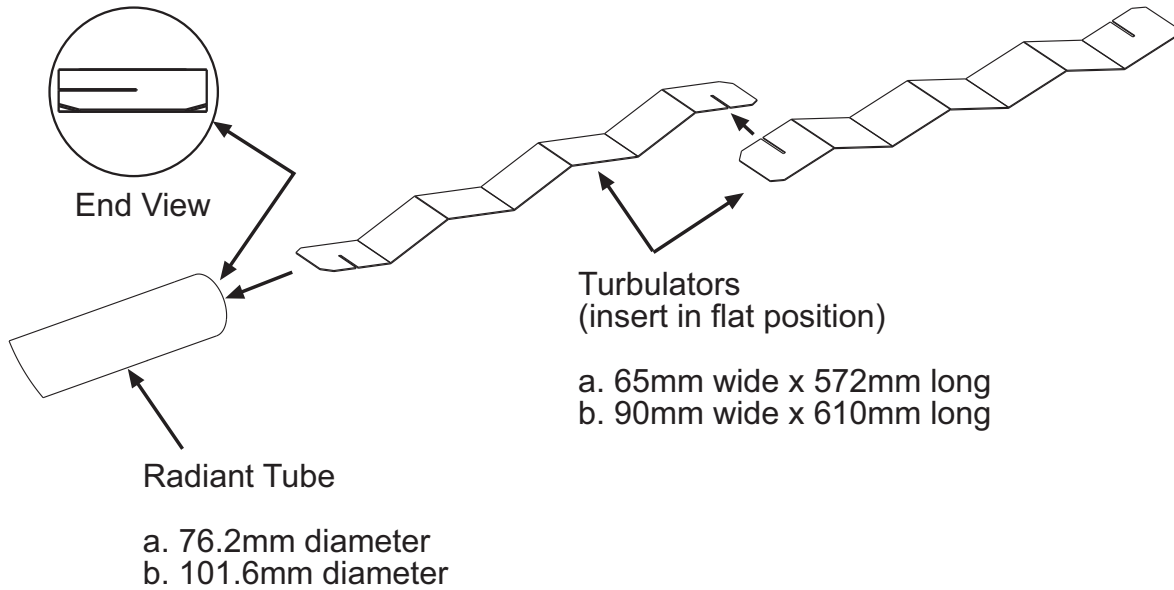
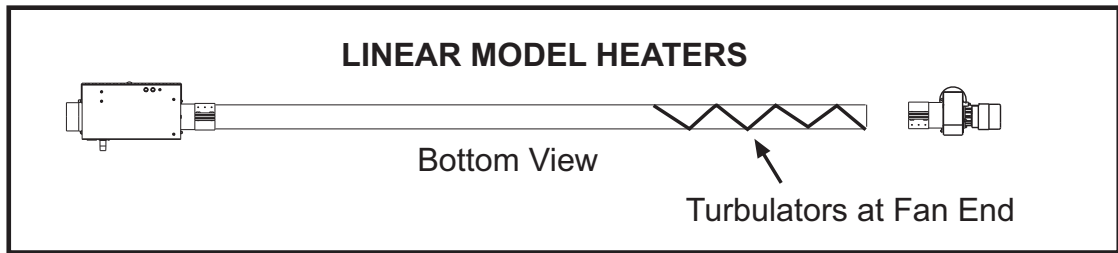
**Important: NEVER reuse a coupling. Always install a new coupling only and torque as per instructions above and the diagrams above.**

## 9.2) INSERTING TURBULATORS

<b>⚠ WARNING</b>	
	<p><b>CARBON MONOXIDE HAZARD</b></p> <p>The heater must be assembled with the correct number of turbulator sections and tube length for the rated heat input.</p> <p>The turbulator must be installed in the last tube section as shown.</p> <p>Failure to do so may result in death, serious injury, property damage or illness from Carbon Monoxide poisoning.</p>

1. Assemble the **turbulators** together by interlocking the slotted end portions.
2. Slide these into the last tube section located at the fan as shown for **Linear Model** heaters.
3. Align **turbulator** end flush with end of tube.

**Note:** Refer to the table below for quantities of **turbulators** required for each heater section.

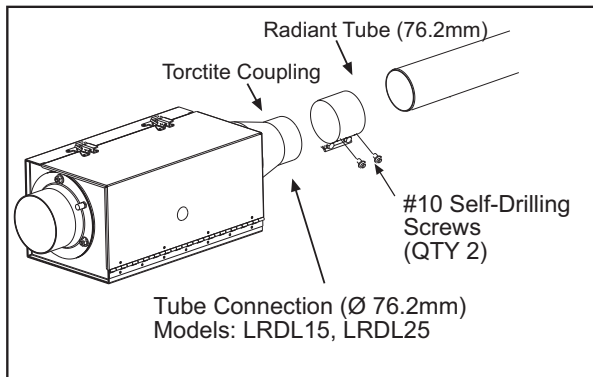
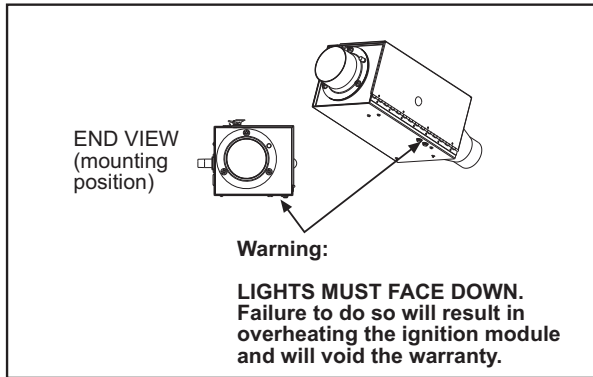


**Fig. 14**

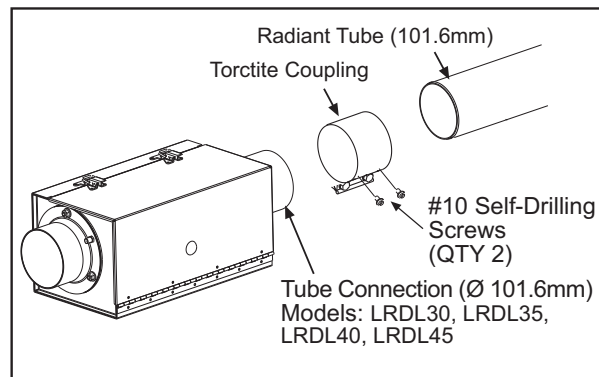
**Table 11**

MODEL	Turbulator Sections	Linear Model Heaters	
		Fan End	
LRDL 15	65mm x 572mm	-	
LRDL 25	65mm x 572mm	4	
LRDL 30	90mm x 610mm	9	
LRDL 35	90mm x 610mm	5	
LRDL 40	90mm x 610mm	3	
LRDL 45	90mm x 610mm	-	

### 9.3) ATTACHING BURNER BOX ASSEMBLY



**Fig. 15**

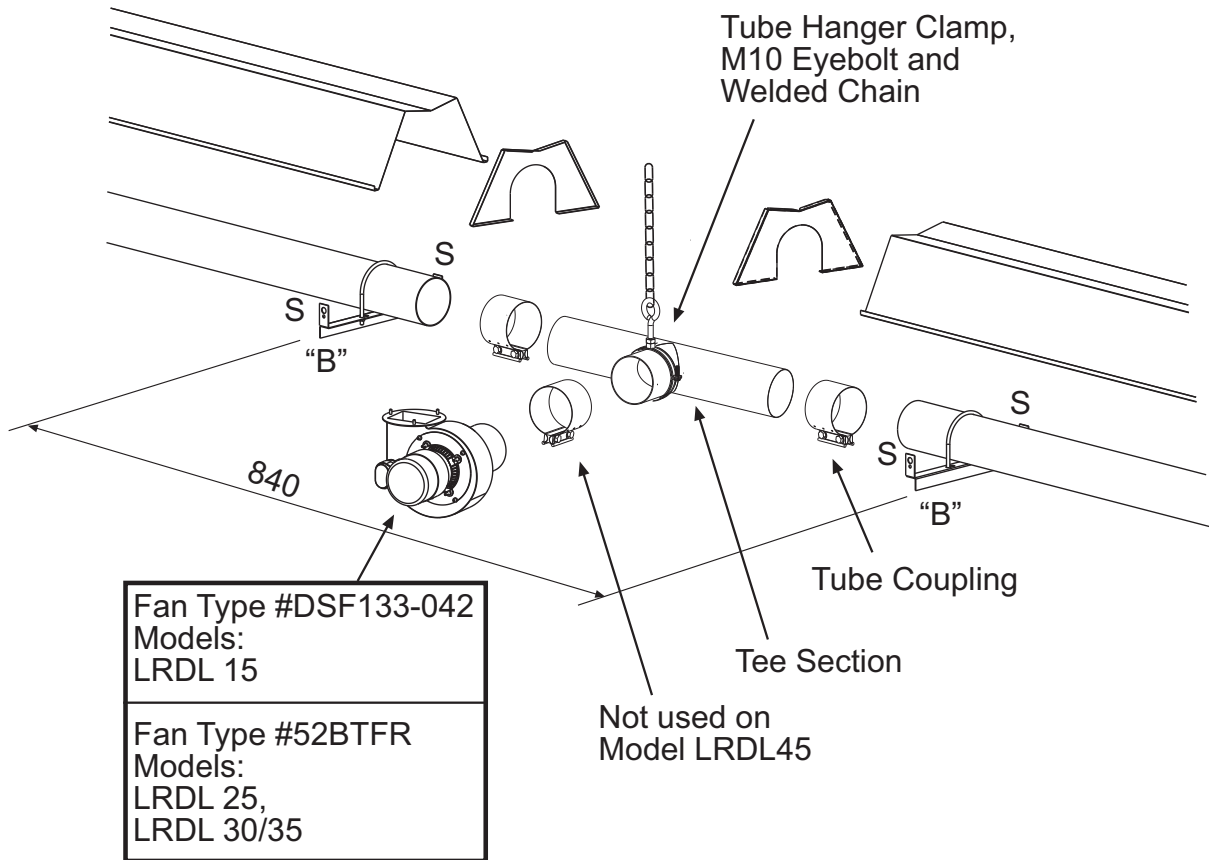


**Fig. 16**

- Place a Torcrite Coupling over the end of the Radiant Tube (refer to Section 9.1 "Tube Coupling Details").
- Assemble the **Burner Box** to the Radiant Tube ensuring that it engages fully into the Torcrite Coupling and is positioned vertically. Tighten the bolts of the Torcrite Coupling to secure the **Burner Box** to the Radiant Tube, taking care to support the **Burner Box** in line with the axis of the tube.

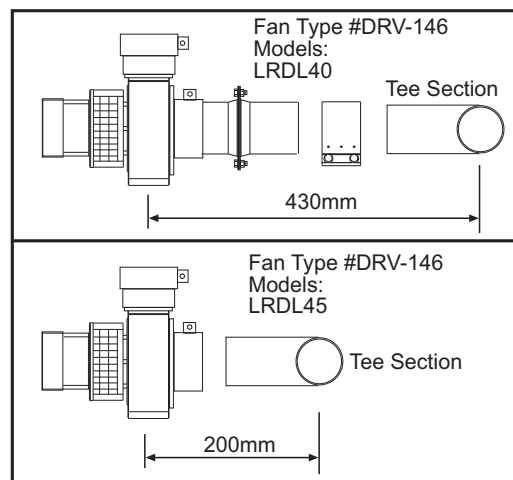
**NOTE:** Tighten the Torcrite Coupling bolts alternately while continually checking for slackness of the joint.

## 9.4) ATTACHING FAN ASSEMBLY



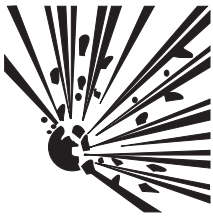

**Fig. 17**

- Place a Torcrite Coupling over each end of the Radiant Tubes and the ends of the Tee Section. (refer to Section 9.1 "Tube Coupling Details"). **NOTE: Models LRDL45 are NOT equipped with a Torcrite Coupling on the Fan Assembly.**
- Assemble the **Fan Assembly** to the Tee Section outlet and position the fan outlet pointing upwards for flueless applications. Tighten the bolts of the Torcrite Coupling to secure the **Fan Assembly** to the Tee Section, taking care to support the **Fan Assembly** in line with the axis of the tube.



**Fig. 18**

## 10.0) GAS CONNECTIONS AND REGULATIONS

⚠ WARNING		
		<p style="text-align: center;"><b>FIRE AND EXPLOSION HAZARD</b></p> <p>Tighten flexible gas hose and components securely.</p> <p>Flexible metal gas hoses must be installed without any twists or kinks in them. The hose will move during operation of the heater and it can crack if it is twisted.</p> <p><b>DO NOT</b> use an open flame of any kind to test for leaks.</p> <p>Failure to do so may result in death, serious injury or property damage.</p>

### IMPORTANT BEFORE CONNECTING THE GAS TO THE HEATER

- a. Connect to the supply tank or manifold in accordance with state or local building codes. Authorities having jurisdiction should be consulted before the installation is made.
- b. Check that the gas fuel on the burner rating plate matches the fuel for the application.
- c. Check that the gas supply piping has the capacity for the total gas consumption of the heaters and any other equipment connected to the line.
- d. Check that the calculated supply pressure with all gas appliances and heaters operating will not drop below the minimum supply pressure required for these heaters. See Table 12 Below.

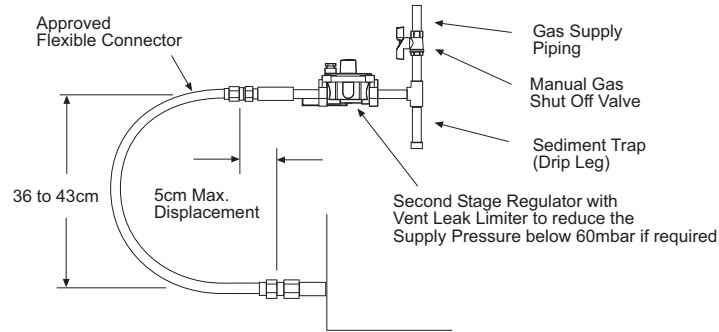
Table 12

Gas type	Appliance Category	Nominal Supply Pressure	Maximum Supply Pressure	Minimum Supply Pressure	Setting Pressure
Natural Gas (G20)	2H	20 mbar	25 mbar	17 mbar	12.5 mbar
LPG (G31)	3P	37 mbar	45 mbar	30 mbar	25 mbar

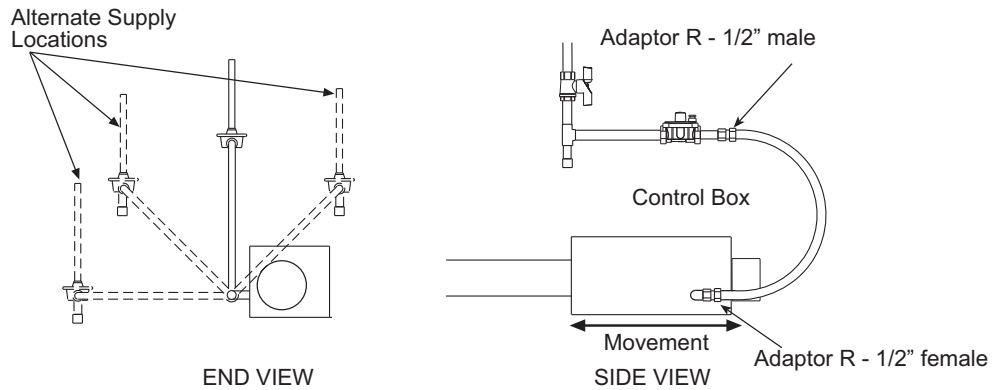
- e. All gas supply lines must be located in accordance with the required clearances to combustibles from the heater as listed on the clearances label of the heater and (Section 4.0) of this manual.
- f. Pipe joint compounds must be resistant to the action of liquefied petroleum gases.
- g. Tube heaters will expand/contract during operation. Use an approved flexible connector for connections between the rigid piping and the heater. Minimum size to be ½" (12.7mm x 1m long) bore. A union should be installed before the control box inlet. An approved shut off valve should be installed within 1.8m of the union.
- h. The gas pipe, flexible hose and connections must be self-supporting. The gas pipe work must not bear any of the weight of the heater or any other suspended assembly.
- i. This appliance is equipped with a step-opening, combination gas valve. **The maximum supply pressure to the appliance is 60 mbar.** If the line pressure is more than the maximum supply pressure, then a second stage regulator which corresponds to the supply pressure must be used.
- j. After all gas connections have been made, make sure the heater and all gas outlets are turned off before the main gas supply is turned on slowly. Turn the gas supply pressure on and check for leaks.
- k. If a 2nd stage regulator is used, the ball valve down-stream in the supply line must be closed when purging the gas lines to prevent gas seeping through it. If initial gas pressure is higher than 60 mbar the redundant combination gas valve is designed to lock out. Pressure build-up in the supply lines prior to the heater must be released before proper heater operation.
- l. High gas pressure regulators need to be installed upstream of flexible gas lines.
- m. The entire gas supply system must be checked for leaks prior to heater operation.



## KEY DIMENSIONS AND COMPONENTS OF THE GAS CONNECTIONS

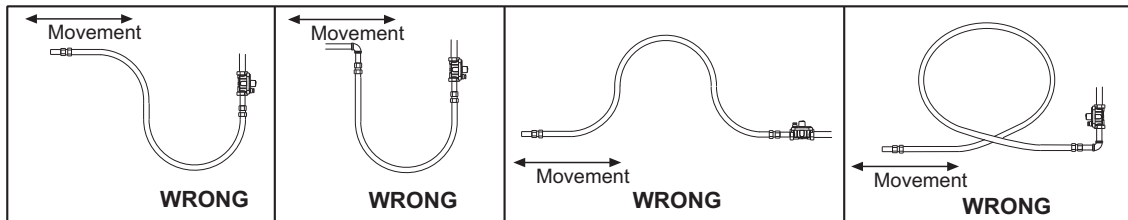


**Fig. 19**



**Fig. 20**

## INCORRECT POSITIONS



**Fig. 21**

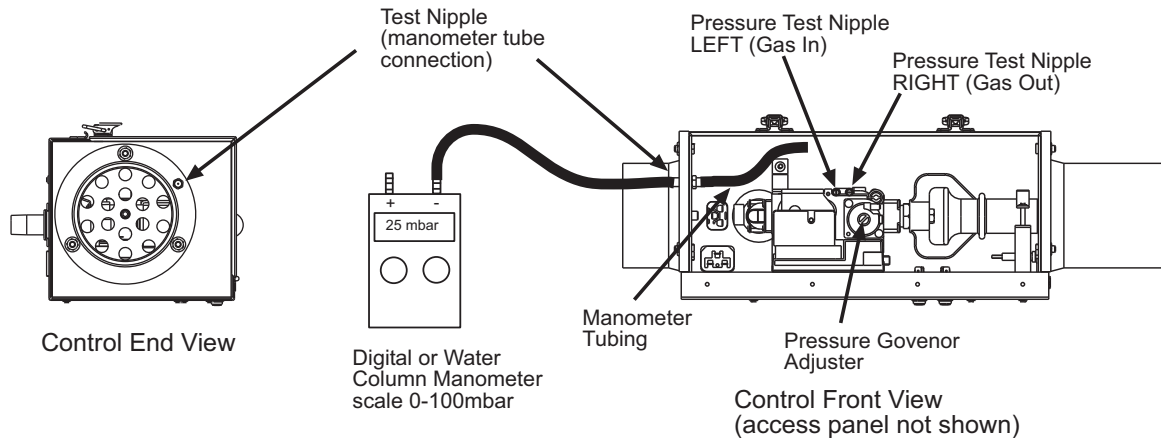
Radiant tube heaters will expand and contract during operation. Therefore it is essential to provide a flexible metallic hose, which must conform, to national or Local Regulations, to connect the appliance to the gas supply. Minimum size to be 1/2" (12.7mm x 1m long) bore.

The gas pipe, flexible hose and connections must be self-supporting. The gas pipe work must not bear any of the weight of the heater or any other suspended assembly.

## 11.0) INSTRUCTIONS FOR PRESSURE TEST GAUGE CONNECTION

### CHECKING GAS PRESSURES

- Switch off the gas and electricity and gas supply to the appliance. Turn off manual shutoff at gas line.
- Connect a manometer to the test nipple protruding from the rear panel of the Control Box (adjacent to the Air Inlet Adaptor). See Fig. 22. Open the Control Box door after releasing the two toggle latches.



**Fig. 22**

### TO CHECK THE GAS SUPPLY PRESSURE

- Unscrew the sealing screw (two turns) of the LEFT (Gas IN) Control Valve test nipple and connect the free end of the manometer tube (permanently connected to the manometer test nipple inside the side panel of the control box) to this test nipple (See Fig. 22). Close the control box door and secure with the two toggle latches.
- Ignite the appliance burner by switching on the electricity supply to the appliance and check that the manometer reading is as stated below for the gas type the appliance is "adjusted for" (see the Data Label affixed to the Control Box door). See table 12 for gas supply.
- Switch off the electricity supply to the appliance open the control box door and remove the manometer tube from the LEFT (Gas IN) control valve test nipple. Screw in the test nipple sealing screw.

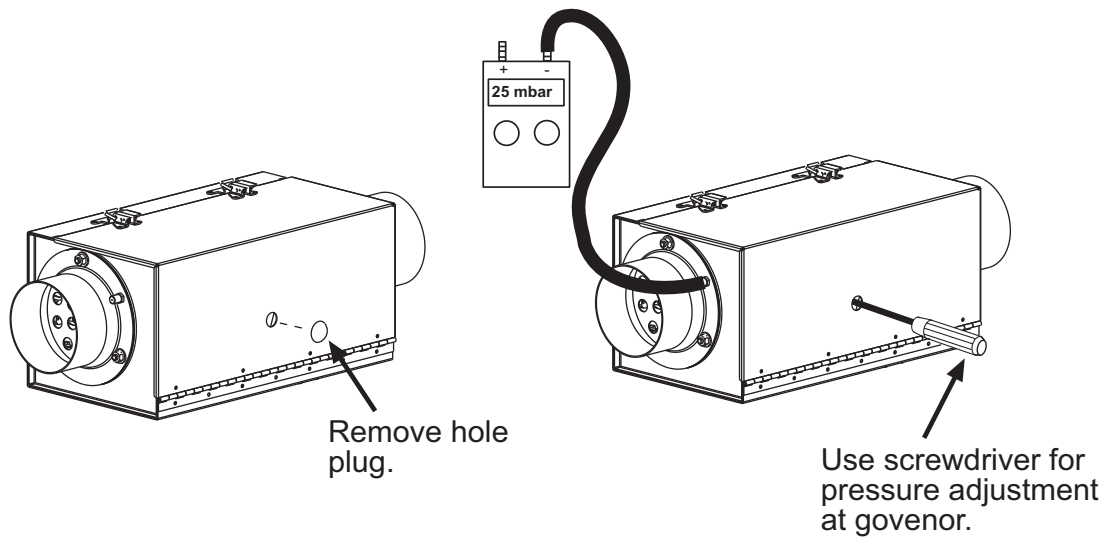
### TO CHECK THE BURNER SETTING PRESSURE

- Unscrew the sealing screw (two turns) of the RIGHT (Gas OUT) Control Valve test nipple and connect the free end of the manometer tube (permanently connected to the manometer test nipple inside the side panel of the control box) to this test nipple (See Fig. 22). Close the control box door and secure with the two toggle latches.
- Ignite the appliance burner by switching on the electricity supply to the appliance and check that the manometer reading is as stated below for the gas type the appliance is adjusted for (see the Data Label affixed to the control box door).

Category 2H: gas type G20 (natural): setting pressure 12.5mbar

Category 3P: gas type G31 (propane): setting pressure 25mbar

- In the event that the burner setting pressure is incorrect, switch off the electricity supply to the appliance and remove the cap from the integral pressure governor for the Control Valve (see Fig. 22). Close the control box door and switch on the electricity supply to the appliance to ignite the burner. Remove the plug from the control box door and insert a suitable screwdriver through the exposed hole in the box to locate the governor adjusting screw. Adjust the pressure by turning the pressure governor adjusting screw clockwise to increase or anti-clockwise to decrease the burner setting pressure. See Fig. 23.



**Fig. 23**

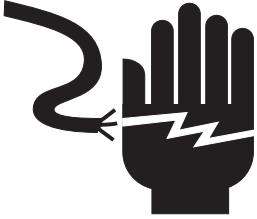
- d. Upon obtaining the correct burner setting pressure switch off the electricity supply to the appliance, remove the screwdriver, replace the plug into the upper surface of the control box door and open the door. Remove the manometer tube from the RIGHT (Gas OUT) Control Valve test nipple and screw in the test nipple sealing screw. Replace the cap from the integral pressure governor (see Fig. 22). Close the control box door and secure with the two toggle latches.

**FLAME SUPERVISION**

- a. To check the operation of the flame supervision equipment, operate the appliance normally, turn off the gas supply at the gas isolation valve and observe that the amber neon indicator remains illuminated.
- b. After a purge period of 10 seconds (minimum) the solenoid valves and the ignition spark electrode will be re-energized and with the gas still turned off, the ignition control will go to "lockout" condition after a further 12 seconds (maximum). Amber neon indicator extinguished.
- c. Switch off the electricity supply to the appliance for a period of 15 seconds to reset the lockout condition before attempting to re-ignite the burner. (see Section 12.0).

## 12.0) ELECTRICAL CONNECTIONS

**⚠ WARNING**



**ELECTRIC SHOCK HAZARD**

Disconnect electrical power and gas supply before servicing.  
This appliance must be connected to earth.  
Failure to do so may result in death or serious injury.

The electrical wiring to this heater must be installed in accordance with the latest or current National Regulations and any Local Regulations, which apply.

Electrical supply	230V~50Hz 230W
Current rating	1.1A
Fuse externally	3A

Both the two Control Boxes and the Fan are operated from the same switching power as indicated in Figure 24 and 25.

**NOTE: The power supply for the fan must not come from the fan outlet on the burner box as ignition module failure will occur and separate supply must be made as described.**

Due consideration should be given to the required clearance from combustibles (see Section 4) when routing the cable to the Fan and Control Box.

Using twin core and earth flexible supply cable, as suitable for 230V~50Hz 230W supply, connect the 3 pin electrical socket provided (fastenings pack) as follows:-

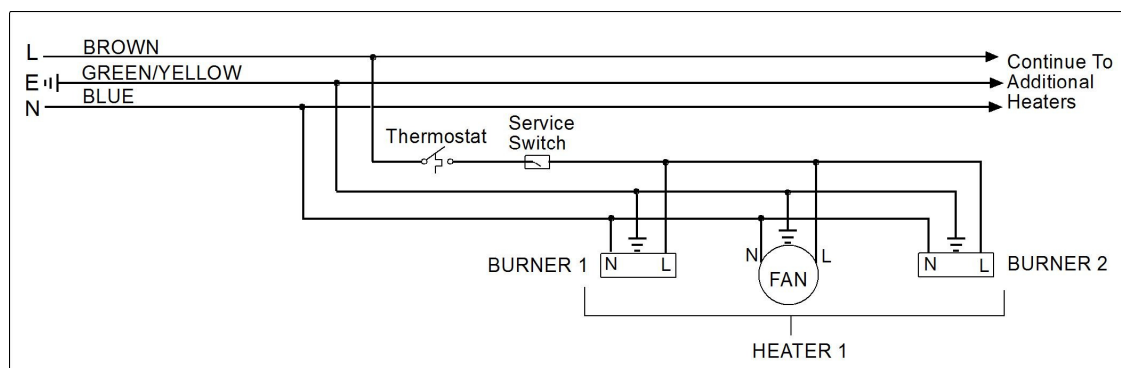
Brown (red)	-	to terminal marked L
Blue (Black)	-	to terminal marked N
Green/Yellow	-	to terminal marked $\equiv$

Connect this electrical socket to the 3 pin plug (marked 230V~50Hz) mounted in the side of the Control Box.

**NOTE: It is important for the correct function of the appliance for the polarity of the electrical supply to be correct.**

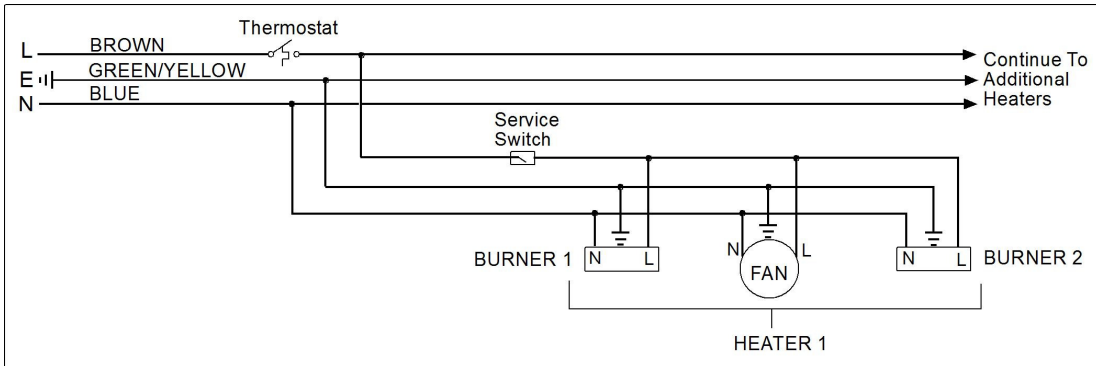
### Single Heaters per Thermostat connection diagram

**Fig. 24**



**Multiple Heaters per Thermostat connection diagram**

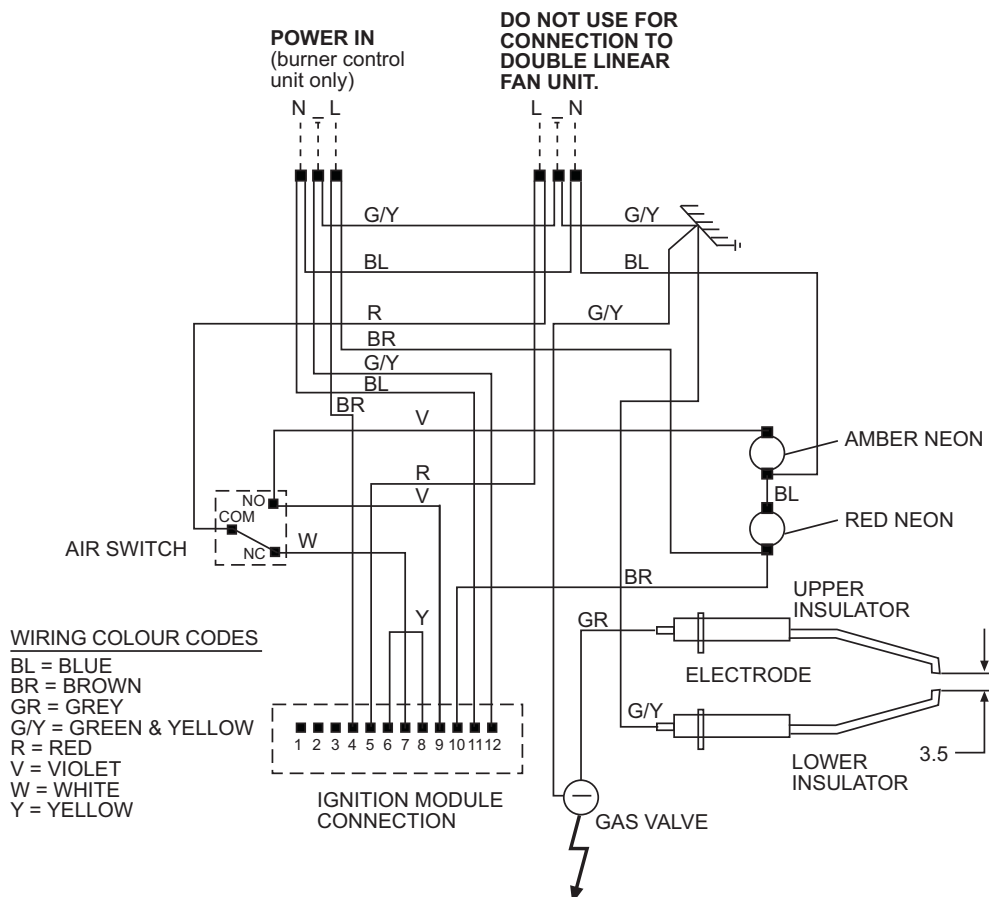
**Fig. 25**



Notes: The method of connection to the electrical supply must facilitate complete isolation and should preferably be via a fused double pole isolator having a constant separation of at least 3mm in all poles and supplying the appliance ONLY.

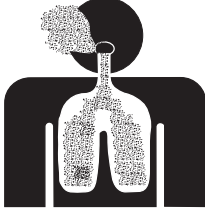
Alternatively, connection may be made via a fused 3 pin plug and un-switched, shuttered socket, both complying with the requirements of National or Local Regulations. Neither thermostat nor switch are supplied as standard equipment. NOTE: In the event of an electrical fault after installation of the appliance, preliminary system checks are required to be carried out i.e. earth continuity, polarity and resistance to earth.

a. Internal Wiring Diagram



**Fig. 26**

## 13.0) VENTING AND FRESH AIR FOR COMBUSTION

<b>⚠ WARNING</b>	
	<p style="text-align: center;"><b>CARBON MONOXIDE HAZARD</b></p> <p>Heaters installed unvented must be installed in an area with at least 10m<sup>3</sup>/hr per KW heat input of outside air ventilation.</p> <p>In buildings with airborne contamination the heater must be installed with fresh air for combustion.</p> <p>Failure to do so may result in death, serious injury, property damage or illness from Carbon Monoxide poisoning.</p>

These appliances may be installed with an exhaust flue fitted **or** without an exhaust flue fitted.

### **A. FLUELESS (UNFLUED)**

The installation room should have a volume of at least 10m<sup>3</sup>/kW of installed nominal heat input of the radiant heater.

The ventilation requirements and calculation methods for unflued appliances are set out in the European Standards **EN 13410 (latest edition)** and must be applied. The following is guidance to the standard:

Ventilation may be achieved by any of the three following different means:

- a) Thermal evacuation of the products of combustion/air mixture
- b) Mechanical evacuation of the products of combustion/air mixture
- c) Natural air change

#### **VENTILATION BY THERMAL EVACUATION**

- a. Ventilation by thermal evacuation is sufficient if 10m/h of exhaust air per kW of operating heat input are ventilated out of the installation room.
- b. The air/products of combustion mixture must be evacuated above the radiant heaters, if possible near the ridge, by means of exhaust mixture opening(s), (vents).
- c. Where the exhaust mixture opening(s) can be closed, it shall only possible to operate the radiant heaters when they are open.
- d. The maximum horizontal distance between a radiant heater and a vent opening shall be:  
6 (six) times the vent height in the case of wall openings  
3 (three) times the vent height in the case of roof openings

#### **VENTILATION BY MECHANICAL EVACUATION**

- a. Ventilation by mechanical evacuation is sufficient if 10m/h of exhaust air per kW of operating heat input are ventilated out of the installation room.
- b. The air/products of combustion mixture must be evacuated above the radiant heaters using fan(s).
- c. It shall only be possible to operate the radiant heaters whilst the exhaust airflow is proven.
- d. The maximum horizontal distance between a radiant heater and a fan shall be:  
6 (six) times the fan mounting height in the case of wall openings  
3 (three) times the fan mounting height in the case of roof openings

**Note:** Mechanical exhaust air openings must be positioned such that the burner stability of the nearest appliance is unaffected.

### **VENTILATION BY NATURAL AIR CHANGE**

Gas-fired radiant heaters may be operated without any special exhaust system if the exhaust gases are discharged to the outside atmosphere by a sufficient natural air change in the installation room.

Furthermore, no provision for thermal or mechanical ventilation is required in the following particular cases:

Buildings with natural air change greater than 1.5 volumes per hour

Buildings with a density of operating heat input not greater than 5W/m<sup>3</sup>

### **AIR SUPPLY**

Air supply openings are required to admit air and shall be located below the radiant heaters.

The total area of the unobstructed cross-sections of all the air supply openings shall not be smaller than the total area of the unobstructed cross-sections of all the exhaust openings.

Slits and gaps of fixed cross-section can also be used as air supply openings.

Where the air supply openings can be closed, it shall only be possible to operate the radiant heaters when they are open.

### **B. FLUED**

**For external flue use the flue pipe of diameter stated in Table 13 and Section 5, and complying with National and Local Regulations.**

**IMPORTANT:** When flued horizontally, the flue pipe must be arranged to provide a continuous rise from the appliance of 25mm per 1m length.

The ventilation requirements for flued appliances are set out in **BS 6896 (latest edition)** and must be applied. The following is guidance to the standard:

### **NATURAL VENTILATION**

Low level ventilation shall be provided in all cases below the level of the heater(s).

Up to and including 60kW: 4.5cm<sup>2</sup>/kW

Over 60kW: 270cm<sup>2</sup> + 2.25cm<sup>2</sup> /kW in excess of 60kW total rated heat input.

Where the air supply openings can be closed, it shall only be possible to operate the radiant heaters when they are open.

### **MECHANICAL VENTILATION**

Ventilation shall be provided in all cases at or below the level of the heaters.

Minimum proven air flow: 2.35m<sup>3</sup>/h/kW of total rated heat input.

It shall only be possible to operate the radiant heaters whilst the ventilation airflow is proven.

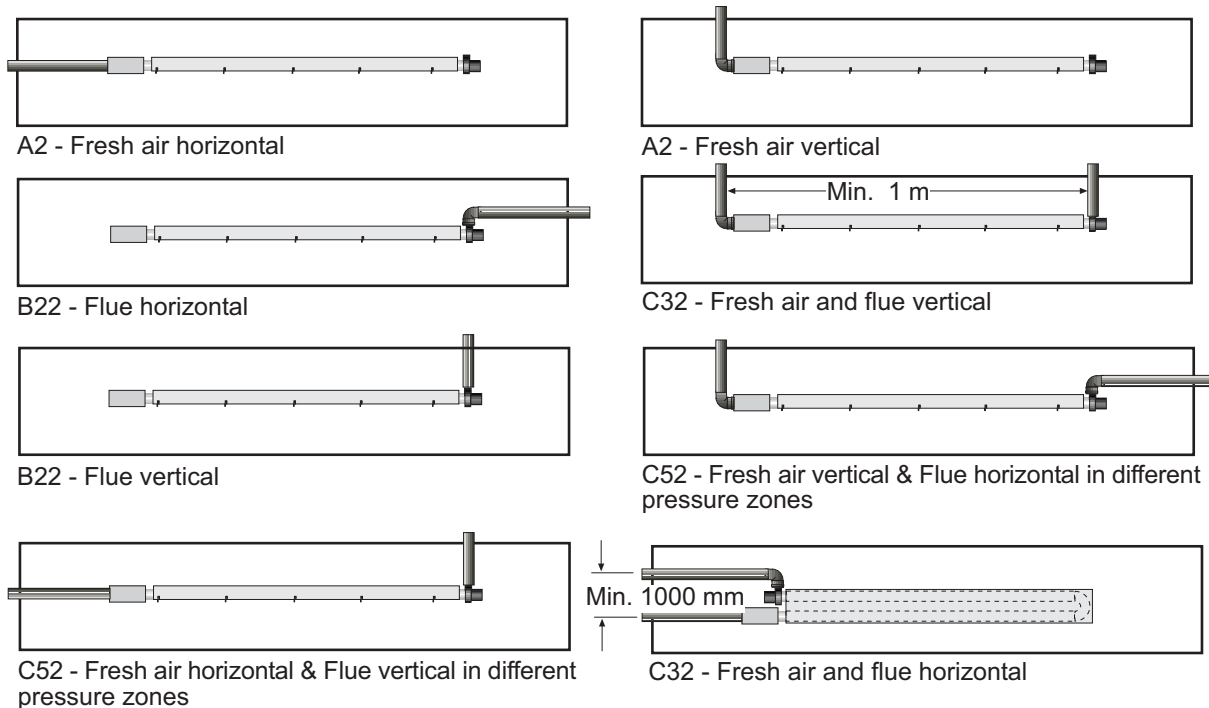
### **C. FLUE AND COMBUSTION AIR CONFIGURATIONS**

The heaters can be installed with different flue and combustion air configurations please review the diagrams on the following page for the overview of the permitted installations. The permissible maximum lengths associated with these options are listed in the table below.

Table 13

Flue Type	Max Combustion Air 100mm Ø	Max Flue Length 150mm Ø	Max length combined combustion air and flue	Reduce length for 90° bends 100 and 150mm Ø
A <sub>2</sub>	15m	N/A	15m	-1.7m
B <sub>22</sub>	13m	15m	28m	-1.7m
C <sub>52</sub>	13m	15m	28m	-1.7m

Note<sup>1</sup>: first length is parallel section second length is concentric section.



**Fig. 27**

**13.1 Type A<sub>2</sub>:**

**Outside (ducted) combustion air supply.** When installed in a dusty or polluted atmosphere, the heater should be fitted with a ducted supply of clean fresh air. A length of 100mm flexible ducting should be installed between the Control Box Air Inlet and any rigid ducting and be secured to the Air Inlet with hose clips.

Where outside combustion air is ducted directly to the burner(s) the low level **natural** ventilation openings shall be not less than 50% of the areas given in Section 13 above.

**13.2 Type C<sub>12</sub> + C<sub>32</sub>:**


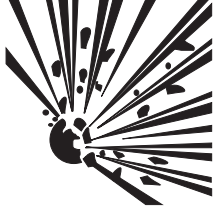
When installing external flue single duct systems with ducted combustion air supply the distance between the flue terminal and fresh air intake shall be no less than 1 m for both vertical and horizontal systems

**13.3 Type C<sub>52</sub>:**

When fresh air for combustion and the flue outlet are from different pressures zones as shown in figure 27, the flue outlet and the fresh air intake must not be on surfaces that are 180 degrees apart. The acceptable configurations are those shown in figure 27 in combination with the maximum lengths listed on table 13.

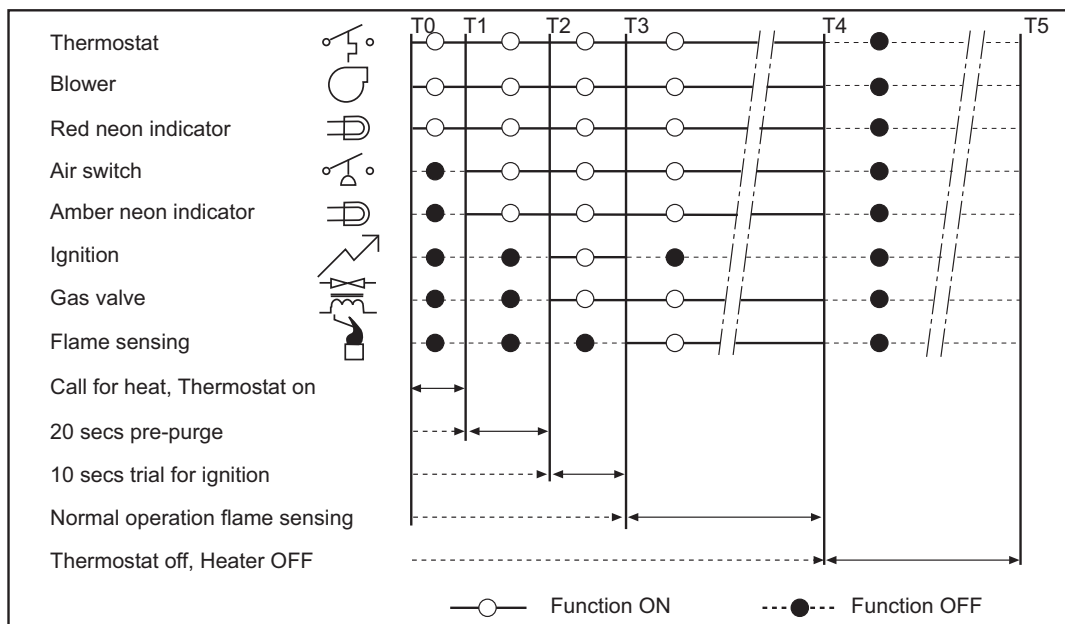


## 14.0) HEATER OPERATION

<b>⚠ WARNING</b>		
		<p><b>ELECTRIC SHOCK &amp; EXPLOSION HAZARD</b></p> <p>Disconnect electrical power and gas supply before servicing.</p> <p>Failure to do so may result in death or serious injury.</p>

## 14.1) SEQUENCE OF OPERATION

The chart below shows the sequence of operation for the normal operating cycle.



**Fig. 29**

If the flame is not sensed during sequence T3 then the heater will go to lockout.

It is essential that all new pipework installations are purged and tested for soundness with a suitable leak detection fluid prior to attempting to ignite any appliance. This work should be carried out in accordance with National or Local regulations.

**NOTE: DO NOT TEST FOR SOUNDNESS BY USE OF NAKED FLAMES.**

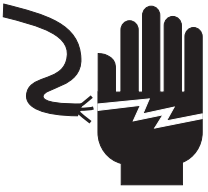
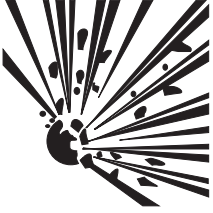
## 14.2) LIGHTING AND SHUTDOWN INSTRUCTIONS

- Ensure that the Control Box lid is closed and secured with the two toggle latches. The heater will not operate with the door open.
- Turn on the gas supply to the appliance.
- Set any time switches or thermostats to demand heat.
- Switch on the electricity supply to the appliance. The red neon indicator will be illuminated.
- The burner should ignite within 30 seconds. Both red and amber neon indicators will remain illuminated.
- Failure to ignite will result in the ignition controller going to "lockout" condition. The red neon indicator will remain illuminated. The amber neon indicator will be extinguished.

- g. If lockout occurs, switch off the electricity supply to the appliance; wait for 15 seconds before switching on the electricity supply to the appliance to repeat the ignition sequence.
- h. If the appliance fails to ignite after a second sequence switch off the electrical supply to the appliance and call the service engineer.
- i. If gas failure occurs after successful ignition the appliance will attempt one re-ignition before going to lockout condition.
- j. To shut down the appliance for short periods of time, switch off the electricity supply to the appliance.
- k. To shut down the appliance for longer periods of time, switch of the electricity supply to the appliance and turn off the gas supply at the gas isolation valve.

**NOTE: The lighting and shutdown instructions are also shown on a permanent label attached adjacent to the controls for the heater (see section 8.3).**

## 15.0) CLEANING AND ANNUAL MAINTENANCE

<b>⚠ WARNING</b>		
		<p><b>ELECTRIC SHOCK &amp; EXPLOSION HAZARD</b></p> <p>Disconnect electrical power and gas supply before servicing.</p> <p>Failure to do so may result in death or serious injury.</p>

This heater must be cleaned and serviced annually by a qualified contractor before the start of each heating season and at any time excessive accumulation of dust and dirt is observed. Maximum heating efficiency and clean combustion will be maintained by keeping the heater clean.

### **IMPORTANT:**

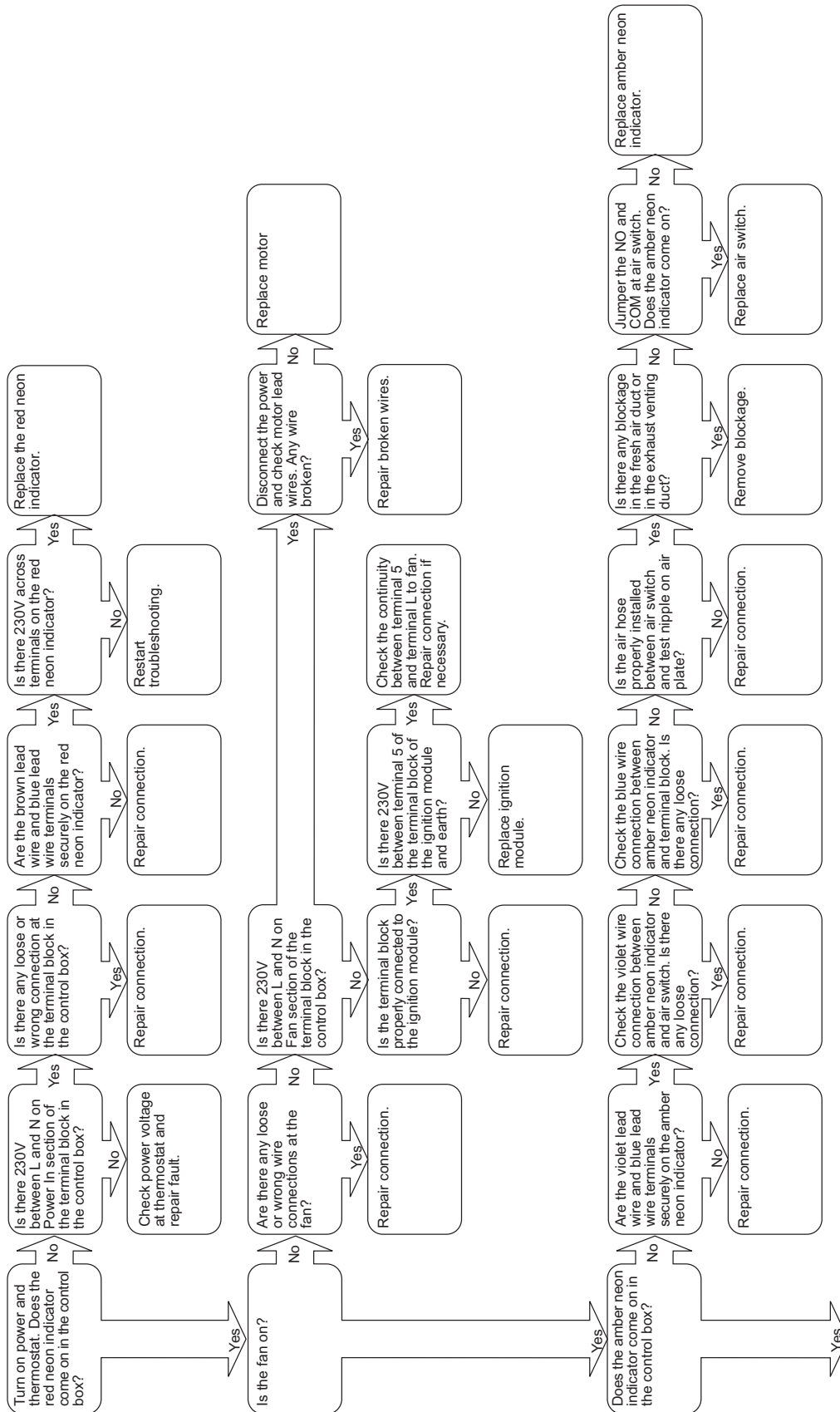
- a. Do not rest anything, especially ladders, against the appliance.
- b. Gas and Electricity supplies must be isolated before commencing servicing work or replacement of components.
- c. On completion of a service/fault finding task which has required the breaking and remaking of electrical corrections, the following checks must be made.
  1. Earth continuity check
  2. Polarity check
  3. Resistance to earth check
- d. On completion of service of gas carrying components or replacements the entire gas supply system best be checked for leaks.
- e. Commission heater with section 11 and 14.

The contractor shall check the following during periodic maintenance.

- **Clearances to combustibles:** Check that clearances are being maintained. Make sure there are no flammable objects, liquids or vapors near the heater. See also Section 4.0).
- **Reflectors:** Reflectors should be kept clean, at a minimum blow off the reflectors. (Dirty reflectors will reduce heat output).
- **Heat exchanger tubes:** Inspect the heat exchanger tubes to make sure they are not cracked, sagging or showing signs of fatigue.
- **Combustion air intake:** Disconnect combustion air intake from the control box and inspect internally using a flashlight to make sure no foreign material has collected in the tubes and that there is no obstruction around the air intake openings. Clean any foreign materials. Inspect any joints to make sure they are completely sealed. See also Section 13.
- **Venting System:** Disconnect vent pipe and inspect internally using a flashlight to make sure no foreign material has collected in the pipes. Check the external vent cap and make sure that there is no obstruction around the exhaust openings. Clean any foreign materials. Inspect any joints to make sure they are completely sealed. See also Section 13.

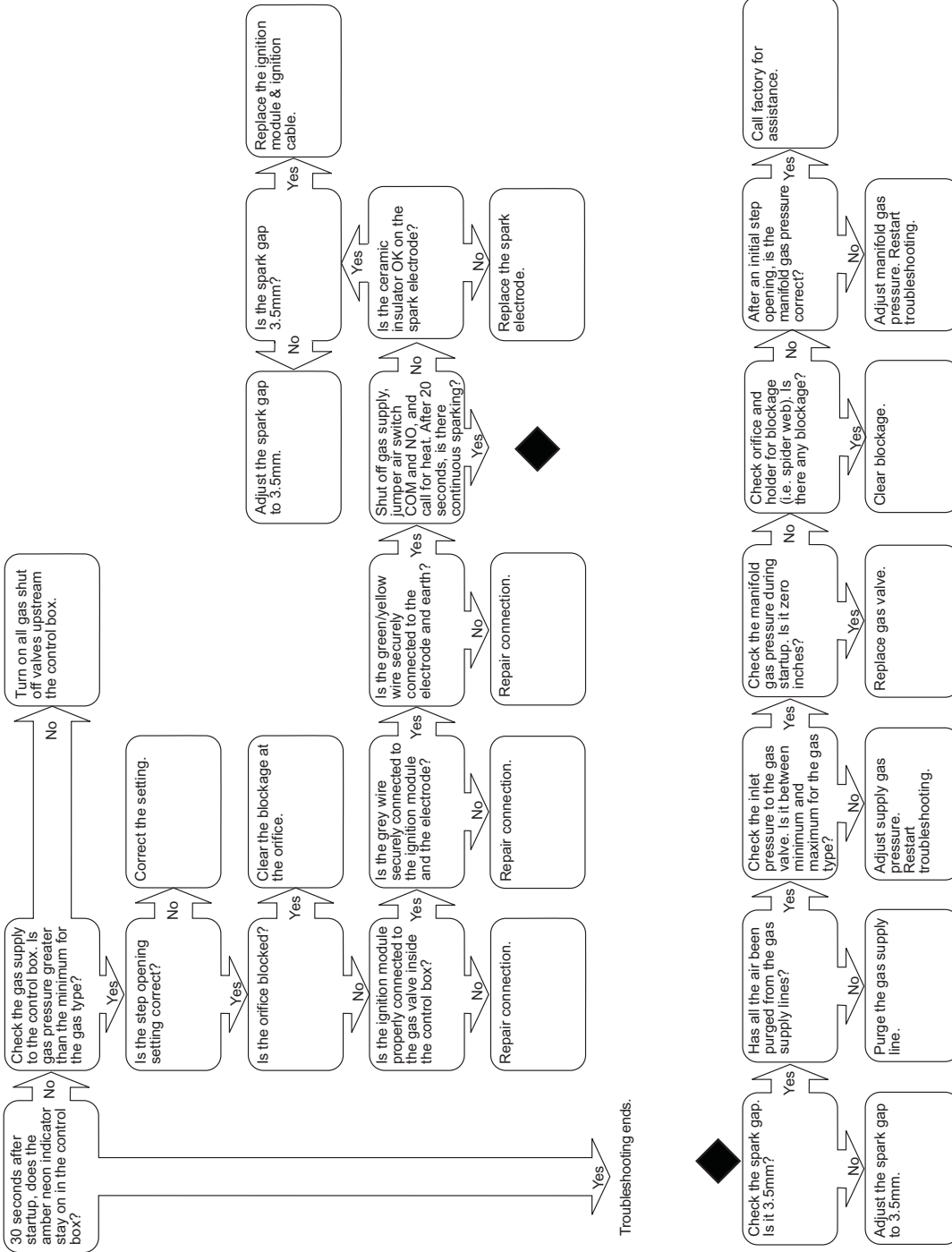
- **Gas lines:** Make sure that the gas lines are not leaking. Check the gas connection to the heater for any signs of damage, fatigue or corrosion. If there are any signs of damage to the gas connection or leaks found in the gas piping, immediately stop using the heater until the gas pipe and connections have been repaired or replaced. Check that the gas lines are not bearing the weight of the heater. See also Section 10.
- **Burner Box:** In order to extend the longevity of the heater, the heat exchanger tube and the burner must be level. Check that the burner box is level; use the turnbuckle on the burner suspension eyebolt to adjust the level of the burner. See also Section 9.3.
- **Blower wheel and housing:** Check that the blower wheel spins freely, blow out any dust or dirt with compressed air.
- **Electrode condition:** Visually check that the electrode gap is maintained at 3.5mm and that the tips of the flame sensor and spark electrode are free from deposits. Clean off any deposits. Check that the electrode ceramic is free from cracks. See Section 18.1.
- **Suspension system:** Check that the suspension system is holding the heater level. Make sure that the heater is hanging securely, look for any evidence where the heater may have been hit accidentally and tighten any loose hanging points. Check that S hooks are closed. Check that there is no evidence of wear on the chain at the connection to the heater and at the ceiling.
- **Main Burner and Orifice:** Check the Main burner and orifice; remove any dirt or debris including spider webs. See Sections 18.2 and 18.3 .
- **Electrical Wiring:** Check that all the electrical connections are sound and that the wiring is undamaged. Replace damaged wires as necessary.
- **Air Inlet / Baffle Plate:** Check that the air inlet holes in the Baffle Plate, which is clamped between the Control Box side panel and the Air Inlet flange, are clear from obstructions. Check also, that the wire mesh panel of the Air Inlet is clean. Clean as necessary using a soft brush. In the case of an appliance having a ducted air supply, it will be necessary to disconnect the flexible ducting from the Air Inlet by first releasing the hose clip. If it is necessary to remove the Air Inlet to adequately clean the Baffle Plate it will be necessary to replace the gasket seal see Section 18.8.
- **Door Seal:** Check the condition of the seal around the Control Box door and replace as necessary.  
**IMPORTANT:** The appliance will not function unless the seal around the control box door is sound and the door secured with the two toggle latches.
- **Flue Pipes:** For flued appliances it is important that periodic sweeping of the flue is carried out according to the National or Local regulations in force.
- **Auxiliary Controls:** Room thermostats, time switches, frost thermostats etc should be checked to ensure correct functioning and are set to the user requirements.
- **Re-assemble and Commission:** Re-assemble the appliance in reverse order and commission in accordance with the instructions contained in Section 15.

# 16.0) TROUBLESHOOTING GUIDE



Troubleshooting continued on the next page.


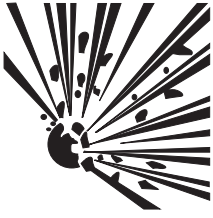
Troubleshooting continued from the previous page.



Troubleshooting ends.

Note: when troubleshooting inside the control box, shut off gas valve and restart the power to the control box. Otherwise, the control box should be installed with its lid.

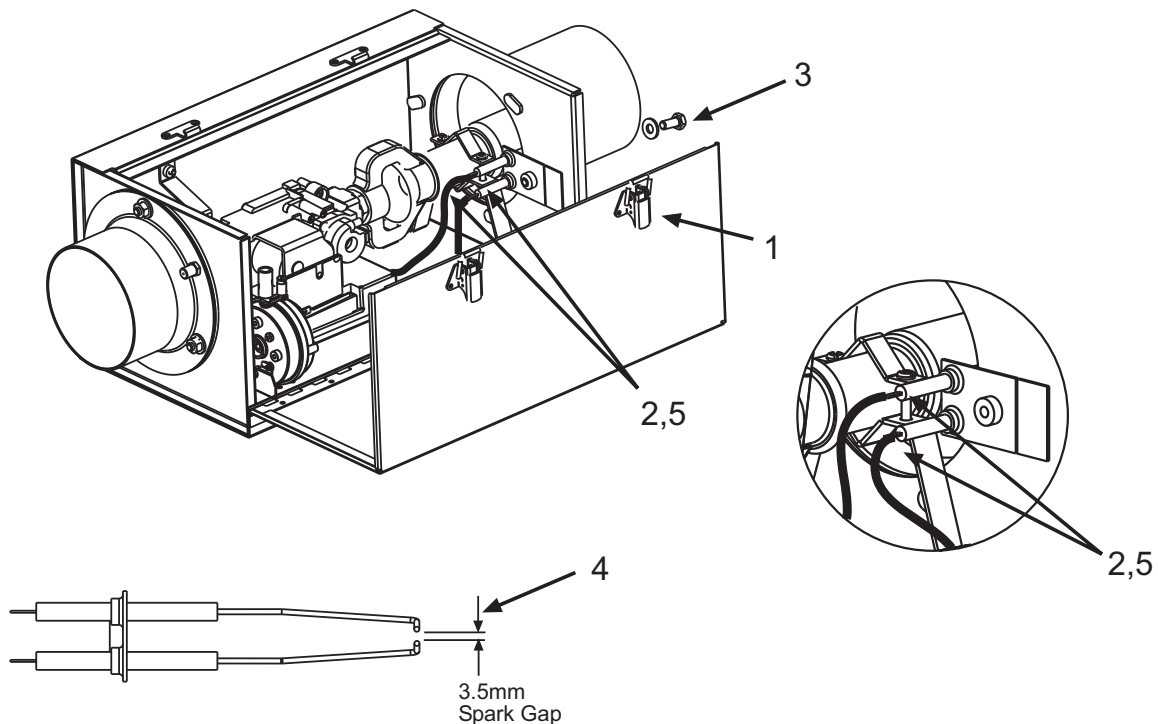
## 17.0) REPLACING PARTS

<b>⚠ WARNING</b>		
		<p style="text-align: center;"><b>ELECTRIC SHOCK &amp; EXPLOSION HAZARD</b></p> <p>Disconnect electrical power and gas supply before servicing.</p> <p>Failure to do so may result in death or serious injury.</p>

Only use genuine Space-Ray replacement parts. Parts are available from the factory for replacement by a qualified contractor. Refer to the Replacement Parts Guide in Section 20.0) for all replacement parts.

**IMPORTANT:** Disconnect gas and electricity supplies to the appliance before carrying out any repair work. This work can be carried out at high level using a purposes designed access tower, but it is preferable that this work should be carried out at ground level.

### 17.1) REMOVAL OF ELECTRODES



**Fig. 30**

This range of radiant tube heaters employs a single probe electrode system whereby both the spark generation and flame supervision operations are carried out via a common electrode. The second electrode provides the earth path for the ignition spark. The two electrodes are identical, therefore either lead (grey HT or green/yellow-earth) may be connected to either electrode.

1. Open the Control Box door after releasing the two toggle latches.
2. Disconnect the grey HT ignition/flame sensor lead and the green/yellow earth lead from the electrodes by gently pulling the connectors, using pliers.
3. Unscrew the M6 x 16 set-screw securing the electrode carrier to the Control Box and remove the Electrode Assembly.
4. Remove any foreign matter from the Electrode tips and check that the spark gap is 3.5mm. If the Electrode rods are badly oxidized, replace the electrodes.
5. Upon re-assembly, ensure that the HT lead and earth lead connectors are securely attached to the Electrodes.

## 17.2) REMOVING MAIN BURNER

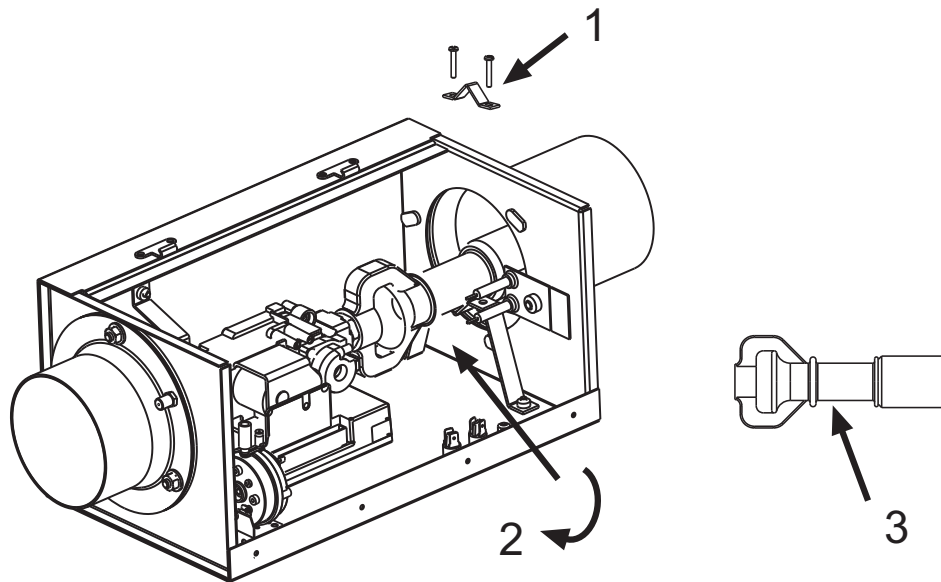


Fig. 31

1. Open the control box door; unscrew the two M4 x 25 setscrews from the Burner Bracket and remove the Burner Clamp.
2. Unscrew the Burner from the Injector Fitting
3. Lift the burner out of the Control Box.
4. Clean by use of a stiff brush to remove any deposits.

## 17.3) REMOVING INJECTOR

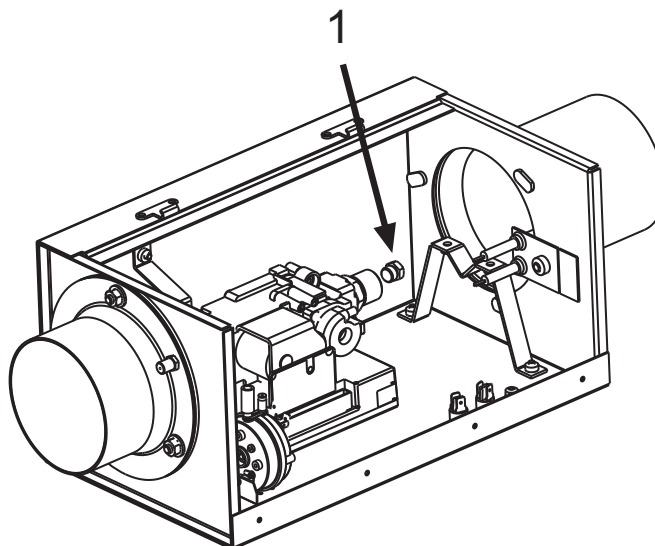


Fig. 32

1. Remove the Burner as described above. Unscrew the Injector and support the Injector Fitting with a spanner to prevent it loosening.
2. Inspect the Injector and clean as necessary with a soft bristle brush.

**DO NOT DAMAGE THE INJECTOR ORIFICE BY USE OF SOLID OBJECTS.**

## 17.4) REMOVING IGNITION CONTROL

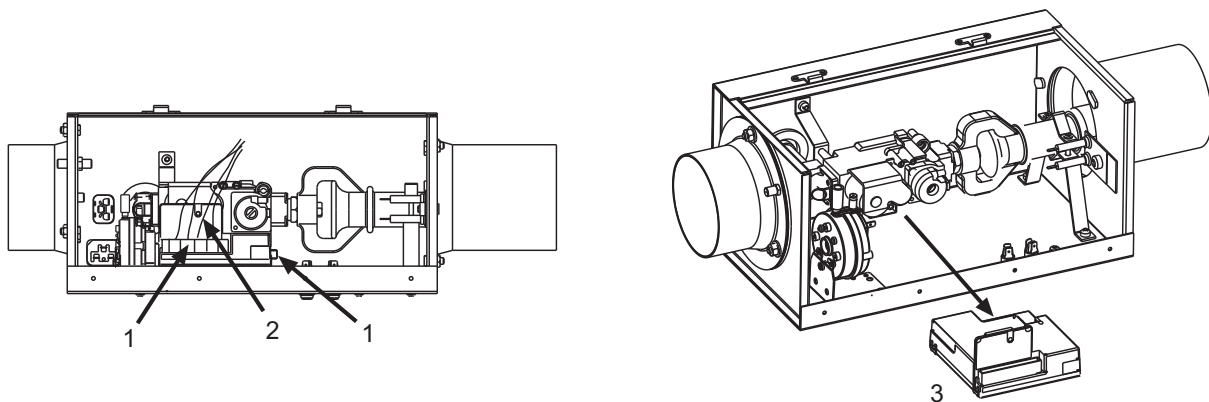


Fig. 33

1. Disconnect the 12 way Molex electrical connector and the grey HT ignition spark/flame sensor lead from the Ignition Control.
2. Unscrew the screw securing the Ignition Control to the Control Valve.
3. Slide out the Ignition Control.

## 17.5) REMOVING AIR SWITCH

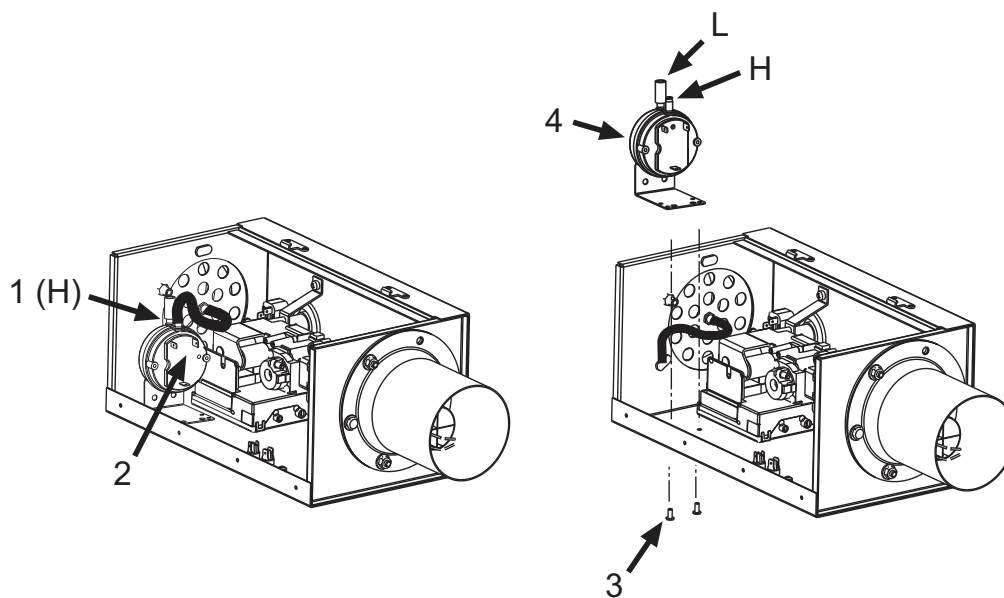


Fig. 34

1. After opening the control box door, remove the Air Tube Assembly from the Air Switch pressure connection marked 'H'.
2. Disconnect the three electrical leads from the Air Switch by gently pulling the connectors, using pliers.
3. Unscrew the two No. 8 x 12 self-tapping screws securing the Air Proving Switch to the floor of the Control box and lift out with the electrical leads attached.
4. Remove the Air Switch, and remove the restrictor from the Air Switch connection marked 'L'.

When installing a replacement Air Switch, take care to connect the electrical leads in accordance with the wiring diagram shown in (Section 12.0) and replace the restrictor on the pressure connection marked "L". The appliance will not function unless this restrictor is in place



## 17.6) REMOVING GAS VALVE AND MANIFOLD ASSEMBLY

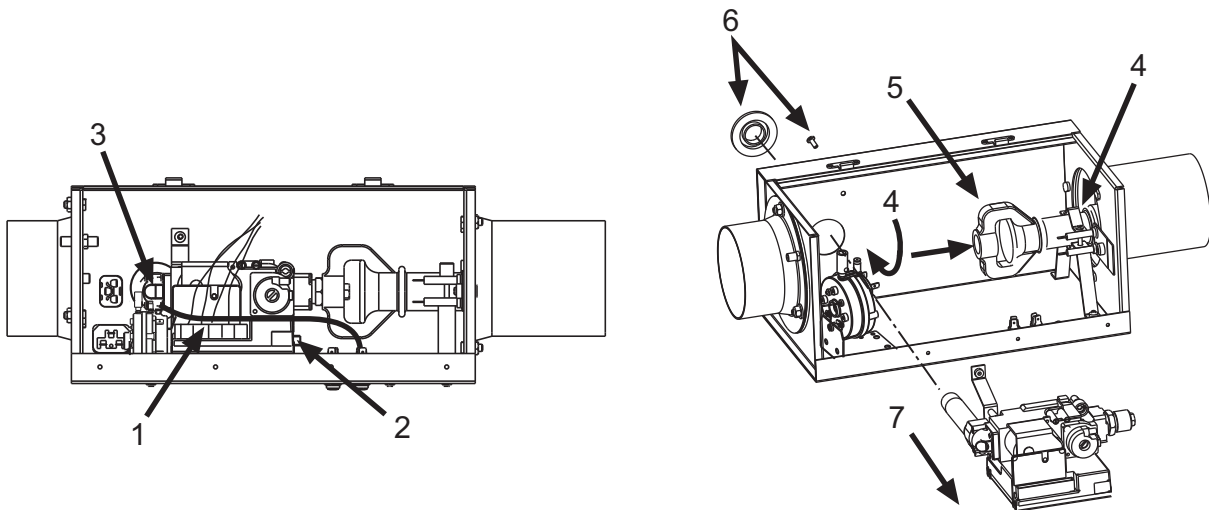


Fig. 35

1. After opening the control box door, disconnect the 12 way Molex electrical connector.
2. Disconnect the grey HT ignition spark/flame sensor lead from the ignition module.
3. Disconnect the green/yellow wire from the grounding tab of gas valve.
4. Unscrew the two M4x25 setscrews from the burner bracket and remove the burner clamp.
5. Unscrew the burner and slide it away from the valve.
6. Unscrew the M4 screw securing the valve bracket to the control valve and remove the grommet.
7. Slide out the complete assembly of gas valve, ignition module and manifold.

After replacing the Control Valve, check the gas pressures in accordance with Section 11 of this manual.

**IMPORTANT: TEST FOR GAS SOUNDNESS USING A SUITABLE LEAK DETECTION FLUID.**

## 17.7) REMOVING NEON INDICATOR

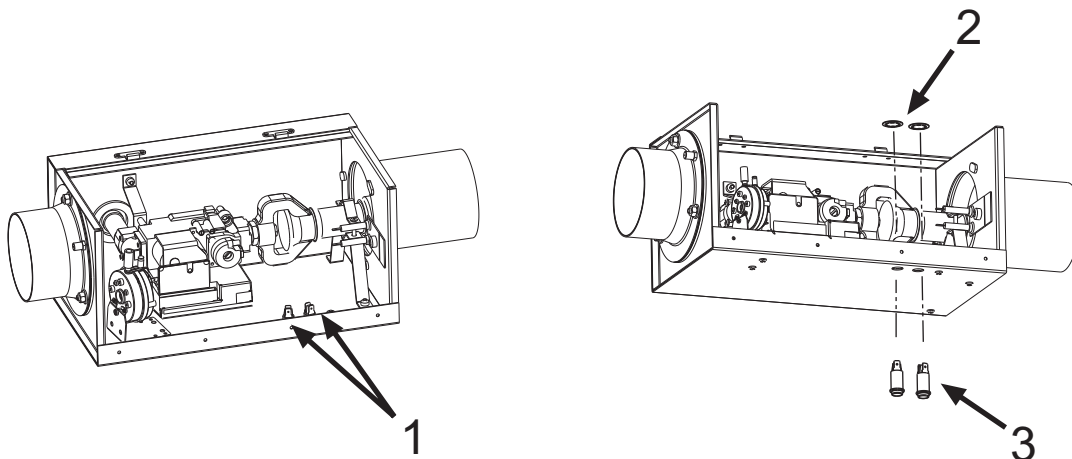


Fig. 36

1. Disconnect the electrical leads from the Neon Indicators by gently pulling the connectors, using pliers.
2. Remove the star washers.
3. Press the neon indicator out through the mounting hole in the floor of the control box.

When replacing a Neon Indicator, connect the electrical leads in accordance with the wiring diagram shown in (Section 12)

## 17.8) REMOVING AIR INLET PLATE

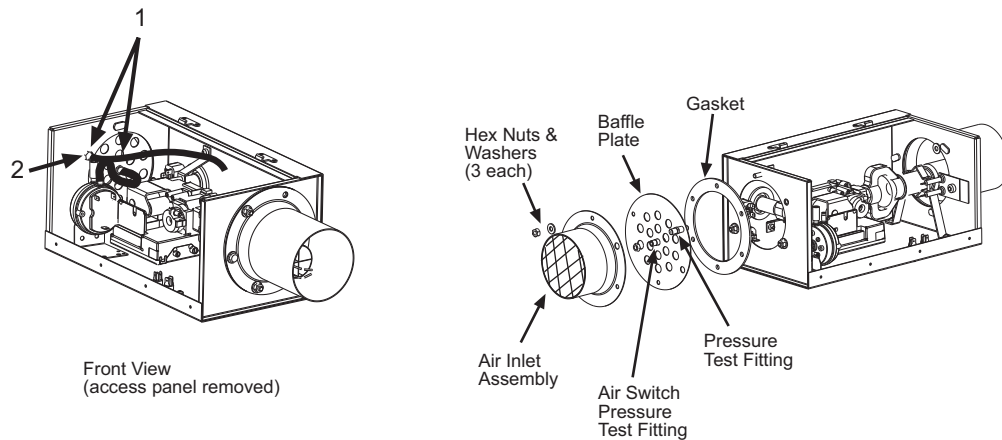


Fig. 37

1. After opening the control box door, disconnect tubing from both brass pressure test fittings.
2. Remove brass nut from pressure test fitting.
3. Disassemble components from the control box.

## 17.9) REMOVING THE FAN

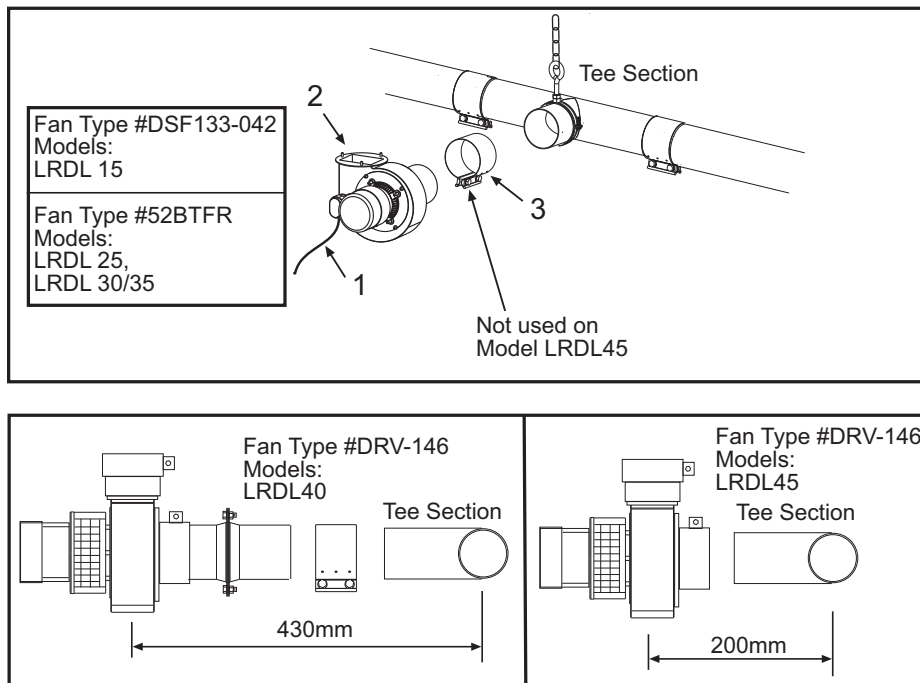


Fig. 38

1. Disconnect the electrical wires from the fan (see Section 12) for connection details.
2. If a flued installation, disconnect the flue from the Fan.
3. Loosen the nuts of the Torcite Coupling securing the Fan Connector to the Tee Section and draw the Fan Assembly off the Radiant Tube. **NOTE: Models LRDL45 are NOT equipped with a Torcite Coupling on the Fan Assembly.**
4. Inspect the main impeller and remove any dust by brushing with a soft brush. Check that the impeller rotates freely and that there is no excessive play in the bearings. The bearings are pre-lubricated and require no attention.

## 18.0) CONVERSION INSTRUCTIONS

### CONVERSION FROM CAT. 2H (Natural Gas) TO CAT. 3P (LPG)

- a. Remove the Injector from the Injector Fitting (see Section 18.3) and replace it with the alternative Injector supplied with conversion kit. Check that the size reference marked on the Injector agrees with that listed in the Specifications table (Section 5) for the appliance model in question.
- b. Remove the pressure governor cap from the integral pressure governor of the Control Valve and screw the adjuster clockwise to increase the gas pressure, check supply and manifold pressure in accordance with Section 11. Replace the pressure governor cap.
- c. Affix the gas adjustment label (3P G31 37mbar) supplied with conversion kit onto the Data Label, adjacent to the headings "Adjusted For" and "Setting Pressure", to cover the original gas adjustment label (2H, G20, 20mbar).
- d. Carry out checks in accordance with Section 10 of this manual to ensure correct supply pressure relative to the gas type being used (G31 - Propane).

### CONVERSION FROM CAT. 3P (LPG) TO CAT. 2H (Natural Gas)

- a. Remove the Injector from the Injector Fitting (see Section 18.3) and replace it with the alternative Injector supplied with conversion kit. Check that the size reference marked on the Injector agrees with that listed in the Technical Data table (Section 5) for the appliance model in question.
- b. Remove the pressure governor cap from the integral pressure governor of the Control Valve and unscrew the adjuster counter clockwise to increase the gas pressure, check supply and manifold pressure in accordance with Section 11. Replace the pressure governor cap.
- c. Affix the gas adjustment label (2H, G20, 20mbar) supplied with conversion kit onto the Data Label adjacent to the headings, "Adjusted For" and "Setting Pressure" to cover the original gas adjustment label (3P, G31, 37mbar).
- d. Carry out checks in accordance with Section 11 of this manual to ensure correct supply pressure and setting pressure, relative to the gas type being used (G20 - Natural Gas).

## 19.0) INSTALLATION DATA

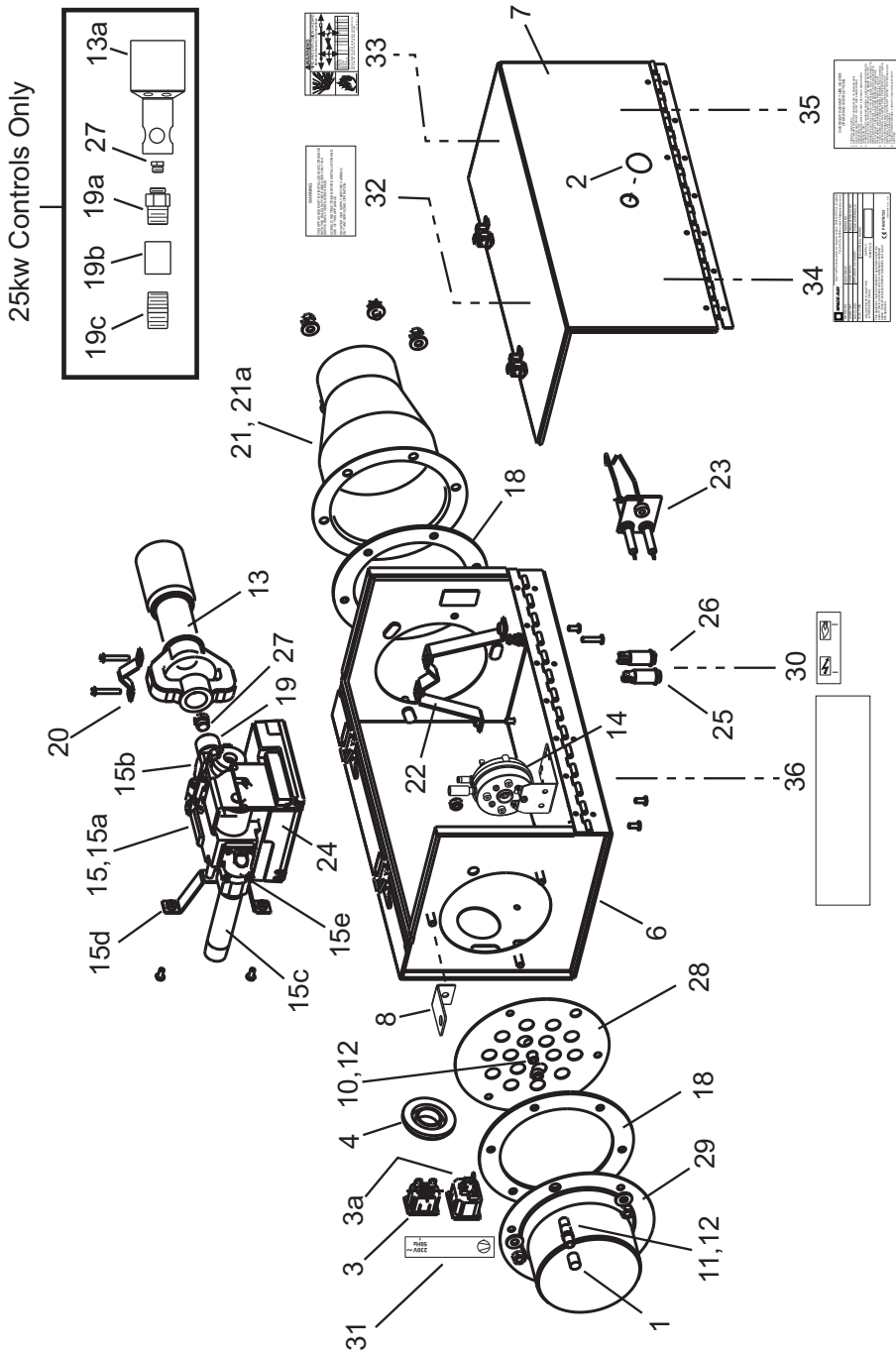
Date of Installation:	_____	# of Heaters in System:	_____
Serial No.	_____		
Model:	_____	N = Natural Gas	L = Propane Gas

## 20.0) REPLACEMENT PARTS GUIDE

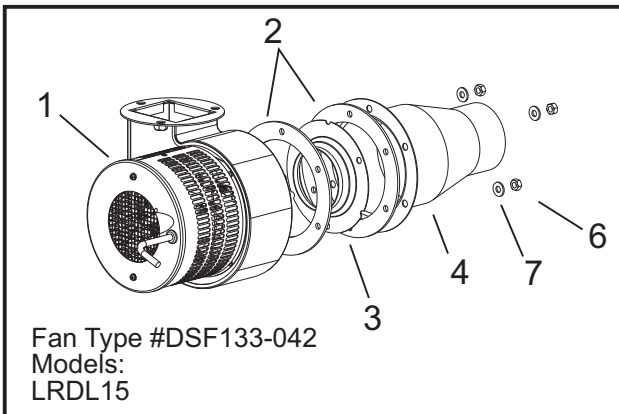
The following is a list of replacement parts which may be required during the life of the appliance.

CONTROL COMPONENTS			
Item No.	Part No.	Description	Qty.
1	02330010	Vinyl Cap	1
2	02331010	Plug, Liquid Tight Hole	1
3	4262151	Inlet – Male Pin #PX0575	1
3a	4262153	Outlet – Female #PX0695	1
4	30700040	Grommet, Pipe Sealing	1
5			
6	42602870	Housing (welded)	1
7	4250694	Access Panel (with hinge)	1
8	44202000	Turnbuckle Holder Bracket	1
8a	30545040	Turnbuckle (Not shown)	1
9	03988070	Tubing, Silicone – 178mm Lg. (Not shown)	2
10	2113	Pressure Test Point	1
11	4260363	Test Nipple	1
12	4262322	Brass Locknut	2
13	4250600	Burner Fabrication	1
13a	42700000	Burner (25kw controls only)	
14	4250625	Air Switch Assembly	1
15	4250696	Gas Valve Assembly (complete)	1
15a	4262586	Gas Valve #VK4105C	1
15b	4262552	Flange, 1/2 BSPT - Straight	1
15c	4260502	Pipe Nipple, 1/2 BSPT x 110mm	1
15d	4260382	Valve Bracket	1
15e	4262551	Flange, 1/2 BSPT - Elbow	1
16	42506950	Wiring Harness – less HI Tension Cable (Not shown)	1
17	42510929	Hi Tension Cable – 178mm Lg. (Not shown)	1
18	4260132	Gasket	2
19	4260364	Injector Fitting – 1/2 BSPT x 7/8 UNF	1
19a	42701000	Injector Fitting – 1/2 NPT x 5/8 UNF (25kw controls only)	1
19b	03540090	Coupling – 1/2 NPT (25kw controls only)	1
19c	03333040	Pipe Nipple, 1/2 NPT x 38mm (25kw control only)	1
20	4260367	Burner Clamp	1
21	4260370	Connector – 76.2mm (shown)	1
21a	4260371	Connector – 101.6mm	1
22	4260380	Burner Bracket	1
23	4260541	Electrode	1
24	4262197	Ignition Control	1
25	4262280	Neon Light - Red (round)	1
26	4262281	Neon Light - Amber (round)	1
27	xxxxxxx	Gas Injector (State Model & Gas Type for Size)	1
28	4260360x	Baffle Plate (State Model & Gas Type for Size)	1
29	42603629	Air Inlet Fabrication	1

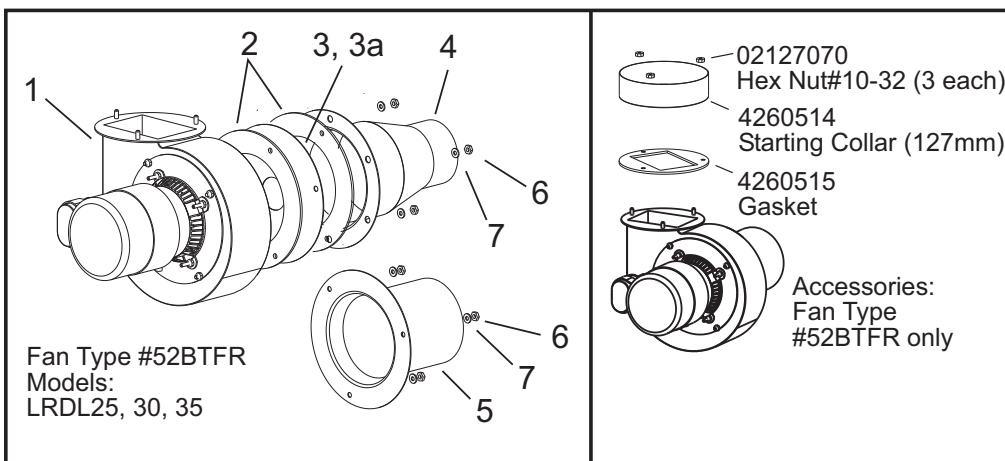
LABELS/MANUAL			
Item No.	Part No.	Description	Qty.
30	4262036	Label Neon	1
31	4262035	Label, Fan/Power Supply	1
32	42604200	Label, Warning - GB/IE	1
33	43344120GB	Label, Clearances to Combustibles	1
34	42848130GB	Label, Nameplate	1
35	4260440	Label, Operating Instructions - GB	1
36	4262000	Label, Space-Ray Logo	1
37	44201117	Installation/Operation Manual	1



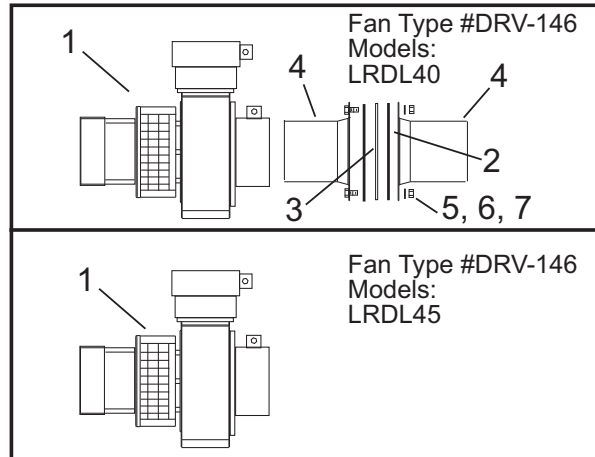
Fan Assembly - Models LRDL15			Fan Assembly Part No.
			<b>LRDL15</b>
			<b>44438050</b>
Item No.	Part No.	Description	Qty.
1	30742150	Fan - Torin #DSF133-042	1
2	4260132	Gasket (130 BC)	2
3	4260361C	Air Orifice Plate - 50.8mm ID (130 BC)	1
4	4250649	3" Connector (130 BC) with 3 air holes	1
5			
6	02127070	Nut, Hex #10-32	3
7	02130080	#10 Spring Lock Washer	3



Fan Assembly - Models LRDL25, 30, 35			Fan Assembly Part No.		
			<b>LRDL25</b>	<b>LRDL30</b>	<b>LRDL35</b>
			<b>44438520</b>	<b>44438530</b>	<b>44438540</b>
Item No.	Part No.	Description	Qty.	Qty.	Qty.
1	4262255	Fan - McMillan #52BTFR (229-530/3)	1	1	1
2	4260516	Gasket (146.1 BC)	2	2	2
3	42603618D	Air Orifice Plate - 55.0mm ID (146.1 BC)	1	1	-
3a	42603618G	Air Orifice Plate - 66.7mm ID (146.1 BC)	-	-	1
4	42603708	3" Connector (146.1 BC)	1	-	-
5	4260505	4" Connector (146.1 BC)	-	1	1
6	02127070	Nut, Hex #10-32	3	3	3
7	02130080	#10 Spring Lock Washer	3	3	3



Fan Assembly - Models LRDL40, 45			Fan Assembly Part No.	
			LRDL40 44438250	LRDL45 30793000
Item No.	Part No.	Description	Qty.	Qty.
1	30793000	Fan - Cukurova #DRV-146	1	1
2	4260516	Gasket (146.1 BC)	2	-
3	42603618G	Air Orifice Plate - 66.7mm ID (146.1 BC)	1	-
4	4260505	4" Connector (146.1 BC)	2	-
5	4267061	M6 x 16mm Hex Head Screw	3	-
6	4267216	M6 Hex Nut	3	-
7	4267266	M6 Spring Lock Washer	3	-



**Gas Fired Products (UK) Ltd.**  
 Chapel Lane, Claydon, Ipswich, Suffolk IP6 0JL, England  
 Phone 01473 830551 Fax: 01473 832055 E-mail: [info@spaceray.co.uk](mailto:info@spaceray.co.uk) [www.spaceray.com.uk](http://www.spaceray.com.uk)