

**ApenGroup**<sup>®</sup>

**GB**

**Use, Installation and Maintenance Manual  
MODULATING WARM AIR HEATER LRP - RAPID PRO AND  
CONDENSING WARM AIR HEATER LK - KONDENSA**

**NEW VERSION  
CPU G26800**



VER. 01.2020

## Dichiarazione di Conformità Statement of Compliance



### APEN GROUP S.p.A.

20060 Pessano con Bornago (MI)  
Via Isonzo, 1  
Tel +39.02.9596931 r.a.  
Fax +39.02.95742758  
Internet: <http://www.apengroup.com>

Il presente documento dichiara che la macchina:  
*With this document we declare that the unit:*

<b>Modello:</b> <b>Model:</b>	<b>Generatore d'aria calda LRP, LK, LKC</b> <b>Warm Air Heater LRP, LK, LKC</b>
----------------------------------	--

è stata progettata e costruita in conformità con le disposizioni delle Direttive Comunitarie:  
*has been designed and manufactured in compliance with the prescriptions of the following EC Directives:*

- **Regolamento Apparecchi a Gas 2016/426/UE**  
*Gas Appliance Regulation 2016/426/UE*
- **Direttiva compatibilità elettromagnetica 2014/30/UE**  
*Electromagnetic Compatibility Directive 2014/30/UE*
- **Direttiva Bassa Tensione 2014/35/UE**  
*Low Voltage Directive 2014/35/UE*
- **Regolamento ErP 2281/2016/CE**  
*ErP Regulation 2281/2016/CE*
- **Direttiva ROHS II 2011/65/UE e ROHS III 2015/863/UE**  
*ROHS II 2011/65/UE and ROHS III 2015/863/UE Directives*

è stata progettata e costruita in conformità con le norme:  
*has been designed and manufactured in compliance with the standards:*

- EN17082:2019
- EN60335-1
- EN60335-2-102
- EN60730-1
- EN 60068-2-1
- EN 60068-2-2
- 2017/C 229/01
- EN55014-1
- EN55014-2
- EN61000-3-2
- EN61000-3-3

### **Organismo Notificato:** *Notified body:*

Kiwa Cermet Italia S.p.A  
0476  
PIN 0476CQ0451

La presente dichiarazione di conformità è rilasciata sotto la responsabilità esclusiva del fabbricante  
*This declaration of conformity is issued under the sole responsibility of the manufacturer*

Pessano con Bornago  
26/05/2020

**Apen Group S.p.A.**  
*Un Amministratore*  
**Mariagiovanna Rigamonti**



CODE

SERIAL NUMBER

## INDEX

<b>SECTION</b>	<b>1.</b>	<b>GENERAL CAUTIONS .....</b>	<b>4</b>
<b>SECTION</b>	<b>2.</b>	<b>SAFETY INSTRUCTIONS .....</b>	<b>4</b>
	2.1	Fuel.....	4
	2.2	Gas Leaks .....	4
	2.3	Power Supply .....	5
	2.4	Use .....	5
	2.5	Maintenance.....	5
	2.6	Transport and Handling.....	5
	2.7	Unpacking.....	6
	2.8	Disposal and Demolition.....	6
	2.9	Installation .....	6
<b>SECTION</b>	<b>3.</b>	<b>TECHNICAL FEATURES .....</b>	<b>7</b>
	3.1	Technical Data .....	8
	3.2	Technical data of centrifugal models .....	10
	3.3	Regulation (EU) 2016/2281 .....	12
	3.4	Noise .....	13
	3.5	Air flow performance.....	14
	3.6	Dimensions.....	15
<b>SECTION</b>	<b>4.</b>	<b>USER INSTRUCTIONS .....</b>	<b>18</b>
	4.1	Operating cycle.....	18
	4.2	Interface Panel .....	18
	4.3	Reset .....	20
	4.4	Flame indication LED ..	20
	4.5	Navigation map of LCD display menu .....	21
	4.6	Set-up .....	23
	4.7	Accessories .....	23
<b>SECTION</b>	<b>5.</b>	<b>INSTALLATION INSTRUCTIONS.....</b>	<b>25</b>
	5.1	General Installation Instructions .....	25
	5.2	Installation .....	25
	5.3	Condensate drain .....	27
	5.4	Connections to the Flue.....	28
	5.5	Electrical Connections .....	35
	5.6	Modulation PCB Parameters.....	37
	5.7	Analysis of Lockouts - Faults.....	42
<b>SECTION</b>	<b>6.</b>	<b>GAS CONNECTION.....</b>	<b>44</b>
<b>SECTION</b>	<b>7.</b>	<b>SERVICING INSTRUCTIONS .....</b>	<b>45</b>
	7.1	Country Table - Gas Category .....	45
	7.2	Gas Settings Table .....	46
	7.3	Starting up for the first time .....	52
	7.4	Combustion Analysis .....	52
	7.5	Conversion to LPG .....	53
	7.6	Conversion to gas G25 - G25.1.....	53
	7.7	Conversion to gas G2.350.....	54
	7.8	Replacing the gas valve .....	54
	7.9	Replacing STB and NTC .....	54
	7.10	Replacing the modulation PCB.....	55
<b>SECTION</b>	<b>8.</b>	<b>MAINTENANCE .....</b>	<b>55</b>
<b>SECTION</b>	<b>9.</b>	<b>WIRING DIAGRAMS.....</b>	<b>57</b>
<b>SECTION</b>	<b>10.</b>	<b>LIST OF SPARE PARTS.....</b>	<b>58</b>
	10.1	Parts for the electrical panel.....	58
	10.2	Parts for the burner unit.....	59

## 1. GENERAL CAUTIONS

This manual is an integral part of the product and must always accompany it.

Should the equipment be sold or passed on to someone else, always make sure that this manual is supplied with the equipment for future reference by the new owner and/or installer.

The manufacturer shall not be held civilly or criminally responsible for injuries to people or animals or damages to things caused by incorrect installation, calibration and maintenance or by failure to follow the instructions contained in this manual or by operations carried out by unqualified staff.

This product must be used only for the applications for which it was designed or approved. Any other use must be regarded as hazardous. Improper use may impair the operation, service life and safety of the unit.

During the installation, operation and maintenance of the equipment described in this manual, the user must always strictly follow the instructions given in all the chapters of this use and instruction manual.

---

**The condensing warm air heater must be installed in compliance with current regulations, according to the manufacturer's instructions and by qualified staff, technically specialised in the heating field.**

---

First start-up, conversion between different types of gas and maintenance operations must be carried out only by suitably qualified staff of Technical Service Centres complying with the requisites required by the regulations in force in their country. Maintenance must be carried out with methods and timescales in compliance with the regulations in force in the country where the appliance is installed.

For Italy, the "technical service" tab of Apen Group website [www.apengroup.com](http://www.apengroup.com) indicates several Technical Service Centres that the user can contact to have the first start-up, adjustment and maintenance of the product carried out according to law 37/2007 (ex 46/90)

For more information, visit our website [www.apengroup.com](http://www.apengroup.com) or contact Apen Group directly.

The warranty conditions are specified on the warranty certificate supplied with this equipment.

## 2. SAFETY-RELATED WARNINGS

This chapter describes the safety instructions to be followed by machine operators.

### 2.1. Fuel

Before starting up the heater, make sure that:

- the gas mains supply data are compatible with the data stated on the nameplate;
- the combustion air intake ducts (when fitted) and the flue gas pipes are only those specified by the manufacturer;
- the combustion air is supplied in such a way as to avoid even partial obstructions of the intake grille (caused by leaves etc.);
- the gas seal of the feeding system has been tested and approved in compliance with the applicable standards;
- the heater is supplied with the same type of fuel it has been designed for;
- the system is correctly sized for such flow rate and is fitted with all safety and monitoring devices required by applicable standards;
- the inside of the gas pipes and air distribution ducts for ducted heaters have been thoroughly cleaned;
- the fuel flow rate is suitable for the power required by the heater;
- the fuel supply pressure is between the range specified on the nameplate.

---

**When connecting gas supply pipe to gas valve, do not tighten excessively in order to avoid damaging sealing gaskets. (See Par. 6 "Gas Connection")**

---

### 2.2. Gas Leaks

If you smell gas:

- do not operate electrical switches, the telephone or any other object or device that can cause sparks or naked flames;
- immediately open doors and windows to create an air flow to vent the gas out of the room;
- close the gas valves;
- switch off the power supply via a disconnector outside the unit;
- move away from the unit
- call for **qualified staff**.
- call the **Fire Brigade**.

---

**NOTE: IT is strictly prohibited to supply gas to the circuit with pressures higher than 60 mbar. Such pressures could cause the valve to break.**

---



## 2.3. Power supply

The heater must be correctly connected to an effective earthing system, made in compliance with current regulations (IEC 64-8, applies to Italy only).

### Cautions

- Check the efficiency of the earthing system and, if required, call out a qualified engineer.
- Check that the mains power supply is the same as the power input stated on the equipment nameplate and in this manual.
- Do not mistake the neutral for the live wire.
- The heater can be connected to the mains power supply with a plug-socket only if the latter does not allow live and neutral to be swapped.
- The electrical system and, more specifically, the cable section, must be suitable for the equipment maximum power input, shown on the nameplate and in this manual.
- Do not pull electric cables and keep them away from heat sources.

---

**NOTE: IT is compulsory to install, upstream of the power cable, a fused multipole switch with contact opening wider than 3mm. The switch must be visible, accessible and less than 3m away from the control board. All electrical operations (installation and maintenance) must be carried out by qualified staff.**

---

## 2.4. Use

Do not allow children or inexperienced people to use any electrically powered equipment.

The following instructions must be followed:

- do not touch the equipment with wet or damp parts of your body and/or with bare feet;
- do not leave the equipment exposed to the elements (rain, sun etc...) unless it is adequately protected;
- do not use the gas pipes to earth electrical equipment;
- do not touch the hot parts of the heater, such as the flue gas duct;
- do not wet the heater with water or other fluids;
- do not place any object over the equipment;
- do not touch the moving parts of the heater.

## 2.5. Maintenance

---

**Maintenance operations and combustion inspections must be carried out in compliance with current standards.**

---

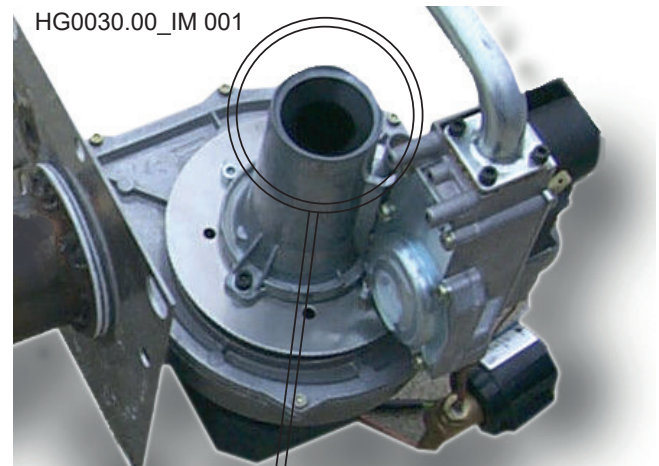
Before carrying out any cleaning and maintenance operations, isolate the boiler from the mains power supply using the switch located on the electrical system and/or on the shut-out devices. If the heater is faulty and/or incorrectly operating, switch it off and do not attempt to repair it yourself, but contact our local Technical Service Centre.

All repairs must be carried out by using genuine spare parts. Failure to comply with the above instructions could compromise the safety of the equipment and invalidate the warranty.

If the equipment is not used for long periods, shut the gas supply off through the gas stopcock and disconnect it from the power supply.

If the heater is to be put out of service, in addition to the above operations, potential sources of hazard on the unit must be disabled.

It is strictly forbidden to obstruct the Venturi pipe inlet, located on the burner-fan unit, with your hands or with any other objects. Any obstruction could cause a backfire from the premixed burner.



**DO NOT COVER IT WITH YOUR HAND OR OTHER OBJECTS!**

## 2.6. Transport and Handling

The heater is delivered fastened to a pallet and covered with a suitably secured cardboard box.

Unload the heater from the truck and move it to the site of installation by using means of transport suitable for the shape of the load and for the weight.

If the unit is stored at the customer's premises, make sure a suitable place is selected, sheltered from rain and from excessive humidity, for the shortest possible time.

Any lifting and transport operations must be carried out by skilled staff, adequately trained and informed on the working procedures and safety regulations.

Once the equipment is moved to the correct position, the unpacking operation can be started.

## 2.7. Unpacking

The unpacking operation must be carried out by using suitable tools or safety devices where required. Recovered packaging materials must be separated and disposed of according to applicable regulations in the country of use. While unpacking the unit, check that the unit and all its parts have not been damaged during transport and match the order. If damages have occurred or parts are found to be missing, immediately contact the supplier. The manufacturer is not liable for any damages occurred during transport, handling and unloading.

### Packing material disposal

The packing safeguards the product from transport damages. All the materials used are environmentally friendly and recyclable. Please contact a specialised distributor or your local administration for more information on waste disposal.

## 2.8. Disposal and Demolition

Should the machine be dismantled or demolished, the person in charge with the operation shall proceed as follows:

### Disposal of end-of-life products



This equipment is marked in compliance with European Directive 2012/19/EU on waste electrical and electronic equipment (WEEE). This Directive defines the rules for collecting and recycling waste equipments throughout the entire territory of the European Union.

WEEE contains both pollutants (that can negatively affect the environment) and raw materials (that can be reused). IT is therefore necessary to subject WEEE to appropriate treatments, in order to remove and safely dispose of pollutants and to extract and recycle raw materials. IT is forbidden to dispose of WEEE as unsorted waste. These operations facilitate recovery and recycling of the materials, thus reducing the environmental impact.

**NOTE: All materials recovered will be processed and disposed of according to what provided for by the laws in force in the country of use and/or according to the standards indicated in the safety sheets of the chemicals.**

### INFORMATION FOR DISPOSAL valid in ITALY (Legislative Decree 49/2014)

The heaters and relating accessories are considered "professional WEEE - waste electrical and electronic equipment". According to the legislation in force in Italy, professional WEEE must be sent to treatment plants suitable for these types of waste. Please contact the Apen Group for end-of-life products so as to obtain all the information necessary for their correct waste disposal, which is possible thanks to the Collective System (Union) to which the company is associated. Please remember that product disposal without complying with the mode described above is a violation liable to administrative and penal sanctions.

### INFORMATION FOR DISPOSAL valid abroad (EU COUNTRIES except Italy).

The European Directive 2012/19/EC shall be implemented in every EU member state. There may be different application modalities for the various member states, even in terms of modality for waste disposal depending on its type (House-hold or Professional WEEE). To this regard at the end of the life of the product, we highly recommend you call the distributor or installer so as to obtain information on the correct disposal, in compliance with the existing laws of the installation country.

## 2.9. Installation

The LK and LRP heat exchanger must be used in the following conditions:

- The fuel used must have a sulphur content according to the European standard, namely: maximum peak, for short periods, 150 mg/m<sup>3</sup>, annual average lower than 30 mg/m<sup>3</sup>;
- Combustion air must not contain chlorine, ammonia, alkalis, sulphides or sulphur derivatives; for example, installation near swimming pools or laundries exposes the unit to the effects of such agents; if this is the case it is necessary to take air from the outside.

### 3. TECHNICAL FEATURES

The LRP-RAPID PRO and LK-KONDENSA series modulating warm air heaters have been designed to heat industrial and commercial environments.

The heater PCB continually modulates the heat output between the minimum and maximum power, according to heating requirements.

The premixing and modulating technology allows the heater to achieve efficiency above 108% of the L.C.V.

The heater can operate independently and can be started up by simply connecting it to the mains power supply and to the mains gas supply.

The heat output of these heaters ranges between 5 and 97 kW.

The units can be controlled in three ways:

- with an ON-OFF control;
- externally via modbus (through Smart Web or Easy);
- proportionally, with a 0-10 Vdc external control.

The heat exchanger complies with the manufacturing requirements for condensing warm air heaters, according to prevailing standards (EN17082:2019).

The combustion chamber and the surfaces in contact with condensation (such as the pipe bundle and exhaust hood), are made of AISI 441, in order to provide high resistance to condensation and temperature.

The following table shows the conversion of stainless steels used:

USA-AIS	EN-No.	COMPOSITION
AISI 441	1.4509	X2 CrTiNb 18

The innovative design and large heat exchanging surface of the combustion chamber and of the pipes ensure optimum efficiency and durability.

The burner is made entirely of stainless steel with special mechanical solutions to ensure optimal reliability and performance levels, as well as high thermal and mechanical resistance.

The control located on the front panel allows the service centre to check and view the working phases and identify any faults that may have occurred.

#### Inherent Safety

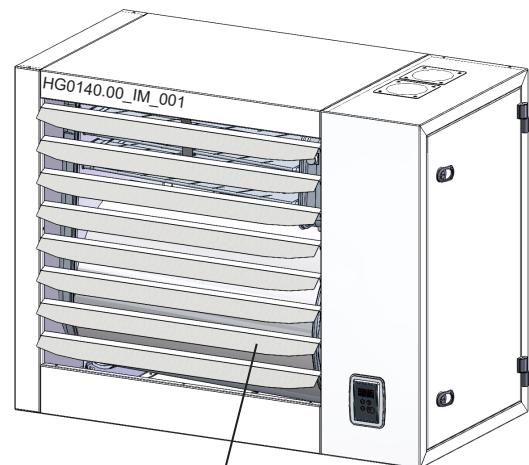
The efficiency increase at minimum power is achieved by using a sophisticated air/gas mixing technique and by regulating at the same time the combustion air flow and the fuel gas flow.

This technology increases the heater safety as the gas valve supplies the fuel according to the air flow. Unlike atmospheric burners, the CO<sub>2</sub> content remains constant throughout the heater operating range, allowing the heater to increase its efficiency when the heat output reduces.

If there is no combustion air, the valve will not supply gas; if the combustion air flow reduces, the valve will automatically reduce the gas flow yet will keep its combustion parameters at optimal levels.

#### Low emissions

The premixed burner, in combination with the air/gas valve, ensures "clean" efficient combustion having very low emissions.



**ATTENTION: Before switching the heater on, open the louvers by at least 45°.**

## 3.1. Technical Data

Model*		LRP018- OX00	LRP028- OX00	LRP035- OX00	LRP045- OX00	LRP055- OX00	LRP075- OX00	LRP102- OX00							
Type of equipment		B23 - B23P - C13 - C33 - C43 - C53 - C63													
EC approval	PIN.	0476CQ0451													
NOx class [EN17082:2019]	Val	5													
Type of fuel		Gaseous													
<b>Heater Performance</b>															
		min	max	min	max	min	max	min	max	min	max	min	max	min	max
Furnace heat input (Hi)	kW	10.1	16.5	16	27	20.2	34.8	26	44	29.8	52.2	44.4	73.5	51.8	100
Useful heat output [ $P_{min}$ , $P_{rated}$ ]*	kW	9.7	15.1	15.4	24.6	19.6	32.4	25.0	40.6	28.8	48.1	42.5	67.5	49.9	91.1
Hi Efficiency (N.C.V.) [ $\eta_{pl}$ , $\eta_{nom}$ ]*	%	95.8	91.8	96.3	91.2	96.8	93.1	96.3	92.3	96.8	92.1	95.8	91.8	96.4	91.1
Hs efficiency (G.C.V.) [ $\eta_{pl}$ , $\eta_{nom}$ ]*	%	86.2	82.6	86.7	82.1	87.1	83.8	86.7	83.1	87.1	82.9	86.2	82.6	86.8	82.0
Flue losses with burner on (Hi)	%	4.2	8.2	3.7	8.8	3.2	6.9	3.7	7.7	3.2	7.9	4.2	8.2	3.6	8.9
Flue losses with burner off (Hi)	%	<0,1		<0,1		<0,1		<0,1		<0,1		<0,1		<0,1	
<b>Flue gas emissions</b>															
Carbon monoxide - CO - (0% of O <sub>2</sub> ) <sup>(1)</sup>	ppm	<5		<5		<5		<5		<5		<5		<5	
Emissions of nitrogen oxides - NOx* (0% of O <sub>2</sub> ) (Hi) <sup>(2)</sup>		51 mg/kWh-29 ppm		55 mg/kWh - 31 ppm		42 mg/kWh - 24 ppm		55mg/kWh-31 ppm		46 mg/kWh - 26 ppm		60 mg/kWh - 34 ppm		67 mg/kWh - 38 ppm	
Emissions of nitrogen oxides - NOx* (0% of O <sub>2</sub> ) (Hs) <sup>(7)</sup>		46mg/kWh-26 ppm		49 mg/kWh - 28 ppm		38 mg/kWh - 21 ppm		49mg/kWh-28 ppm		42 mg/kWh - 23 ppm		54 mg/kWh - 31 ppm		60 mg/kWh - 34 ppm	
Pressure available at the flue	Pa	80		100		120		120		130		140		140	
Flue gas temperature, CO <sub>2</sub> content and maximum flue gas flow rate: see gas tables on page 38 and on the following pages															
<b>Electrical Characteristics</b>															
Supply voltage	V	230 Vac - 50 Hz single-phase													
Rated power	kW	0.1	0.143	0.15	0.197	0.13	0.184	0.25	0.32	0.268	0.33	0.454	0.493	0.49	0.582
Protection Rating	IP	IP 20													
Operating Temperatures	°C	from -15°C to +40°C - for lower temperatures, a burner housing heating kit is required <sup>(8)</sup>													
Storage Temperatures	°C	-25°C to +60°C													
<b>Connections</b>															
Ø gas connection <sup>(3)</sup>	GAS	UNI/ISO 228/1-G 3/4"	UNI/ISO 228/1-G 3/4"	UNI/ISO 228/1-G 3/4"	UNI/ISO 228/1-G 3/4"	UNI/ISO 228/1-G 3/4"	UNI/ISO 228/1-G 3/4"	UNI/ISO 228/1-G 3/4"	UNI/ISO 228/1-G 3/4"	UNI/ISO 228/1-G 3/4"	UNI/ISO 228/1-G 3/4"	UNI/ISO 228/1-G 3/4"	UNI/ISO 228/1-G 3/4"	UNI/ISO 228/1-G 3/4"	UNI/ISO 228/1-G 3/4" <sup>(4)</sup>
Intake/exhaust pipes Ø	mm	80/80		80/80		80/80		80/80		80/80		80/80		100/100 <sup>(5)</sup>	
<b>Air flow rate</b>															
Air flow rate (15° C)	m <sup>3</sup> /h	2000		2700		3100		4300		4500		7800		9000	
Air temperature increase	°C	13.9	21.7	16.4	26.1	18.1	30.0	16.7	27.1	18.4	30.6	15.6	24.8	18.1	33.5
Number and diameter of fans (no. of poles)		1 X Ø350 (6P)		1 X Ø350(4P)		1 X Ø450(6P)		1 X Ø450(4P)		1 X Ø450(4P)		2 X Ø400 (4P)		2 X Ø450 (4P)	
Fans speed	rpm	920		1370		970		1370		1370		1370		1370	
Sound pressure (Lp) <sup>(6)</sup>	dB(A)	34		44		40		49		49		51		52	
<b>Weight</b>															
Net Weight	kg	58		58		68		70		78		102		123	
Weight with packaging	kg	73		73		85		88		96		126		149	

### NOTES:

\* Symbol in compliance with Reg.EU/2281/2016.

(1) Value referred to cat. H (G20)

(2) Weighted value to EN17082 ref. to cat. H (G20), referred to net calorific value (Hi, N.C.V.)

(3) The gas line must be dimensioned according to the length of the routing and not to the heater input diameter.

For countries requiring an ISO connection different from the one shown, an adaptor will be supplied.

(4) For LRP102 models, the minimum gas supply duct diameter must be UNI/ISO 228/1- G 1".

(5) Ø100/100 obtained by using adaptors supplied as standard.

(6) Measured at a distance of 6 m from the machine.

(7) Weighted value to EN17082 ref. to cat. H (G20), referred to gross calorific value (Hs, G.C.V.)

(8) If the burner housing heater kit is installed, add 105 W (230V) to the rated power value on the nameplate.

Model		LK020-0X00	LK034-0X00	LK045-0X00	LK065-0X00	LK080-0X00	LK105-0X00						
Type of equipment		B23 - B23P - C13 - C33 - C43 - C53 - C63											
EC approval	PIN.	0476CQ0451											
NOx class [EN17082:2019]	Val	5											
Type of fuel		Gaseous											
<b>Heater Performance</b>													
		min	max	min	max	min	max	min	max	min	max	min	max
Furnace heat input (Hi)	kW	4.75	19.00*	7.60	34.85	8.50	42.00	12.40	65.00	16.40	82.00	21.00	100.00
Useful heat output [ $P_{min}$ , $P_{rated}$ ]*	kW	4.97	18.18	8.13	33.56	8.97	40.45	13.40	62.93	17.77	80.03	22.77	97.15
Hi Efficiency (N.C.V.) [ $\eta_{pl}$ , $\eta_{nom}$ ]*	%	104.63	95.68*	106.97	96.30	105.50	96.30	108.06	96.82	108.35	97.60	108.40	97.15
Hs efficiency (G.C.V.) [ $\eta_{pl}$ , $\eta_{nom}$ ]*	%	94.26	86.20	96.37	86.76	95.07	86.76	97.36	87.22	97.62	87.93	97.68	87.52
Flue losses with burner on (Hi)	%	0.4	4.3	0.6	3.7	0.5	3.7	0.2	3.2	0.3	2.4	0.2	2.8
Flue losses with burner off (Hi)	%	<0,1		<0,1		<0,1		<0,1		<0,1		<0,1	
Max. condensation <sup>(1)</sup>	l/h	0.4		0.9		1.1		2.1		3.3		2.7	
<b>Flue gas emissions</b>													
Carbon monoxide - CO - (0% of O <sub>2</sub> ) <sup>(2)</sup>	ppm	< 5		< 5		< 5		< 5		< 5		< 5	
Emissions of nitrogen oxides - NOx** (0% of O <sub>2</sub> ) (Hi) <sup>(3)</sup>		29 mg/kWh - 16 ppm		51 mg/kWh - 29 ppm		36 mg/kWh - 20 ppm		45 mg/kWh - 25 ppm		31 mg/kWh - 18 ppm		40 mg/kWh - 23 ppm	
Emissions of nitrogen oxides - NOx** (0% of O <sub>2</sub> ) (Hs) <sup>(3)</sup>		26 mg/kWh - 15 ppm		46 mg/kWh - 26 ppm		32 mg/kWh - 18 ppm		41 mg/kWh - 23 ppm		28 mg/kWh - 16 ppm		36 mg/kWh - 20 ppm	
Pressure available at the flue	Pa	80		90		100		120		120		120	
								Flue gas temperature, CO <sub>2</sub> content and maximum flue gas flow rate: see gas tables on page 38 and on the following pages					
<b>Electrical Characteristics</b>													
Supply voltage	V	230 Vac - 50 Hz single-phase											
Rated power	kW	0.147	0.180	0.270	0.310	0.280	0.310	0.420	0.510	0.500	0.613	0.650	0.750
Protection Rating	IP	IP 20											
Operating Temperatures	°C	from -15°C to +40°C - for lower temperatures, a burner housing heating kit is required <sup>(9)</sup>											
Storage Temperatures	°C	-25°C to +60°C											
<b>Connections</b>													
Ø gas connection <sup>(4)</sup>	GAS	UNI/ISO 228/1-G 3/4"		UNI/ISO 228/1-G 3/4"		UNI/ISO 228/1-G 3/4"		UNI/ISO 228/1-G 3/4"		UNI/ISO 228/1-G 3/4" <sup>(5)</sup>		UNI/ISO 228/1-G 3/4" <sup>(5)</sup>	
Intake/exhaust pipes Ø	mm	80/80		80/80		80/80		80/80		100/100 <sup>(6)</sup>		100/100 <sup>(6)</sup>	
<b>Air flow rate</b>													
Air flow rate (15° C)	m <sup>3</sup> /h	2700		4300		4500		7800		9000		11100	
Air temperature increase	°C	5.28	19.30	5.42	22.37	5.73	25.74	4.92	23.13	5.66	25.49	5.89	25.09
Number and diameter of fans		1 x Ø350		1 x Ø 450		1 x Ø450		2 x Ø400		2 x Ø450		3 x Ø400	
Fans speed	rpm	1370		1370		1370		1370		1370		1370	
Sound pressure (Lp) <sup>(7)</sup>	dB(A)	44		49		49		51		52		54	
<b>Weight</b>													
Net Weight	kg	58		72		79		98		129		145	
Weight with packaging	kg	73		90		97		122		155		173	

**NOTES:**

\* Symbol in compliance with Reg.EU/2281/2016.

(1) Max. condensation produced acquired from testing at 30%Qn.

(2) Value referred to cat. H (G20)

(3) Weighted value to EN17082 ref. to cat. H (G20), referred to net calorific value (Hi, N.C.V.).

(4) The gas line must be dimensioned according to the length of the routing and not to the heater input diameter.

For countries requiring an ISO connection different from the one shown, an adaptor will be supplied.

(5) For the LK080 and LK105 models, the minimum gas supply duct diameter must be UNI/ISO 228/1- G 1".

(6) Ø100/100 obtained by using adaptors supplied as standard.

(7) Measured at a distance of 6 m from the machine.

(8) Weighted value to EN17082 ref. to cat. H (G20), referred to gross calorific value (Hs, G.C.V.).

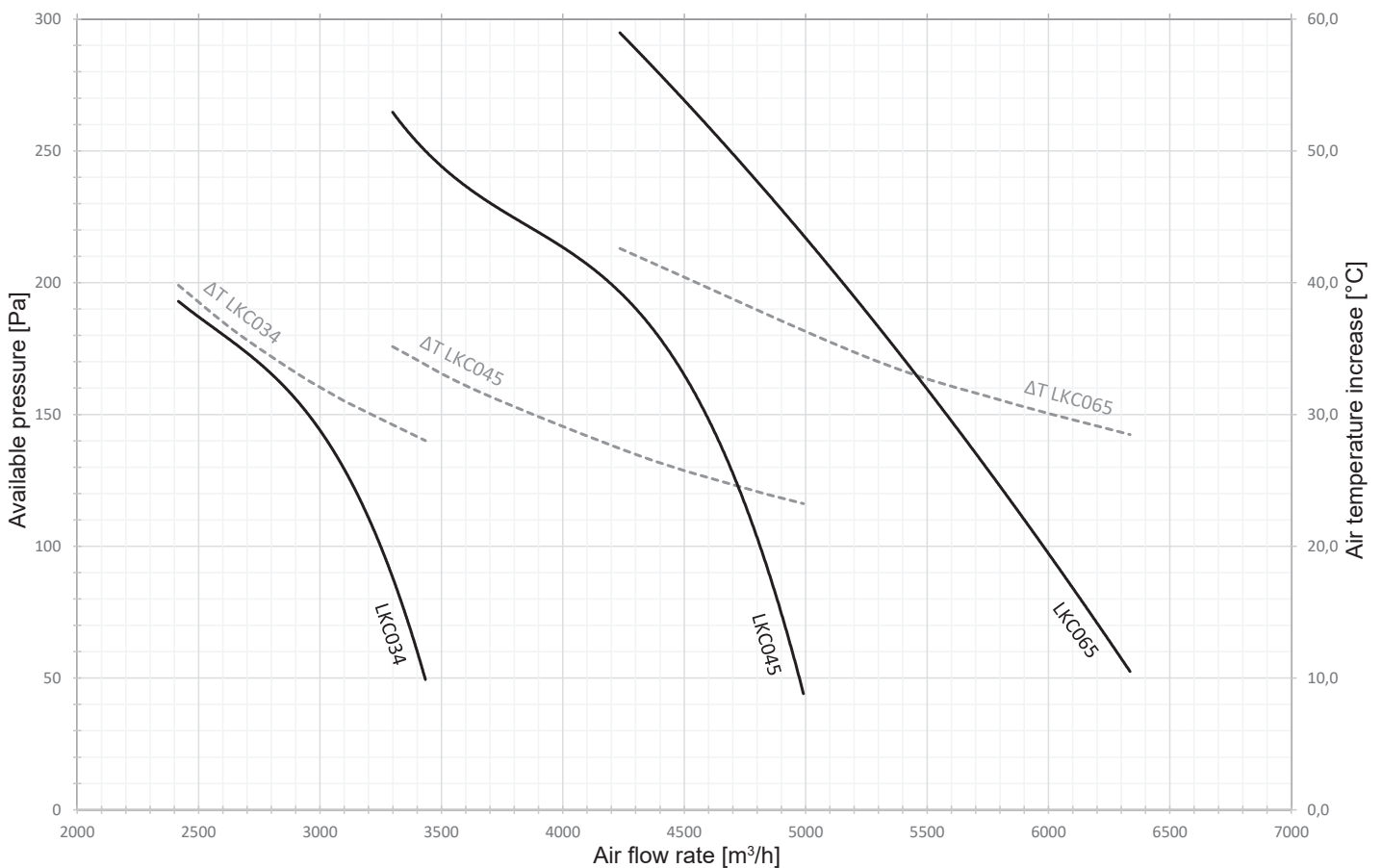
(9) If the burner housing heater kit is installed, add 105 W (230V) to the rated power value on the nameplate.



## 3.2. Technical data of centrifugal models

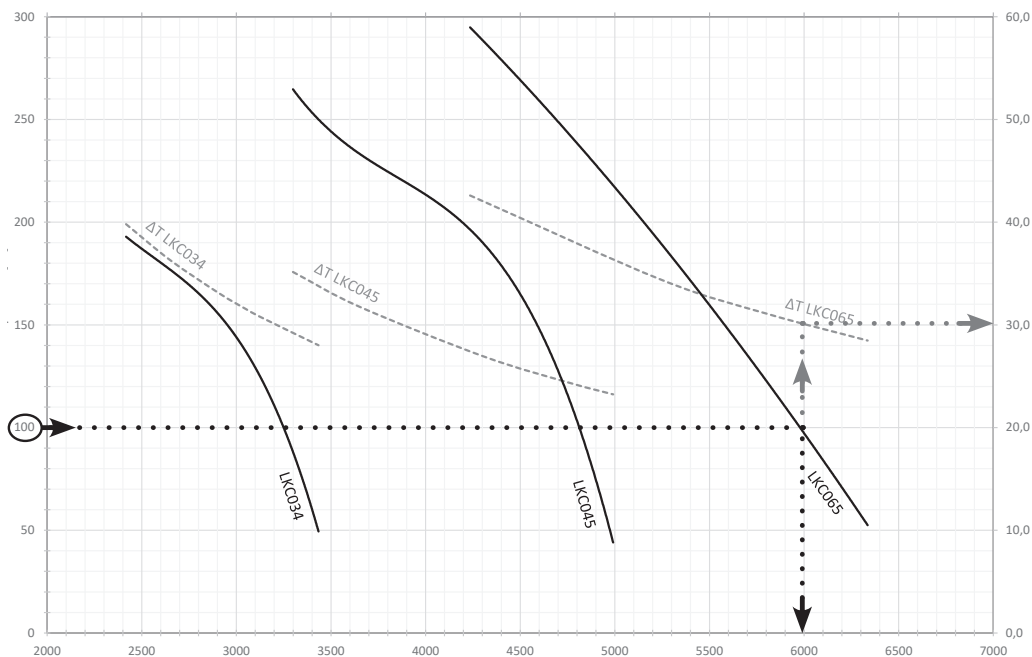
Model*		LRP035 -0XC0	LRP055 -0XC0	LRP075 -0XC0	LKC034- 0X00	LKC045- 0X00	LKC065- 0X00
Type of equipment		B23 - B23P - C13 - C33 - C43 - C53 - C63					
EC approval	PIN.	0476CQ0451					
NOx class [EN17082:2019]	Val	5					
Type of fuel		Gaseous					
<b>Heater Performance</b>							
		See LRP035	See LRP055	See LRP075	See LK034	See LK045	See LK065
<b>Flue gas emissions</b>							
		See LRP035	See LRP055	See LRP075	See LK034	See LK045	See LK065
<b>Electrical Characteristics</b>							
		See LRP035	See LRP055	See LRP075	See LK034	See LK045	See LK065
<b>Connections</b>							
		See LRP035	See LRP055	See LRP075	See LK034	See LK045	See LK065
<b>Air flow rate</b>							
Air flow rate (15° C)	m³/h	3050	4650	7850	3050	4650	5650
Available pressure	Pa	140	140	140	140	140	140
Rated power	kW	1.120	1.260	2.080	1.120	1.260	2.080

Graph "Air flow rate - pressure drop" of centrifugal heaters



The graph shows the air flow rate curves according to the pressure loss of the LKC centrifugal heaters and the air temperature increase curves ( $\Delta T$ ) based on the flow rate (dashed curves) for the same models.

Following is a graph reading example:



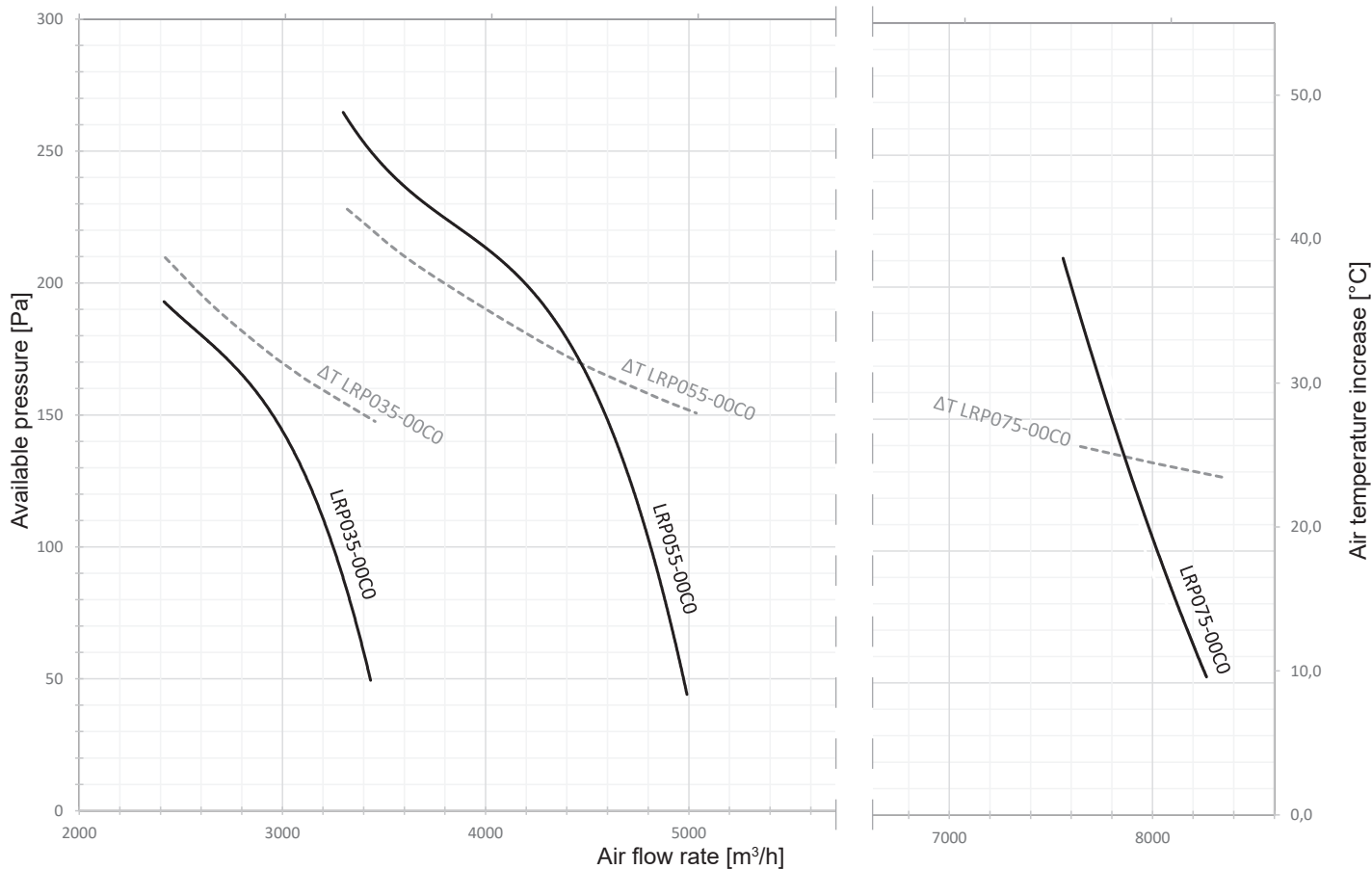
**Model LKC045-0X00**

Available pressure: 100 Pa

Air flow rate: 6000 m<sup>3</sup>/h

$\Delta T$ : 30°C

Graph "Air flow rate - pressure drop" of LRP-0XC0 centrifugal heaters



The graph shows the air flow rate curves according to the pressure loss of the LRP-0XC0 centrifugal heaters and the air temperature increase curves ( $\Delta T$ ) based on the flow rate (dashed curves) for the same models.

### 3.3. REGULATION (EU) 2016/2281

Product Information in accordance with Annex 2 point 5 a)

Model: See table  
 Warm air heaters B1 [yes/no]: No  
 Warm air heaters C2 [yes/no]: No  
 Warm air heaters C2 [yes/no]: No  
 Type of fuel [gaseous/liquid/electricity]: Gaseous

Model	Capacity		Useful efficiency		Other elements					Consumption of Power supply		
	Rated heating capacity	Minimum capacity	Useful efficiency at rated heating capacity	Useful efficiency at minimum capacity	Casing loss factor	Ignition burner consumption	Emissions of nitrogen oxides	Output efficiency	Seasonal space heating energy efficiency	At rated heating capacity	At minimum capacity	In stand-by mode
	$P_{rated,h}$	$P_{min}$	$\eta_{nom}$	$\eta_{pl}$	$F_{env}$	$P_{ign}$	$NO_x$	$\eta_{s,flow}$	$\eta_{s,h}$	$el_{max}$	$el_{min}$	$el_{sb}$
	kW	kW	%	%	%	kW	mg/Wh ref.CV	%	%	kW	kW	kW
LRP018-0X00	15.1	9.7	82.6	86.2	0.0	0.0	46	94.9	78.3	0.063	0.024	0.005
LRP028-0X00	24.6	15.4	82.1	86.7	0.0	0.0	49	93.8	78.1	0.069	0.023	0.005
LRP035-0X00	32.4	19.6	83.8	87.1	0.0	0.0	38	93.1	78.2	0.074	0.023	0.005
LRP045-0X00	40.2	25.0	83.1	86.7	0.0	0.0	49	93.7	78.3	0.074	0.026	0.005
LRP055-0X00	48.1	28.9	82.9	87.1	0.0	0.0	42	92.9	78.1	0.102	0.028	0.005
LRP075-0X00	67.5	42.5	82.6	86.2	0.0	0.0	54	94.1	78.2	0.112	0.033	0.005
LRP102-0X00	91.1	49.9	82.0	86.8	0.0	0.0	60	93.8	78.9	0.121	0.030	0.005
LK020-0X00	18.2	5.0	86.1	94.3	0.0	0.0	26	97.5	90.4	0.045	0.011	0.005
LK034-0X00	33.6	8.1	86.7	96.3	0.0	0.0	46	97.3	92.1	0.074	0.011	0.005
LK045-0X00	40.6	9.0	87.0	95.0	0.0	0.0	32	97	90.7	0.082	0.024	0.005
LK065-0X00	62.9	13.4	87.2	97.3	0.0	0.0	41	97.4	93.2	0.097	0.015	0.005
LK080-0X00	80.0	17.8	87.9	97.6	0.0	0.0	28	97.1	93.1	0.123	0.040	0.005
LK105-0X00	97.2	22.8	87.5	97.6	0.0	0.0	36	97.0	93.1	0.130	0.020	0.005
LKC034-0X00	33.6	8.1	86.7	96.3	0.0	0.0	46	96.1	86.2	0.074	0.011	0.005
LKC045-0X00	40.6	9.0	87.0	95.0	0.0	0.0	32	97.1	86.0	0.082	0.024	0.005
LKC065-0X00	62.9	13.4	87.2	97.3	0.0	0.0	41	96.3	87.4	0.097	0.015	0.005
LRP035-0XC0	32.4	19.6	83.8	87.1	0.0	0.0	38	93.0	78.1	0.074	0.023	0.005
LRP055-0XC0	48.1	28.9	82.9	87.1	0.0	0.0	42	93.2	78.3	0.102	0.028	0.005
LRP075-0XC0	67.5	42.5	82.6	86.2	0.0	0.0	54	94.3	78.3	0.112	0.033	0.005

### 3.4. Noise

#### Sound power

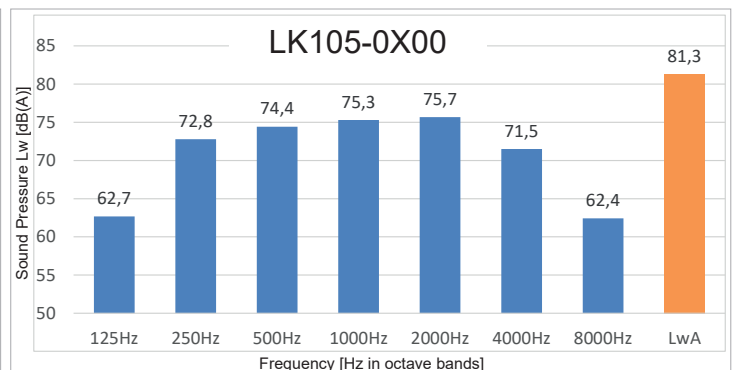
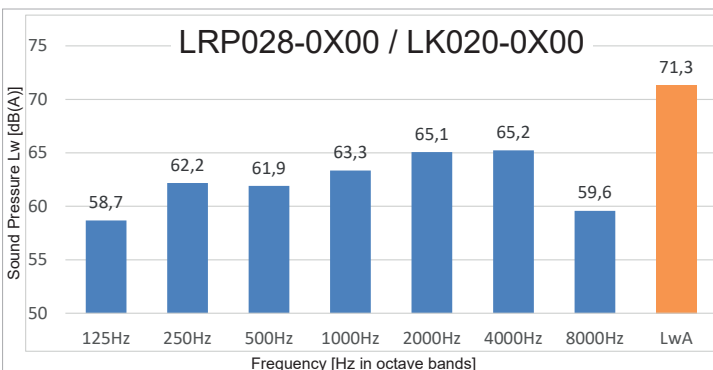
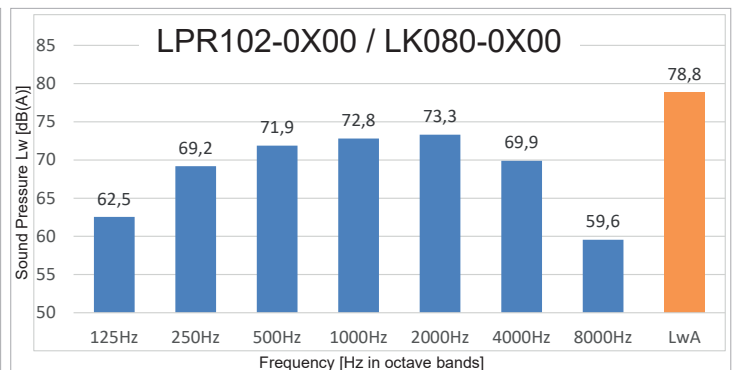
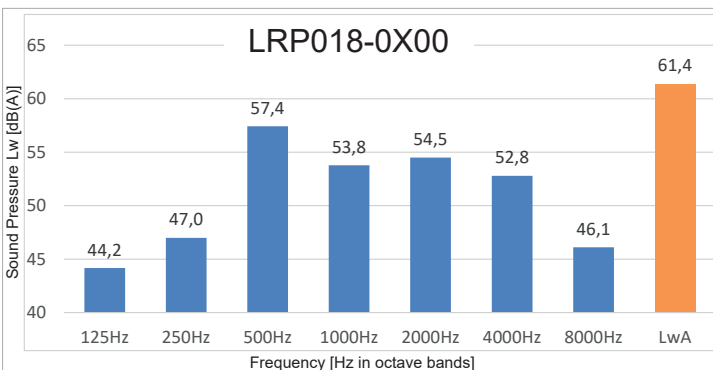
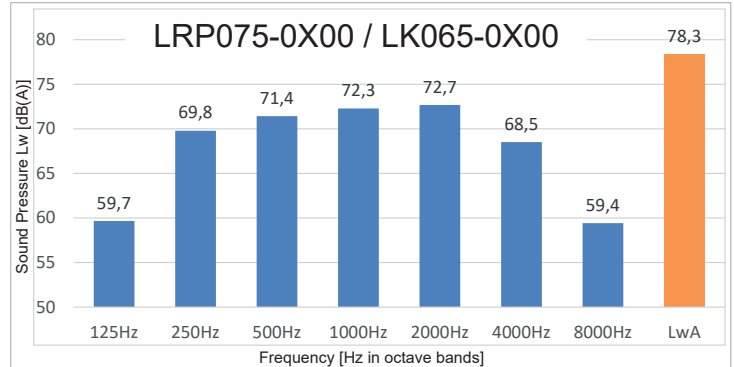
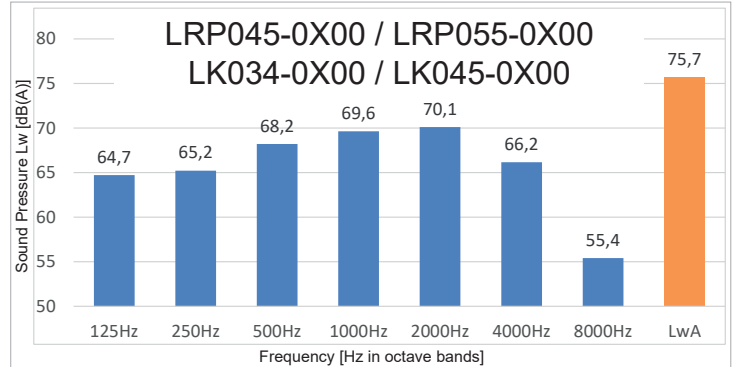
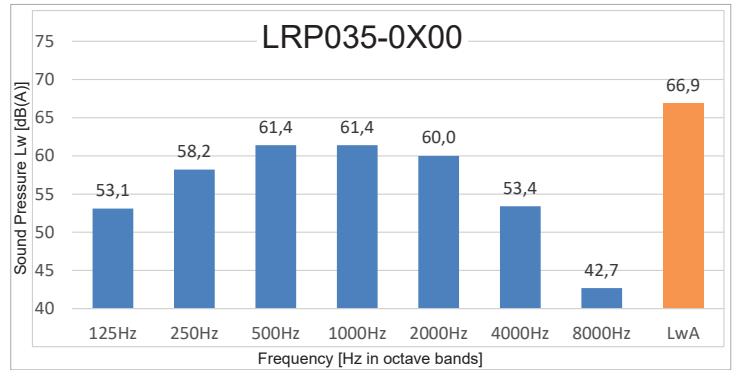
The sound power of a source (energy emitted per unit time) is a characteristic of the same source and does not depend on the environment in which the sound is emitted: this measurement allows comparing the noise of different machines.

The sound power of the LK and LRP warm air heaters has been measured in a reverberation room according to the following standard:

**ISO 3741 Acustica - Determinazione dei livelli di potenza sonora e dei livelli di energia sonora delle sorgenti di rumore mediante misurazione della pressione sonora - Metodi di laboratorio in camere riverberanti**

*ISO 3741 Acoustics - Determination of sound power levels and sound energy levels of noise sources using sound pressure - Precision methods for reverberation test rooms*

APEN GROUP has chosen to use one-speed fans favouring the air flow rate to increase the system output, decrease the stratification in the room and thus the time required to heat the room.

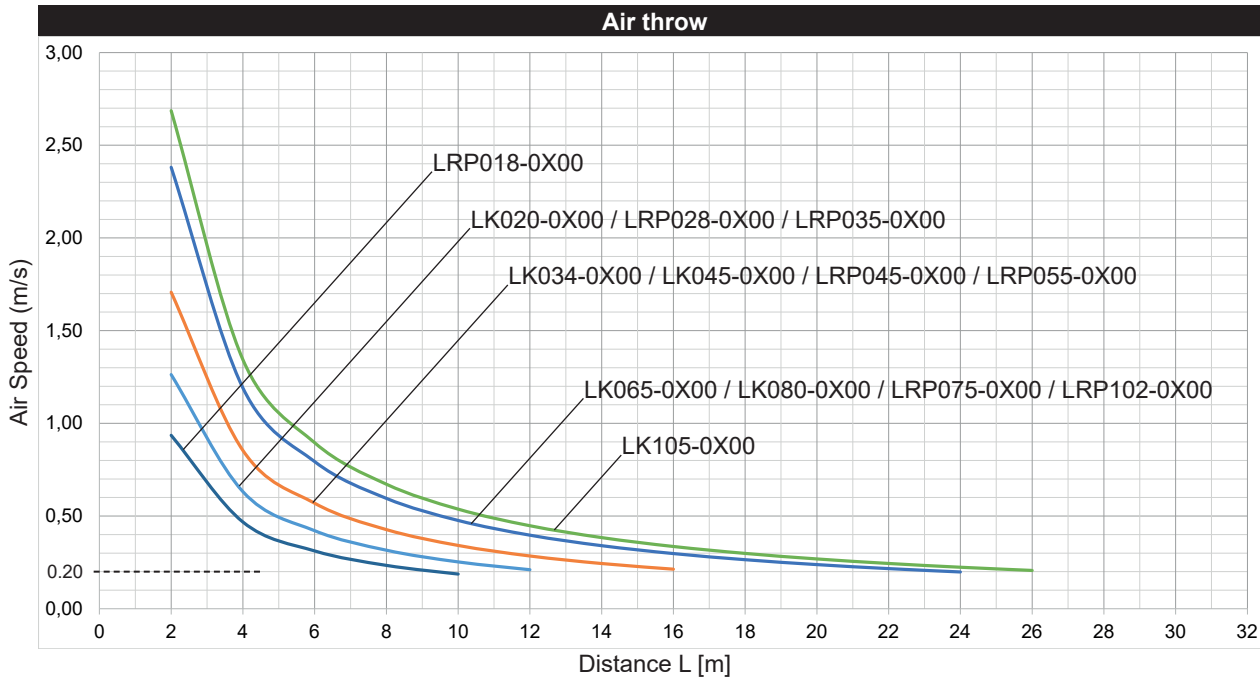


## 3.5. Air flow performance

The air flow range, or air throw, is the distance reached by the air jet before its speed decreases and equals the reference speed, assumed to be 0.2 m/s.

The throw depends on the speed of the air leaving the heater, which in turn depends on the air flow rate and on the section of the heater air passage.

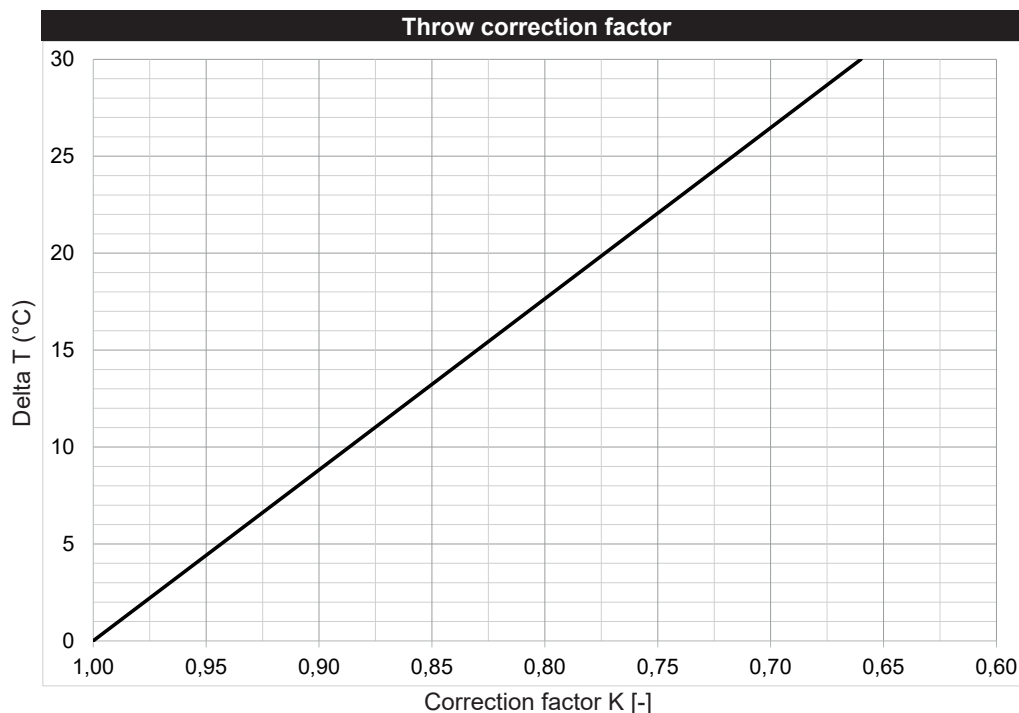
Below is a graph showing the air speed as a function of the distance from the heater outlet. The curves shown in the graph refer to isothermal air throw conditions (i.e. with the warm air heater switched off and therefore at constant air temperature over the entire supply surface) and with horizontal and parallel supply fins.



In non-isothermal conditions (warm air heater operating) the air throw is reduced proportionally to the temperature difference between the warm supply air and the room air ("air temperature increase"  $\Delta T$  values - see table "Technical data", paragraph 3.1). For example, with a  $\Delta T$  of 15K, the throw is about 83% of the isothermal throw.

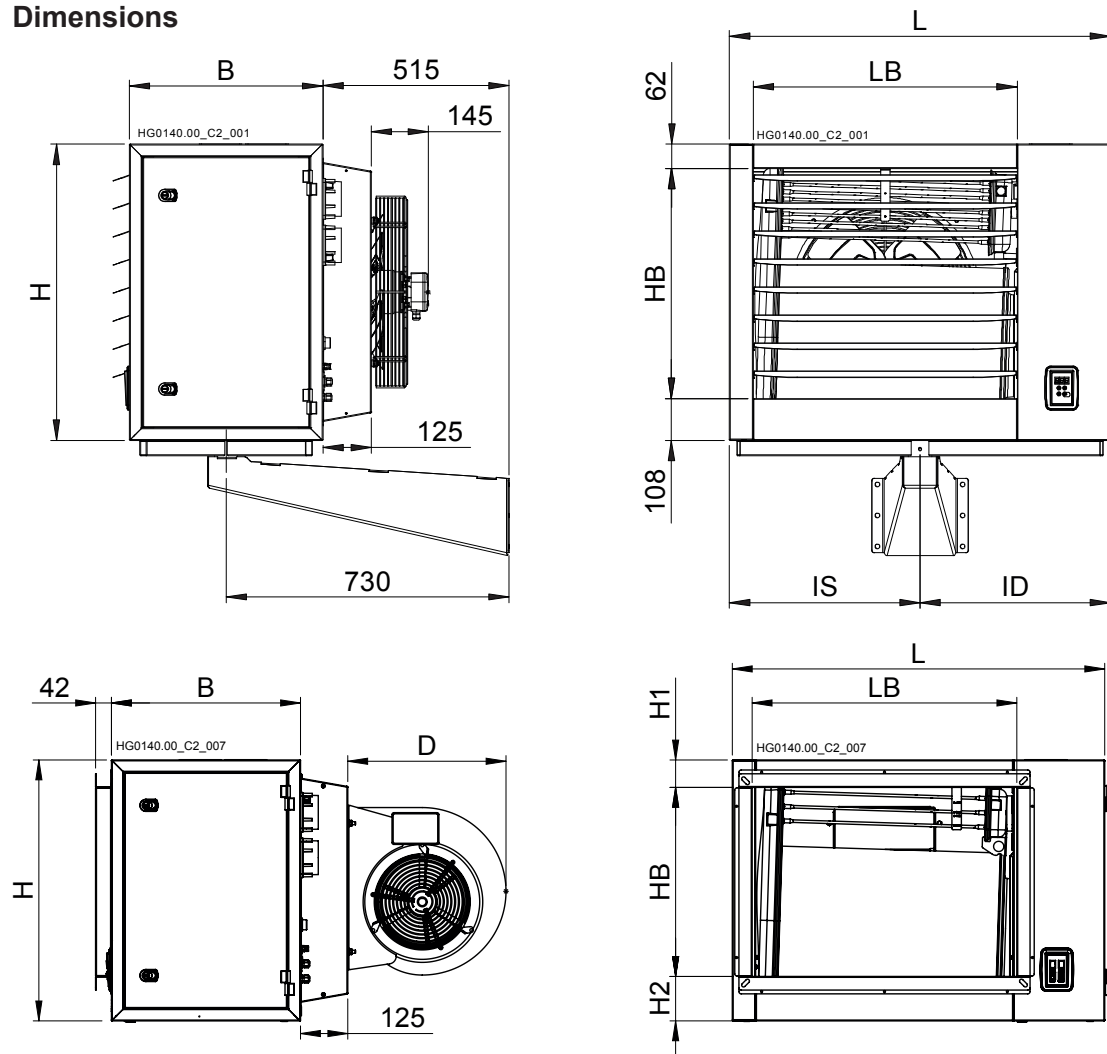
The corrected throw value ( $L_c$ ) on the basis of the  $\Delta T$  is as follows:

$$L_c = L * K$$

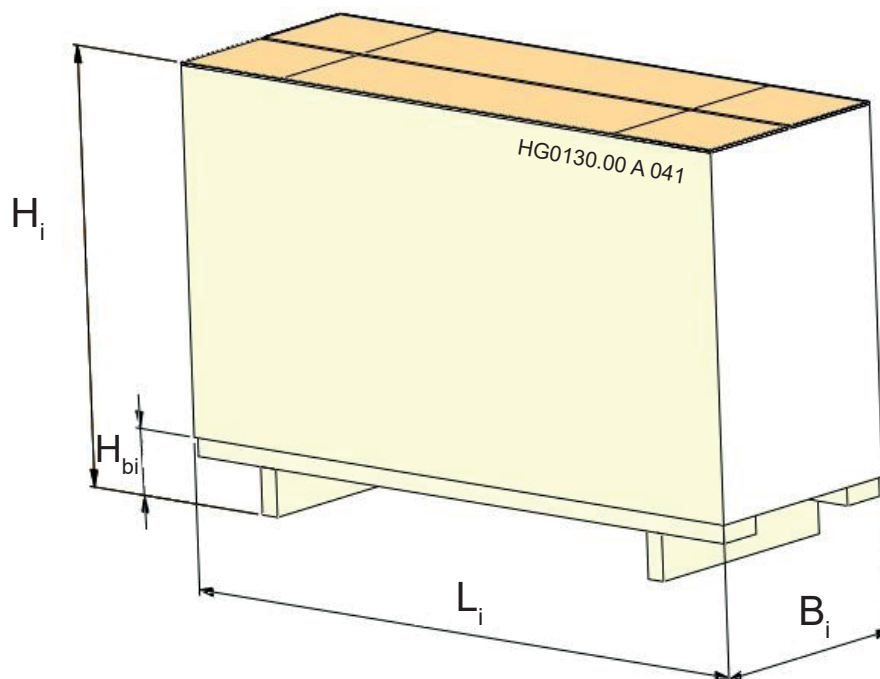




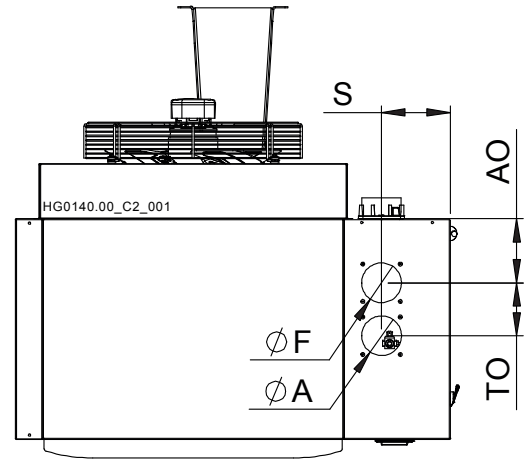
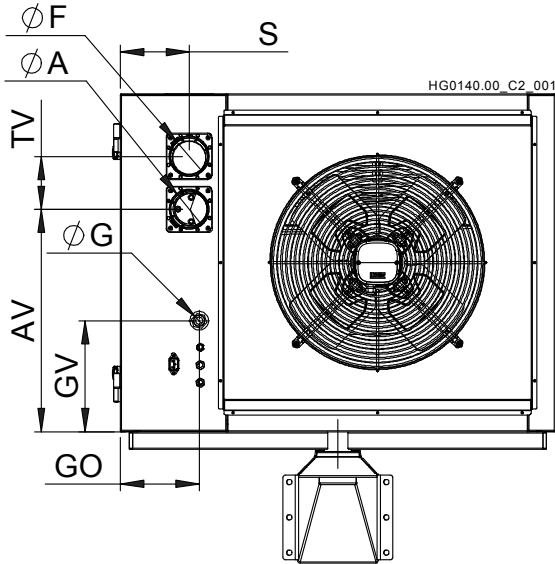
## 3.6. Dimensions



Mod. LRP and LK	Overall dimensions				Louvre				Shelf		Supply GAS		
	B	H	L	D	HB	LB	H1	H2	IS	ID	ØG	GO	GV
LRP018-0X00, LRP028-0X00, LK020-0X00	500	690	795	425	520	490	74	118	395	400	3/4"	180	255
LRP035-0X00, LRP045-0X00, LK034-0X00			985						680	490			
LRP055-0X00, LK045-0X00		765	1010	605	710								
LRP075-0X00, LK065-0X00		1310	1180	720	795								
LRP102-0X00, LK080-0X00		845	1410	805	935								
LK105-0X00		1740											
LRP035-0XC0, LKC034-0X00		690	490	600	700	61	105						
LRP055-0XC0, LKC045-0X00		985											
LRP075-0XC0, LKC065-0X00	765	1310	420	600	1000					180	255		



Mod. LRP and LK	Packaging			
	Bi	Li	Hi	Hbi
LRP018-0X00, LRP028-0X00, LK020-0X00	815	870	850	118
LRP035-0X00, LRP045-0X00, LK034-0X00	815	1065	850	118
LRP055-0X00, LK045-0X00	815	1065	920	118
LRP075-0X00, LK065-0X00	815	1395	920	118
LRP102-0X00, LK080-0X00	815	1595	1040	118
LK105-0X00	815	1820	1040	118
LRP035-0XC0, LKC034-0X00	1165	1065	850	112
LRP055-0XC0, LKC045-0X00	1165	1065	920	112
LRP075-0XC0, LKC065-0X00	1115	1400	920	112



Mod. LRP and LK	Horizontal exhausts (STD)				
	A	F	AV	TV	S
LRP018-0X00, LRP028-0X00, LK020-0X00	80	80	430	120	155
LRP035-0X00, LRP045-0X00, LK034-0X00			505		
LRP055-0X00, LK045-0X00					
LRP075-0X00, LK065-0X00					
LRP102-0X00, LK080-0X00	100*	100*	560	140	185
LK105-0X00					

\* Obtained by LK using the adaptors supplied as standard

Mod. LRP and LK	Vertical drains (OPT.)				
	A	F	AO	TO	S
LRP018-0X00, LRP028-0X00, LK020-0X00	80	80	145	120	155
LRP035-0X00, LRP045-0X00, LK034-0X00					
LRP055-0X00, LK045-0X00					
LRP075-0X00, LK065-0X00					
LRP102-0X00, LK080-0X00	100*	100*		140	185
LK105-0X00					

\* Obtained by using the adaptors supplied as standard

## 4. USER'S INSTRUCTIONS

### 4.1. Operating Cycle

The wall mounted LRP and LK heaters operation is fully automatic; they are equipped with electronic equipment with self check facility that manages all the burner control and monitoring operations and with a microprocessor based electronic PCB that controls the heat output regulation.

The heat demand depends on SMART parameter setting of the heater PCB:

- SMART = 0: SMART not present and modulation with  $NTC1 < ST1$ ;
- SMART = 1: uses PID and ON/OFF of the SMART;
- SMART = 2: uses only ON/OFF command of the SMART.

The boiler is switched on when the following two conditions are met:

- the heater is powered on and has not been locked out;
- the contact is closed on ID0-GND terminals of the heater PCB.

In these conditions the burner fan will be immediately started; after pre-cleaning time has elapsed, the flame will light up with an ignition power equal to approximately 30% of its maximum output. Once the flame stabilising time has expired, the burner will start to modulate its heat output according to the supply air temperature.

If there is no flame during the ignition phase, the heater will make other 4 ignition attempts; at the fifth attempt, if ignition is not successful, the heater will be locked out.

The heater will be switched off when the ID0-GND contact opens on the terminal board; disconnecting the power supply is prohibited, except for emergencies because, when the heater is switched off, the fume extractor fan will continue to work for approximately 90 seconds to clean up the combustion chamber (combustion chamber post-cleaning phase).

Failure to perform the post-cooling operations on the exchanger will cause:

- a shorter lifetime of the exchanger and the guarantee will be null and void;
- the safety thermostat to operate and the associated requirement to manually reset the heater.

If, during the cooling cycle, there is a new demand for heat, the modulation PCB will wait for the cooling fans to shut down and then reset the counters and start a new cycle.

---

**IMPORTANT: Powering off the machine before completing the cooling cycle and/or with machine set to ON is strictly prohibited. Failure to follow these instructions shall invalidate the warranty and cause early deterioration of the heat exchanger.**

---

### 4.2. Interface Panel

The LRP and LK heaters are fitted as standard with a multifunction LCD panel located on the front panel of the suspended heater, which is used to control, configure and diagnose all operating parameters of the equipment.

This panel cannot be remotely controlled.

The panel is fitted with a red 3-digit LCD display and with four function keys:  $\uparrow$ ,  $\downarrow$ , ESC and ENTER; the display allows the user to display the heater operating mode and its Faults. It also allows the service centre to change the main operating parameters. Changing parameters requires a password.

#### Viewing the machine status

The machine status is shown on the display by the following wordings:

<b>rdy</b>	OFF FROM SUPERVISOR Unit off and waiting for ON command from the supervisor (Smart X) or the room temperature control system
<b>Sty</b>	REMOTE OFF Unit turned off by ID0/GND remote digital input
<b>OFF</b>	OFF FROM LCD PANEL Unit turned off from LCD control on board of the machine
<b>Exx</b>	OFF FROM ALARM Unit turned off from Exx alarm. (e.g. "E10") <b>Any heat demands will be ignored</b>
<b>HEA</b>	UNIT RUNNING (Heating)
<b>Air</b>	UNIT RUNNING (Ventilation)
<b>COO</b>	UNIT RUNNING (Conditioning)*
<b>SAn</b>	UNIT RUNNING (Domestic)* (*only in the presence of Smart)

During normal operation, the display will show the wording **HEA** if the burner is on; **rdy** or **Sty** when the boiler is being switched off or the room temperature has been reached.

**Air "CTRL\_07" control (parameter C71=1) under the PAR menu has been enabled by mistake; change C71=0**

**Axx Unit address;**  
If the module has an address other than  $\emptyset$ , the display will show, alternating it with the operation in progress, the address assigned to the module. (e.g. "A01")

In the event of communication problems between the CPU PCB and the LCD panel, the word **CPU** will flash on the display if the problem is caused by the CPU; three flashing dots will be displayed if the problem is caused by the display PCB. If needs be, check that the display and the PCB are correctly connected and that the small cable RJ11 is securely held in the connector. EPr will be displayed if the problem is caused by the EEPROM PCB. If so, check that the EEPROM PCB is properly inserted inside the connector.

#### Navigating the menu

The menu has three levels. The first and the second are accessible without entering a password, the third requires entering writing-level passwords to change the parameters. Also with modbus address other than  $\emptyset$ , all parameters can be viewed and/or edited through the remote control.

Use the ↑ (up arrow) and ↓ (down arrow) buttons to scroll through the menus. To select the menu, or select the parameter, press ENTER. The parameter can be changed using the arrows: pressing ↑ (up arrow) increases the parameter by 1, pressing ↓ (down arrow) reduces it by 1. When the arrow keys are pressed for at least three seconds, the parameter scrolling speed is increased. To confirm a change in parameters, press ENTER. A change in the parameter is indicated by the display flashing. To exit the parameter or menu, press ESC. If you exit the programming function, after about 10 minutes the program will exit the menu and go back to the "machine status" display. All submenus can be scrolled from the bottom to the top, and they start over when the end of the menu is reached.

## First level menus

The following information is available on the first level:

<b>Machine status</b>	Provides information on unit operation (rdy/Sty/OFF/HEA/Air/COO/SAn)
<b>Axx</b>	Shows the address assigned to the CPU OCB of the unit (1 to 15); it is displayed alternating with "Machine Status" (e.g., "A01" = address1)
<b>Exx</b>	In case of an alarm in progress, shows the error code (e.g. "E10")

## Second level menu

The following menus are available on the second level:

<b>Fun</b>	Allows to select the type of functioning from Aut or OFF
<b>rEg</b>	Allows to force the burner at minimum or maximum output in order to perform combustion tests;
<b>dEG</b>	Allows to activate the system deaeration cycle; the cycle involves circulator ON 20" - circulator OFF 5", until exit from the menu
<b>inP</b>	Allows to display the status of inputs
<b>Out</b>	Allows to display the status of outputs
<b>PAr</b>	Allows to display and edit (after entering the password) parameters of adjustments, functions and controls

## Operation - Fun Menu

Allows to select the type of operation of the CPU PCB, between AUT (automatic) and OFF (off).

<b>OFF</b>	Has priority also over external controls (Smart X type)
<b>Aut</b>	Corresponds to ON, the system sets itself up to receive inputs from the remote control (Smart X), adjustments, or external controls

## Adjustment - rEg Menu

Allows to force the burner operation at maximum (Hi) or minimum (Lo) output, to carry out any combustion tests. The burner returns to the initial state automatically at the end of the set time (about 10 minutes)

<b>Hi</b>	Burner set to maximum output
<b>Lo</b>	Burner set to minimum output

## Input - InP Menu

Allows to display the value and/or status of analogue and digital inputs. For the meaning and the default values, please refer to the table CPU PCB Parameters of Paragraph 5.6 "Modulation PCB Parameters".

<b>nt1</b>	"Value" for NTC1 probe temperature (modulation)
<b>nt2</b>	"Value" for NTC2 probe temperature (not used)
<b>nt3</b>	"Value" for NTC1 probe temperature (not used)
<b>An0</b>	"Value" for Number of flue gas fan revolutions (Premix)
<b>An1</b>	"Value" for Analogue input voltage B1 (0-10V)
<b>An2</b>	"Value" for Analogue input voltage B2 (0-10V)
<b>An3</b>	"Value" for Analogue input B3 (not used)
<b>id0</b>	Open/closed status of "OPn/CLS" Id0 digital input (remove ON/OFF)
<b>id1</b>	Open/closed status of "OPn/CLS" Id1 digital input (Remote Reset)
<b>id2</b>	Open/closed status of "OPn/CLS" Id2 digital input (Summer ventilation)
<b>id3</b>	Open/closed status of "OPn/CLS" Id3 digital input
<b>id4</b>	Open/closed status of "OPn/CLS" 230 Vac Id4 input (1=contact closed; 0=alarm E24 in progress)
<b>id5</b>	Open/closed status of "OPn/CLS" 230 Vac Id5 input (1=contact closed; 0=alarm E25 in progress)

## Output - Out Menu

Allows to display the value and/or status of analogue and digital outputs. For the meaning and the default values, please refer to the table CPU PCB Parameters of Paragraph 5.6 "Modulation PCB Parameters".

<b>y0</b>	"Value" of PWM (%) for flue gas fan (premix)
<b>y1</b>	"Value" for Y1 output (PWM %)
<b>y2</b>	"Value" for Y2 output (0-10 Vdc) - EC fan(s)
<b>y3</b>	"Value" for Y3 output (0-10 Vdc)
<b>ion</b>	"Value" (%) of flame detection signal (100: value >2mA)
<b>U1</b>	Open/closed status of "OPn/CLS" Q1 output (Lockout signal)
<b>U2</b>	Open/closed status of "OPn/CLS" Q2 output
<b>U3</b>	Open/closed status of "OPn/CLS" Q3 output
<b>rL1</b>	Open/closed status of "OPn/CLS" RL1 relay (0=circulator/fan OFF; 1=circulator/fan ON)

## Parameters - PAr Menu

Allows to display, and edit, the value of the main parameters of the CPU PCB. For the meaning and the default values, please refer to the table CPU PCB Parameters of Paragraph 5.6 "Modulation PCB Parameters".

By entering the menu, it is possible to display parameter values inside the relevant submenu

<b>rGL</b>	(adjustments parameters)
<b>CrL</b>	(controls parameters)
<b>Fnu</b>	(functions parameters)
<b>rtU</b>	(modbus serial parameters)

In order to change the value of the parameters, it is necessary to enter the password in the **Abi** submenu.



## Entering the password

- From the home screen (rdy/Sty/OFF/HEA/Air/COO/SAn/EXX) press ENTER then use the ↑ (up arrow) and ↓ (down arrow) arrows to go to the PAR item; use the ↑ (up arrow) and ↓ (down arrow) arrows to go to the ABI item and press ENTER;
- Set the password inside the ABI menu and confirm it with ENTER (the flashing display will confirm that the parameter has been stored);
- Press ESC to return to the PAR menu
- Move with the ↑ and ↓ arrows to scroll within the PAR menu to the desired submenu item (rGL, CrL, Fnu, rtU);
- Press ENTER to access the submenu;
- Use the ↑ and ↓ arrow keys to select the parameters to be displayed and edited;
- Press ENTER to display the parameter value;
- Use the ↑ and ↓ arrows to edit the value;
- Press ENTER to confirm the change made;
- To exit the parameter and the menu, press ESC until the home screen is displayed.

## 4.3. Reset

The modulation PCB allows the operator to identify more than 30 different causes of lockouts. This allows a precise diagnostics managing each event very accurately.

To reset a lockout, press both ↑ and ↓ arrows simultaneously for a few seconds.

It is possible to operate the lockout reset remotely using one of the following solutions:

- the digital input ID1-GND - button N.O.;
- the Smart X Web/Easy control - optional;
- the ModBus protocol, if implemented by the manufacturer of the machine containing the PCH module.

If ignition fails, the flame monitoring PCB reattempts ignition four times. After four failed attempts, it will lock out and will display the code E10.

The lockout codes and their cause are shown in the ERRORI table in Paragraph 5.5 "Analysis of Lockouts - Exx".

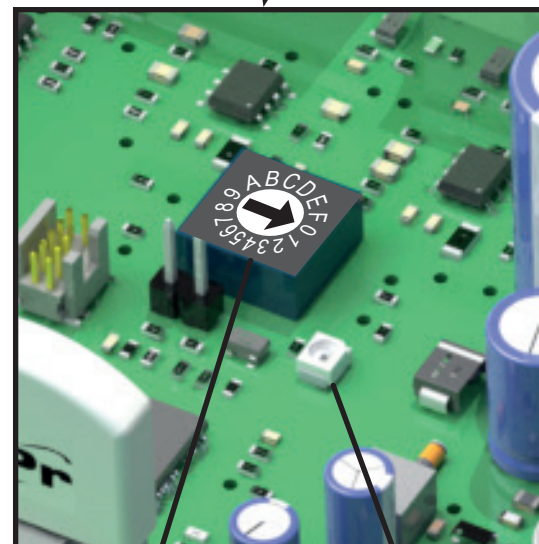
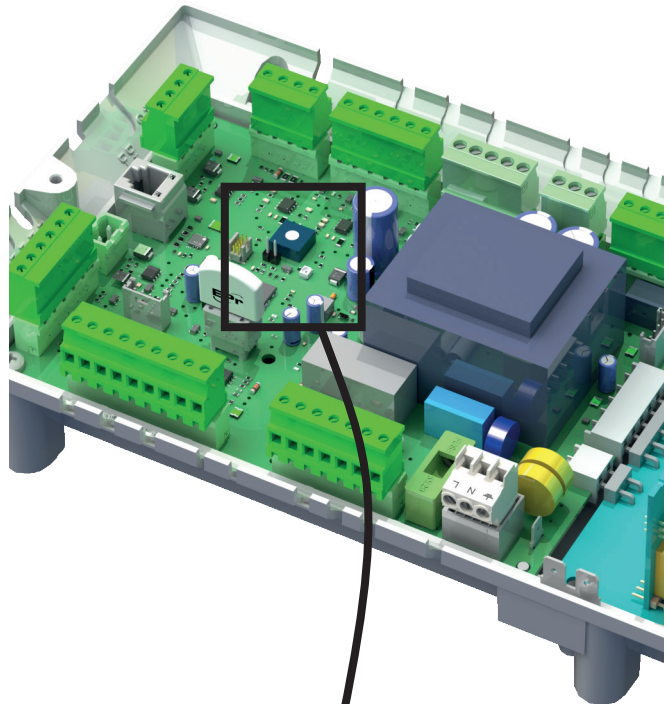
If the flame monitoring equipment has locked out (errors from E10 to E22), it can be reset by using the dedicated button on the equipment itself. This type of lockout is also shown by a warning LED that lights up.

**ATTENTION: The flame monitoring equipment stores the number of manual resets that are performed remotely over time. If ignition fails with more than 5 resets performed in 15 minutes it switches to "timed" lockout (E13). In this case, it is required to wait another 15 minutes before remotely resetting it again. The reset button on the equipment allows to reset lockout E13 immediately.**

**NOTE: SHOULD THE SAFETY THERMOSTAT (STB) BE OPEN BEFORE STARTING THE START-UP CYCLE (THIS COULD BE CAUSED, FOR EXAMPLE, BY LOW TEMPERATURES), THE FLAME MONITORING EQUIPMENT WILL BE KEPT IN "STAND-BY" INDICATING LOCKOUT E22.**

## 4.4. Flame indication LED

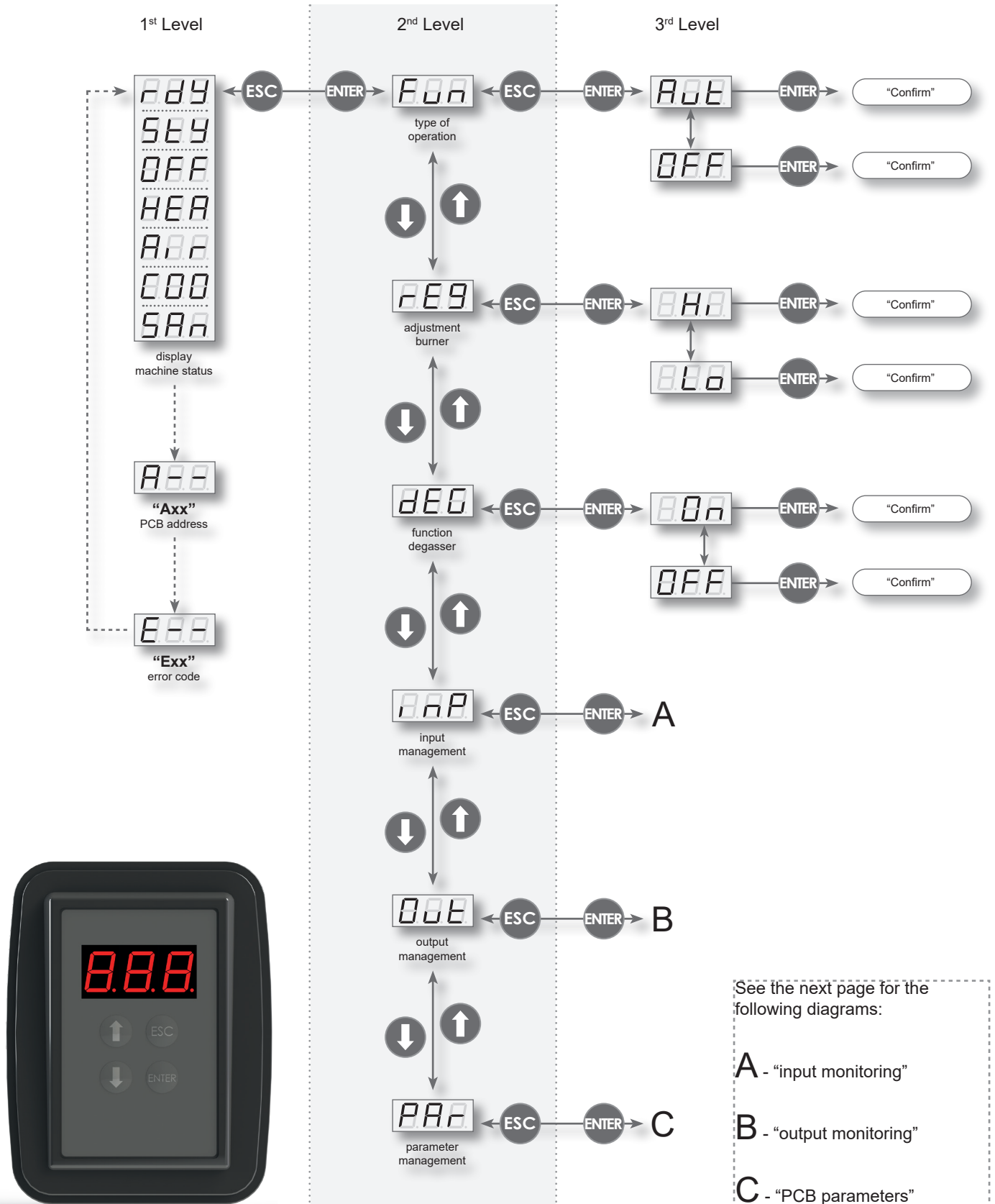
An orange LED is present on board the CPU PCB, indicating the opening of the gas valve and/or the presence of flame.



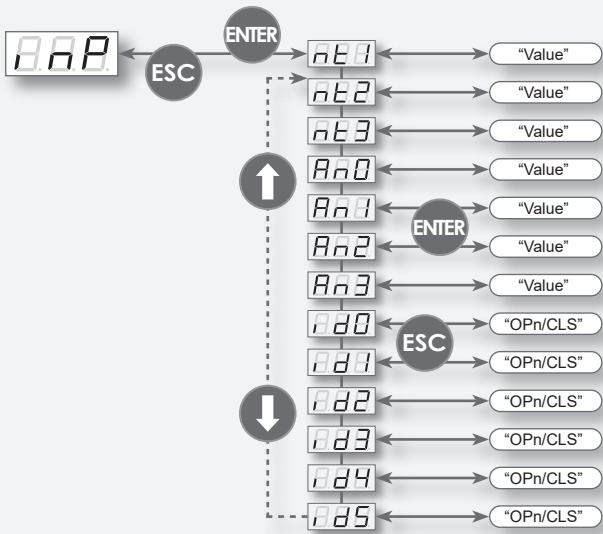
Switch for CPU PCB address

Flame indication LED

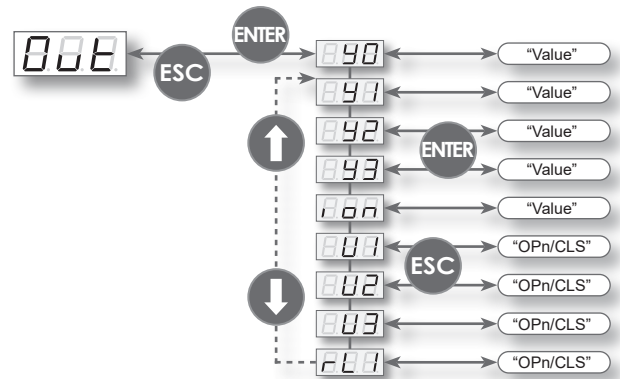
## 4.5. Navigation map of LCD display menu CPUE G26800



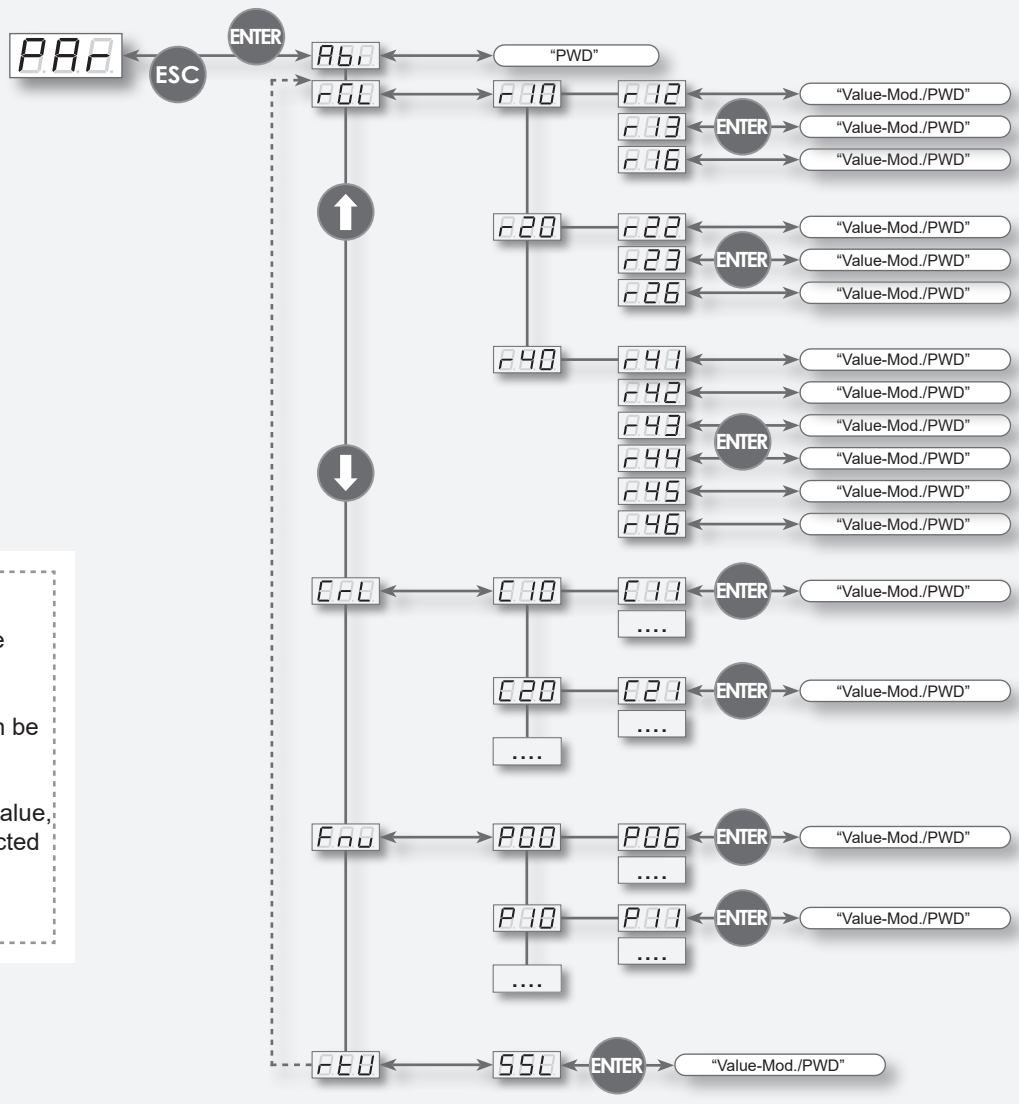
## A - "input management"



## B - "output management"



## C - "PCB parameters"



### Key:

"Value" = value which cannot be modified, read-only value

"Value-Mod." = Value which can be modified, write value

"Value-Mod./PWD" = Editable value, value in writing. Password-protected

"PWD" = Password entry

## 4.6. Adjustment

The LRP or LK heaters have three heat output regulation modes:

- 0-10 Vdc;
- ModBus;
- NTC1 temperature probe.

**NOTE: The NTC1 probe is always active as a limit, even with 0-10V and ModBus regulation modes.**



To correctly set the regulation mode, it is necessary to program SMART parameter, which identifies the type of regulation associated with the heater.

Function	SMART parameter programming	Regulation mode
Modulation Flame	SMART=0 Not present	NTC1 - Modulation with NTC1 NTC1 and external 0-10v - modulation will be on the lowest temperature
	SMART=1	Modbus - PID modulation and ON/OFF of the SMART.

### Safety thermostats

LRP-LK heaters are fitted with a safety thermostat with automatic reset and positive safety setting. A safety operation of this thermostat occurs when its sensitive component is broken.

The triggering of the thermostat, through the flame monitoring equipment, causes the burner stop and the flame equipment lockout.

The lockout of the unit, caused by the safety thermostat triggering, is indicated on the LCD display of the CPU PCB on board the machine with E20/E22.

The lockout E20 is classified as "non-volatile" and requires a manual reset.

Near the safety thermostat, there is an NTC1 probe set to the value of the ST1 parameter (R12), which "cuts" the burner heat output when the set point is reached, regardless of the 0/10 Vdc input signal. The probe monitors the heat output/cooling air flow ratio.

It is not advisable to change the ST1 value (R12) without consulting the APEN GROUP Service Centre.

## 4.7. Accessories

### Ambient temperature adjustment

The LRP and LK heaters are supplied without remote control and/or thermostat to regulate the room temperature as they can operate with the most common remote controls available on the market: APEN GROUP can supply several dedicated remote controls that can be integrated as accessories.

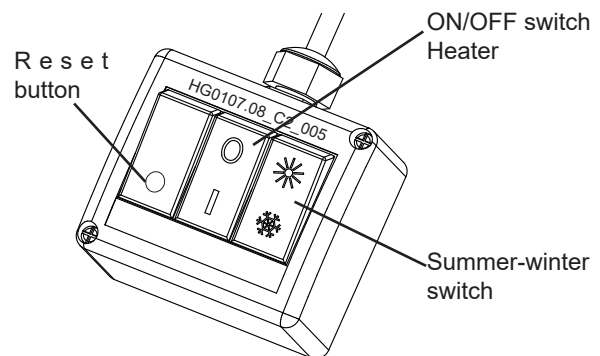
Types of remote control:

- ordinary remote control;
- thermostat or chronothermostat;
- Smart X Web (code G29700) or Smart X Easy (code G29500).

Instructions on how to operate the accessories can be found in manuals supplied with the accessories.

### Operation with ordinary remote control (OPTIONAL)

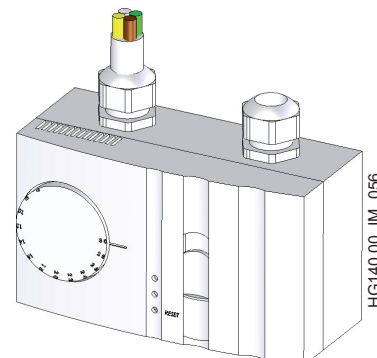
IT is possible to install an ordinary remote control with a voltage free contact, across terminals ID0/GND of the heater modulation PCB; when the contact opens/closes, the heater switches on/off. To simplify the heater operation, Apen Group can provide an optional accessory (code G27800) that allows its operation to be remotely controlled. The remote control G27800 allows the user to switch the equipment on and off [0/I], to switch between summer/winter, to receive a signal in case of lockout and to operate the reset button.



### Operation with thermostat (OPTIONAL)

By connecting to the heater a thermostat with a voltage-free contact between the ID0/GND terminals of the heater modulation PCB.

Apen Group can provide an optional thermostat (code G27400) that allows to switch the heater on/off by means of room temperature control, during heating, and allows managing summer ventilation and remote reset.





## Operation with chronothermostat (OPTIONAL)

The heater operation is entirely automatic and, by using a chronothermostat, the ambient temperatures can be regulated. The chronothermostat and the PCB monitor all the control and regulation functions, whilst the safety functions are performed by the flame monitoring equipment and by the safety thermostats.

**NOTE: To control the room temperature, the heater must be connected to a room thermostat (or chronothermostat) or to an ON/OFF switch.**

If a thermostat supplied by third parties is installed, the room temperature must be programmed on the thermostat. In this type of installation, we recommend that the remote controls G29700 or G29500 shown below are used so that the user can check the lockout conditions and, if necessary, remotely reset the heater.

## Operation with SMART X series (WEB or EASY) chronothermostat (OPTIONAL)

The remote controls of the Smart X series (WEB G29700 or EASY G29500) act as a chronothermostat and can be used to remotely control and manage all the parameters of the heater. Through ModBus protocol, they can be used as a monitoring device for a single zone system at the same temperature, where up to 15 machines can be installed simultaneously, controlled by a single control.



The remote controls of the Smart series are equipped with a colour TFT 4.3" touch screen (480x272 pixel resolution), from which it is possible to read and adjust all the parameters of the connected devices, performing the function of supervisor/viewer and controller (active part of the regulation) able to:

- display the status of the burners
- display the percentage of modulation
- manage alarms and resets
- manage the units in automatic or manual mode
- manage the weekly and annual calendar planning
- manage the scheduling of daily time slots.

To use the Smart series chronothermostat, simply set, on each heater, the CPU PCB address other than 0 (ModBus management). The address of the modulation boards of the heaters must be set as shown below.

To activate the heating request, close input ID0 of the heater modulation PCB (by closing terminals ID0/GND, voltage-free dry contact), ID4 (by closing terminals ID4/ID5, contact live 230v), ID5 (by closing terminals IDC/ID5, contact live 230v)

and input ID1 of the Smart (by closing terminals ID1/GND, voltage-free dry contact).

The Smart X (WEB or EASY) remote controls are powered with a voltage of 12 Vdc +10%/-15%.

An integrated temperature probe allows the management of the room temperature of the controlled area; the remote controls of the Smart series also offer the possibility to connect up to 3 individually programmable remote probes, in addition to the one integrated on board, as main or additional probes, which allow obtaining an average room temperature on 4 points.

The remote NTC probes that can be connected must be of 10 KΩ, β 3435 type and connected to NTC/NTC terminals.

**NOTE: The remote NTC probes are optional external probes (code G07202 or G23300); not to be mistaken with the modulation probe NTC1.**

The remote controls of the Smart X series allow, through the PID regulation, calculating in real time a percentage of modulation of the power needed to reach the desired set-point and sending it to each heater, obtaining economic savings and ensuring a greater degree of room comfort.

**The WEB version, in addition, allows the complete management of all the system functions, including unit resets, directly from a PC connected to the network, without having to install any additional software, but simply through a browser interface.**

For more information on operation and installation diagrams, please refer to the manual **"SMART X WEB / SMART X EASY CHRONOTHERMOSTAT. Operating, Installation and Programming Manual"**.

## Analogue and digital inputs

Should it be necessary to remotely connect one or more analogue inputs, through the connection of an external NTC probe, the relevant cable sections are indicated below according to the cable length:

Type	Length < 50 m	Length < 100 m
NTC	0.5 mm <sup>2</sup>	1 mm <sup>2</sup>

**ATTENTION: All remote controls must have a maximum connection length of less than 10 m and up to 500 m in the case of Smart series chronothermostats.**

**NOTE: Always keep the cables coming from the analogue and digital inputs separated (about 5 cm) from the power load cables to avoid possible electro-magnetic disturbances. Never insert power cables and signal cables into the same cable duct.**



## 5. INSTALLATION INSTRUCTIONS

Instructions for installing and setting the heater are intended for suitably qualified personnel only.

### 5.1. General installation instructions

Where allowed, the heater can be installed directly in the room to be heated.

To install the heaters inside the rooms, different regulations and requirements must be complied with according to the type of fuel used and to the country of destination.

In fact, the installer must strictly comply with applicable standards and regulations in the country where the machine will be installed and therefore set up.

#### Air Vents

The room where gas fired heater will be installed must be provided with one or more air vents.

These air vents must be fitted:

- flush to the ceiling for gases with density lower than 0.8;
  - flush to the floor for gases with density higher or equal to 0.8.
- The air vents must be fitted to walls facing the open air. The sections must be sized according to the heat output installed.

#### Condensate drain (LK only)

The heater is supplied completed with water trap to drain the condensation. The water trap is an integral part of the heater and is regarded as a safety component; therefore, replacing it with a different type, not approved by the heater's manufacturer is prohibited.

The condensate must be drained in compliance with standards applicable in the country where the heater is installed.

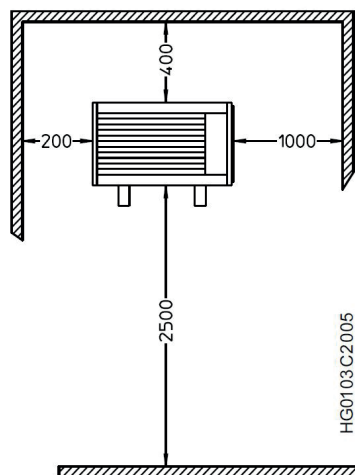
### 5.2. Installation

MINIMUM DISTANCES TO BE OBSERVED

The minimum installation distances of the heaters from the walls and the floor, indicated in the following drawing, are necessary for the maintenance activities and are expressed in mm. They refer to walls of at least REI30 type and in class 0. Otherwise, the minimum distances must be:

- > 600 mm from walls
- > 1000 mm from the ceiling.

2500 mm is the minimum height required by the standard to consider the application of "suspended" machines.



Two types of supporting shelves, fixed and rotating, are available for the installation.

The codes for the available shelves are:

- G27900 Fixed shelf kit for LRP018-055 or LK020-045;
- G27820 Rotating shelf kit for LRP018-028 or LK020;
- G27830 Rotating shelf kit for LRP035-055 or LK034-045;
- G27850 Rotating shelf kit for LRP075-102 or LK065-080;
- G27870 Rotating bracket kit LK105.

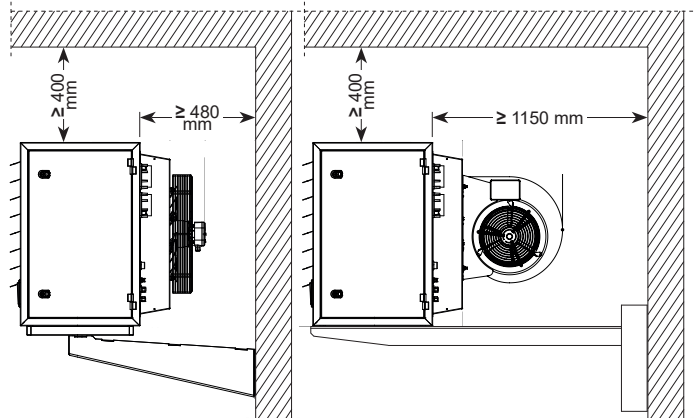
#### Fixed shelves

To install the fixed shelves to the walls:

- fix it to the wall and level the bracket with a spirit level;
- use the paper template supplied with the heater to correctly position the brackets on the wall;

**NOTE: Make sure that the size of the screws and the type of plug are correct for the type of wall and suitable to withstand the weight of the heater.**

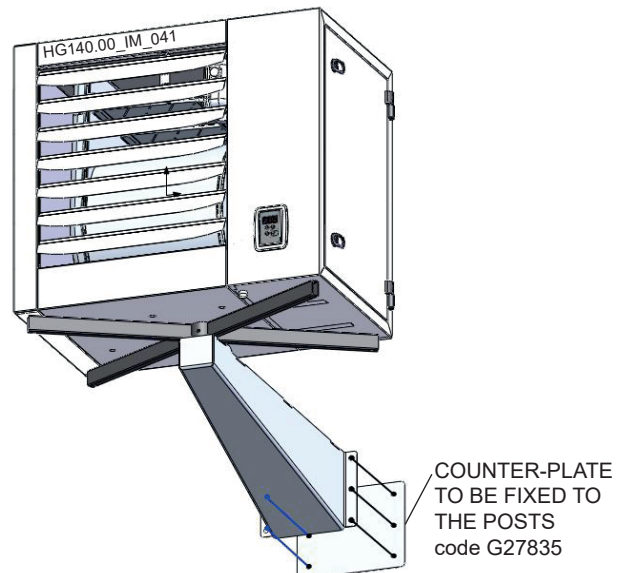
- place the suspended heater by centring it on the brackets in order to match the holes on the heater with the holes on the brackets, taking into account that, for all models, the tips of the brackets are flush with the edge of the suspended heater;
- fix the heater in position with the M8 screws supplied, and insert spring washers between screw and bracket.



#### Rotating shelves

The instructions on how to fit the rotating shelf and a paper template to position the shelf onto the wall can be found inside the shelf packaging.

- Using rotating shelves is recommended in the following cases:
- when fitting the heater onto a corner;
  - when fitting the shelf onto a pole;
  - when fitting the heater at a right angle with the wall it is fixed to.



## Suspended heater

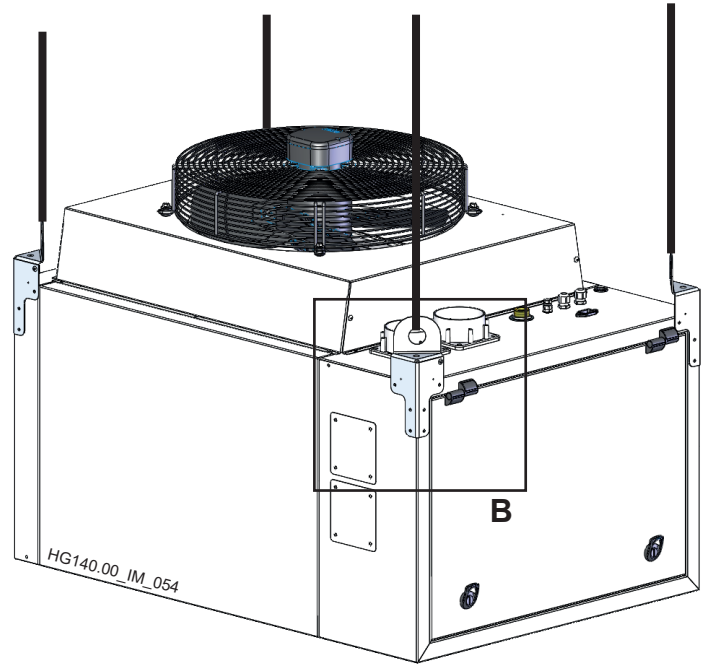
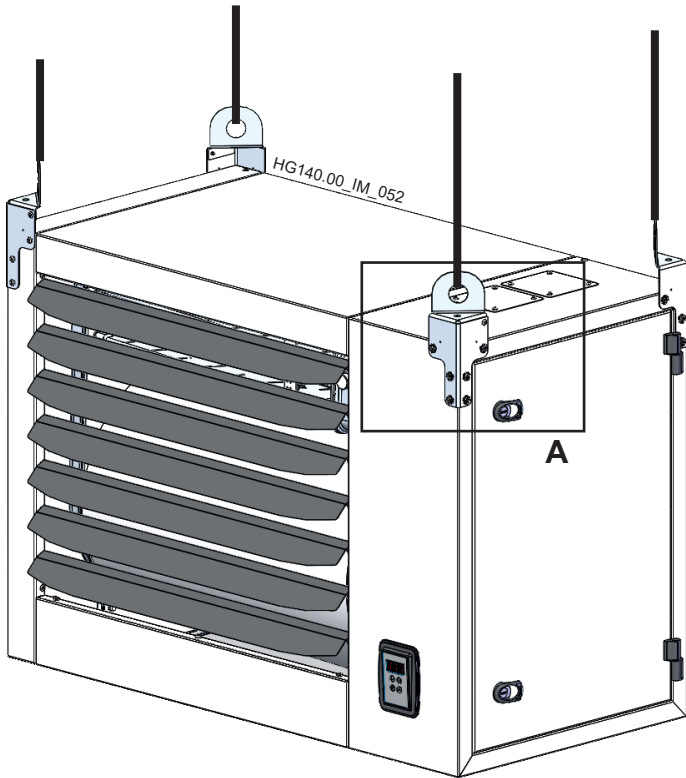
### FOR ALL LRP and LK HEATERS

To install a suspended heater by using chains or threaded bars, a kit containing supporting pins is available as an accessory; its code is: G27940. This kit is suitable for all LRP and LK models.

## Vertical heater

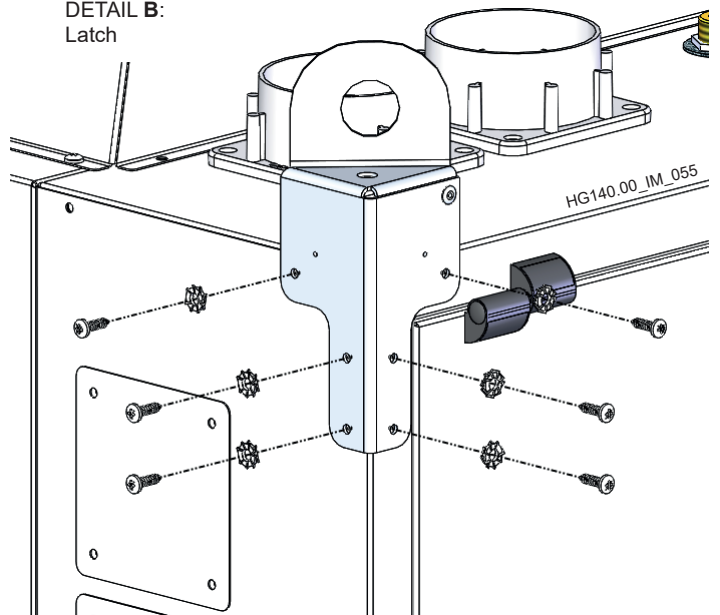
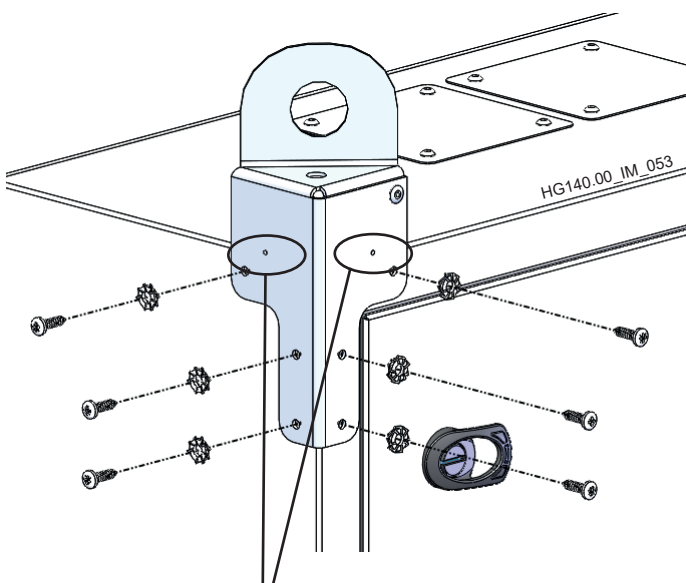
The heater can be installed with air intake from top to bottom by requesting the kit code G27940 (installation with chains). The kit includes the supporting rings and fixing screws.

**IT is important to indicate the vertical configuration (-0XV0) of the suspended unit in the order, which includes the thermostat protecting against the overheating of the fan and an additional trap.**



**DETAIL A:**  
24 screws and 24 toothed washers included in the kit

**DETAIL B:**  
Latch



24 screws and 24 toothed washers included in the kit

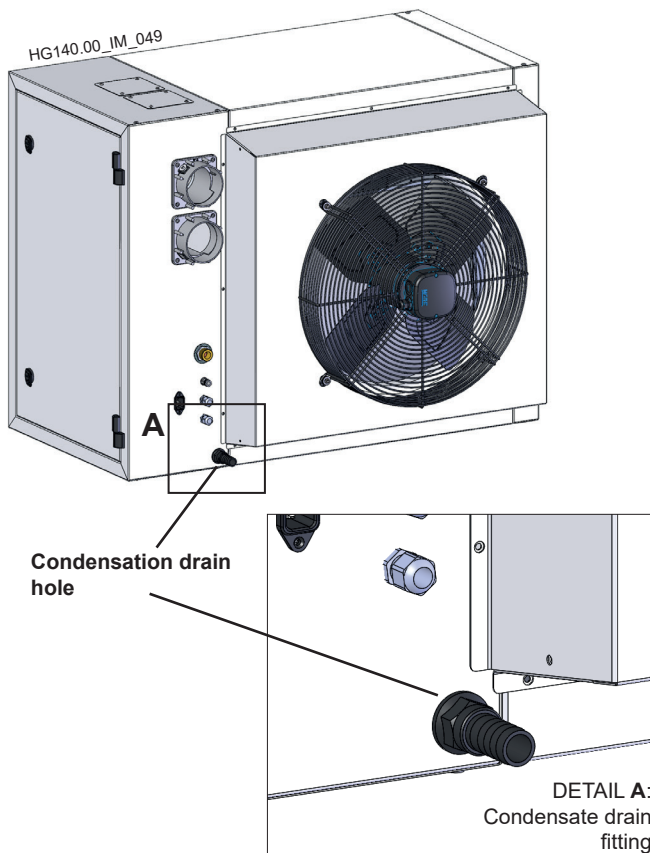
**Note:** To position the suspension hooks correctly, make sure that the two guide holes on each hook are on the external edge of the upper panel (or rear panel in case of vertical installation) as shown in the figures.

## 5.3. Condensate drain

The LK series heaters are flue gas condensing appliances. The lowering of the flue gas temperature in the tube bundle of the heat exchanger causes the formation of condensate that must be duly drained outside the heat exchanger.

To this end, the appliances are already fitted as standard with a condensate drain kit made up of:

- trap equipped with a detection electrode;
- condensate drain fitting (condensate drain hole placed at the back of the appliance).



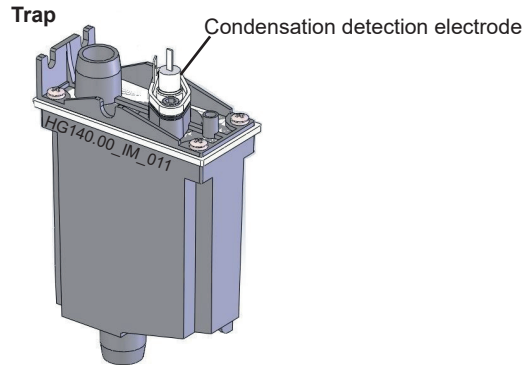
**NOTE:** during the first installation, remember to remove the condensate drain protection cap, to allow its regular operation.

### Connection of the condensate drain fitting

THE condensate drain fitting must be connected with a drain pipe. The condensate drain fitting consists of a straight hose barb quick connector with an external diameter of Ø 19mm. The pipe must be sized according to the maximum amount of condensate produced by the appliance (see Par. "Technical data"), and made of a material suitable for the passage of condensate with an acidity degree between PH 2.8-3.9 (for example: aluminium, stainless steel, silicone, Viton, EPDM, PVC or other suitable plastic material).

**ATTENTION:** Do NOT use copper, galvanized iron or other material NOT suitable for condensate passage when connecting the condensate drain fitting.

The trap, installed inside the heater, has a condensate detection electrode that shuts down the generator in case the condensate does not flow out correctly from the drain, in order to prevent condensate from remaining inside the heat exchanger. A possible cause of condensate drain failure is the freezing of the condensate within a section of the draining circuit. To prevent the risk of freezing, it is advisable to install the condensate drain pipe as long as possible inside the rooms to be heated.



### Neutralising the condensation

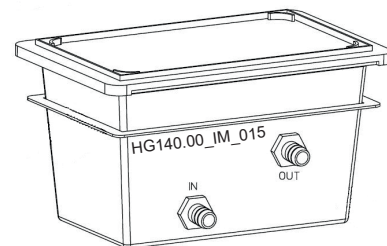
The condensate produced by the appliance has an acidity degree between PH 2.8-3.9. If required by current regulation, install an acidity neutraliser.

Apen Group can supply different optional kits to neutralise the condensate.

The kits differ according to their capacity, as shown below, and are made up of:

- plastic tray for the collection of condensate (measuring BxHxL 30x18x20cm);
- calcium carbonate bag.

### Condensate neutralisation vessel



IT IS possible to convey the condensate deriving from several heaters into a single neutralisation kit, adding the power values together, according to the maximum limit of the kit itself, as follows:

- G14303 120 kW max
- G05750 1500 kW max

## CAUTIONS

Special attention must be paid to the condensate drain; an incorrectly installed draining system, in fact, could jeopardize the correct operation of the appliance.

The main factors to be taken into account are:

- risk of condensate build-up inside the heat exchanger;
- risk of condensate water freezing in the pipes.

During normal heater operation, condensate water must not be allowed to accumulate within the heat exchanger. When installing the heater, special attention must be paid to make sure it is perfectly level in order to maintain the typical inclination of the tube bundle.

## Additional WARNINGS

- For the condensate drain pipe linear sections, provide for a slope of min. 1%, i.e. 1 cm for each metre (otherwise provide for a booster pump);
- if necessary, install the condensate neutralisation kit in the heated rooms, near the condensate drain fitting of the heater, to prevent condensate water from freezing inside the tray;
- do not drain the condensate in pipes made with materials incompatible with the condensate acidity: risk of corrosion;
- draining condensate into the ground, in a neutralising sump, is generally prohibited, but permitted in the case of isolated settlements, installations or buildings, provided that it complies with regional regulations.

---

**ATTENTION: Heater condensate drain and disposal must be carried out in compliance with current technical standards and regulations in force in the installation country.**

---

## 5.4. Connections to the Flue

The LRP and LK heaters are fitted with a watertight combustion circuit and with a fan located upstream of the heat exchanger. Connection to the flue, according to where the heater is installed, can be made as "C" type, with combustion air being drawn from outside, or as "B" type with combustion air being drawn from the heater installation site.

More specifically, the heater is certified for the following exhausts: C13-C33-C43-C53-C63-B23-B23P.

EC-CERTIFIED pipes and terminals must be used.

The air intake and fume exhaust terminals must prevent access to a sphere with a diameter higher than or equal to 12mm.

**APEN GROUP can supply certified exhaust and intake terminals, which can be purchased separately.**

LRP and LK heaters are fitted as standards with horizontal fittings, chimney and air intake, placed at the back of the heater. DURING the installation, the fume exhaust and air intake fittings can be moved to the top section; this is useful when fumes must be exhausted through the roof.

On request, and according to the quantity, the heater can be provided with fittings in the top section to fit a vertical exhaust. To make the flue outlet section for condensing LK heaters, the following material must be used:

- Aluminium with a thickness higher than or equal to 1.5 mm;
- Stainless steel with a thickness of at least 0.6 mm; steel must have a carbon content of maximum 0.2%.

Pipes fitted with a seal must be used in order to prevent that the fumes exit the pipes; the seal must be suitable to withstand fume temperatures ranging between 70°C and 210°C for LRP heaters and 25°C and 130°C for LK heaters.

---

**ATTENTION: IT IS STRICTLY PROHIBITED TO USE PLASTIC MATERIALS ON THE FUME EXHAUST DUCT.**

---

For LRP models, in case of installation of flue outlet longer than 3m, it is necessary to drain the condensate generated inside the chimney before it enters the heater.

---

**IMPORTANT: For LK models, if there is no chimney condensate drain, install the horizontal sections of piping that make up the flue outlet, with a slight inclination (1°-3°) towards the heater, so as not to create accumulations of condensate inside the exhaust itself.**

---

Insulate the pipe if required to protect the flue from accidental contact.

For the air intake, use:

- Aluminium with a thickness higher than or equal to 1.0 mm;
- Stainless steel with a thickness higher than or equal to 0.4 mm.



All components are certified in compliance with EN 1856-1 and EN1856-2 standards. They are identified by an ID plate showing their features. Below is an *example*:

0694-CPR-52977	1856-1	T200	P1	W	V2	L50050	O70
<b>Certificate no.</b>							
<b>Number of the Standard</b>							
<b>Temperature class</b>							
<b>Pressure level</b> (N=negative, P=positive, H=high pressure, 1 and 2 = permissible loss, value 1 more restrictive)							
<b>Condensation resistance class</b> (D = dry use, W = wet use)							
<b>Corrosion resistance class</b>							
<b>Material and thickness</b>							
<b>Inner resistance to fire</b> (G=Yes, O=No) and distance (in mm) from combustible materials							

In case of installation of ducts different from those supplied by the manufacturer, always make sure that they are suitable for the type of application and the type of equipment on which they are installed. Above all, always check that the temperature class and corrosion resistance class (EN1443) are suitable for the type of system and the operating characteristics of the equipment itself.

However, the following minimum resistance classes are recommended:

	LRP	LK
Temperature class:	T200	T120
Pressure level:	P1	P1
Condensate Resistance Class:	D	W
Corrosion resistance class:	V1	V1

### Selection Guide

The table showing the fume exhaust system calculation data can be found in Paragraph 7.2 "Gas settings data table".

**The maximum permitted recirculation percentage is 11%.**

The tables below show the pressure drop for the most used terminals and exhaust ducting.

If the terminal is not directly connected to the heater and, therefore, extra routing is required, according to the length of the ducting, the diameter of the selected terminals, extensions and bends must be checked.

After establishing the routing, the pressure drop must be calculated for each component by referring to the tables below according to the LRP or LK heater used; each component has a different pressure drop value as the glue gases flow rate is different.

Add together the pressure drops of the single components, checking that the result is not higher than the available value for the heater to be used. If a combustion air supply pipe is fitted, the pressure drops must be added to the fume exhaust pressure drops.

If the sum of the pressure drops is higher than the available pressure, ducting with higher diameter must be used, rechecking the calculation; a pressure drop higher than the pressure available at the fume exhaust reduces the heater heat output.

**NOTE: If the module is installed indoor:**

- using coaxial connections is allowed for heaters with a maximum length of 3 metres; -the flue outlet terminal must be installed in compliance with the reference national regulation requirements.

**NOTE: The following pictures show examples of fume exhausts and air intakes that can be made by using the kits available from our catalogue; the table shows the maximum length of the section between the heater and the terminal.**

If the duct routing requires the use of bends, their length must be subtracted from the available length:

Bend Ø 80	90°	EqL 1.65 m
Bend Ø 80	45°	EqL 0.80 m
Bend Ø 100	90°	EqL 2.30 m
Bend Ø 100	45°	EqL 1.03 m
Bend Ø 130	90°	EqL 2.20 m
Bend Ø 130	45°	EqL 1.00 m

\* Equivalent lengths valid for wide radius bends.

LRP models	018	028	035	045	055	075	102	
Pressure available at the exhaust	80	100	120	120	130	140	140	[Pa]
<i>Component</i>	<i>Pressure drop [Pa]</i>							<i>Code</i>
Ø80 SMOOTH PIPE [l=1m]	0.8	1.9	3.0	4.6	5.9	10.7	18.2	G15820-08-XXX
BEND Ø80 WIDE RADIUS 90°	1.3	3.3	5.1	7.7	10.0	18.1	31.0	G15810-08-90
BEND Ø80 WIDE RADIUS 45°	0.6	1.5	2.4	3.6	4.7	8.5	14.6	G15810-08-45
Ø80 WALL-MOUNTED TERMINAL FROM SEPARATE TO COAX	7.1	17.1	26.1	38.2	50.5	88.9	149.8	TC13-08-HC1
Ø80 ROOF-MOUNTED TERMINAL FROM SEPARATE TO COAX	7.2	18.9	30.6	47.5	65.6	125.6	226.4	TC33-08-VC1
Ø80 ROOF-MOUNTED TERMINAL, WINDPROOF EXHAUST ONLY	0.0	0.0	0.2	0.4	0.8	2.1	-	TB23-08-VSW
Ø100 SMOOTH PIPE [l=1m]	0.0	0.7	1.0	1.6	2.1	3.6	6.5	G15820-10-XXX
BEND Ø100 WIDE RADIUS 90°	0.0	1.3	2.0	3.2	4.1	7.3	13.1	G15810-10-90
BEND Ø100 WIDE RADIUS 45°	0.0	0.6	0.9	1.5	1.9	3.3	5.9	G15810-10-45
Ø100 WALL-MOUNTED TERMINAL FROM SEPARATE TO COAX	3.8	9.1	14.6	22.7	31.5	61.3	112.0	TC13-10-HC2
Ø100 ROOF-MOUNTED TERMINAL FROM SEPARATE TO COAX	3.0	7.7	12.6	20.2	28.4	56.5	105.0	TC33-10-VC2
Ø100 ROOF-MOUNTED TERMINAL, WINDPROOF EXHAUST ONLY	-	0.1	0.3	0.7	1.2	2.9	6.2	TB23-10-VSW
Ø130 SMOOTH PIPE [l=1m]	0.0	0.2	0.3	0.5	0.6	1.1	1.8	G15820-13-XXX
Ø130 WALL-MOUNTED TERMINAL FROM SEPARATE TO COAX	3.1	3.7	4.7	6.5	8.7	17.0	32.4	TC13-13-HC5
Ø130 ROOF-MOUNTED TERMINAL FROM SEPARATE TO COAX	1.1	2.8	4.6	7.2	10.0	19.3	35.3	TC33-13-VC5
Ø130 ROOF-MOUNTED TERMINAL, WINDPROOF EXHAUST ONLY	-	0.1	0.3	0.7	1.2	2.9	6.2	TB23-13-VSW
ADAPTOR Ø80/100	0.2	0.5	0.8	1.2	1.7	3.4	-	G15815-08-10
ADAPTOR Ø100/80	0.2	0.5	0.8	1.2	1.7	3.4	6.4	G15815-10-08
ADAPTOR Ø100/130	0.1	0.3	0.6	0.9	1.3	2.7	5.0	G15815-10-13
ADAPTOR Ø130/100	0.1	0.2	0.4	0.6	0.8	1.7	3.1	G15815-13-10
<b>COMBUSTION AIR UPTAKE ONLY</b>								
Ø80 HORIZONTAL AIR UPTAKE ONLY	0.5	1.5	2.6	4.3	6.1	12.3	-	TB23-08-HS0
Ø100 HORIZONTAL AIR UPTAKE ONLY	0.3	0.8	1.3	2.1	2.9	5.7	10.4	TB23-10-HS0

LK models	020	034	045	065	080	105	
Pressure available at the exhaust	80	90	100	120	120	120	[Pa]
<i>Component</i>	<i>Pressure drop [Pa]</i>						<i>Code</i>
Ø80 SMOOTH PIPE [l=1m]	0.8	2.0	2.8	5.8	8.8	12.4	G15820-08-XXX
BEND Ø80 WIDE RADIUS 90°	1.3	3.4	4.8	9.8	14.9	21.1	G15810-08-90
BEND Ø80 WIDE RADIUS 45°	0.6	1.6	2.2	4.6	7.0	9.9	G15810-08-45
Ø80 WALL-MOUNTED TERMINAL FROM SEPARATE TO COAX	9.0	25.3	34.3	70.2	103.4	144.9	TC13-08-HC1
Ø80 ROOF-MOUNTED TERMINAL FROM SEPARATE TO COAX	9.2	29.6	42.0	95.9	149.2	218.2	TC33-08-VC1K
Ø80 ROOF-MOUNTED TERMINAL, WINDPROOF EXHAUST ONLY	-	0.1	0.4	1.4	2.7	4.4	TB23-08-VSW
Ø100 SMOOTH PIPE [l=1m]	0.3	0.7	1.0	2.1	2.9	4.4	G15820-10-XXX
BEND Ø100 WIDE RADIUS 90°	0.5	1.4	1.9	4.1	5.8	8.8	G15810-10-90
BEND Ø100 WIDE RADIUS 45°	0.2	0.6	0.9	1.9	2.6	4.0	G15810-10-45
Ø100 WALL-MOUNTED TERMINAL FROM SEPARATE TO COAX	4.7	14.1	20.0	46.5	73.1	107.9	TC13-10-HC2
Ø100 ROOF-MOUNTED TERMINAL FROM SEPARATE TO COAX	3.8	12.2	17.7	42.5	67.8	101.0	TC33-10-VC2K
Ø100 ROOF-MOUNTED TERMINAL, WINDPROOF EXHAUST ONLY	-	0.3	0.6	2.0	3.7	5.9	TB23-10-VSW
Ø130 SMOOTH PIPE [l=1m]	0.1	0.2	0.3	0.6	0.8	1.2	G15820-13-XXX
Ø130 WALL-MOUNTED TERMINAL FROM SEPARATE TO COAX	3.1	4.6	5.9	12.7	20.5	31.1	TC13-13-HC5
Ø130 ROOF-MOUNTED TERMINAL FROM SEPARATE TO COAX	1.4	4.4	6.3	14.7	23.0	34.0	TC33-13-VC5K
Ø130 ROOF-MOUNTED TERMINAL, WINDPROOF EXHAUST ONLY	-	0.3	0.6	2.0	3.7	5.9	TB23-13-VSW
ADAPTOR Ø80/100	0.2	0.7	1.2	2.6	4.1	6.2	G15815-08-10
ADAPTOR Ø100/80	0.2	0.7	1.2	2.6	4.1	6.2	G15815-10-08
ADAPTOR Ø100/130	0.2	0.6	0.9	2.0	3.2	4.8	G15815-10-13
ADAPTOR Ø130/100	0.1	0.4	0.6	1.2	2.0	3.0	G15815-13-10
<b>COMBUSTION AIR UPTAKE ONLY</b>							
Ø80 HORIZONTAL AIR UPTAKE ONLY	0.6	2.5	4.1	9.2	14.8	22.2	TB23-08-HS0
Ø100 HORIZONTAL AIR UPTAKE ONLY	0.4	1.3	2.0	4.3	6.8	10.0	TB23-10-HS0

NOTE: Values calculated on the flue gas mass flow rate achieved with natural gas G20.



## Installing the terminals

The LRP and LK heaters are fitted with a top and bottom provision for air inlet and fume exhaust.

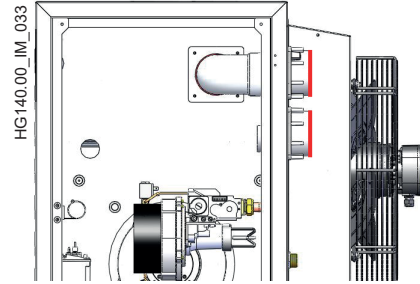
According to installation requirements, the terminals can be fitted at the back or at the top.

The exhaust and drainage castings are normally installed on the back of the machine; should it be necessary to use the top outlets, remove the castings from the rear section and the covers (with their seals) from the top holes, fit the castings again in their seats on the upper side and the covers (with seals) on the unused rear holes, in order to ensure their tightness.

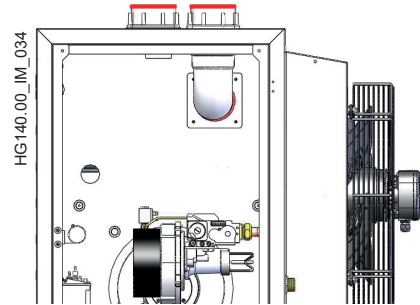
**ATTENTION:** When changing the intake/exhaust side, pay attention to the mounting direction of the terminals. (UP arrow) **DO NOT INVERT** the flue outlet terminal with the air intake terminal.

**NOTE:** The terminals are supplied with silicone seals; on request, only for LK models, a kit with EPDM seals can be requested.

Fume exhaust and rear air intake



Fume exhaust and upper air intake



## Vertical B23 terminal

Open combustion circuit, combustion air intake from the room and exhaust to the outdoor. Standards UNI-CIG 7129 and 7131 require the provision of suitable vents on the walls.

**NOTE:** In this configuration, combustion air intake requires an IP20 safety meshing to be fitted, which must prevent a solid object with a diameter higher than 12mm from going through; at the same time, the meshing must have holes larger than 8mm.

$L_{max}$  of the pipe routing made with the  $\emptyset$  shown, excluding the terminal.

The terminal consists of:

- Adaptor from LRP or LK outlet to exhaust  $\emptyset$  (where necessary);
- Roof-mounted terminal, only windproof exhaust.

$\emptyset$ 80 pipes and bends: TB23-08-VSW

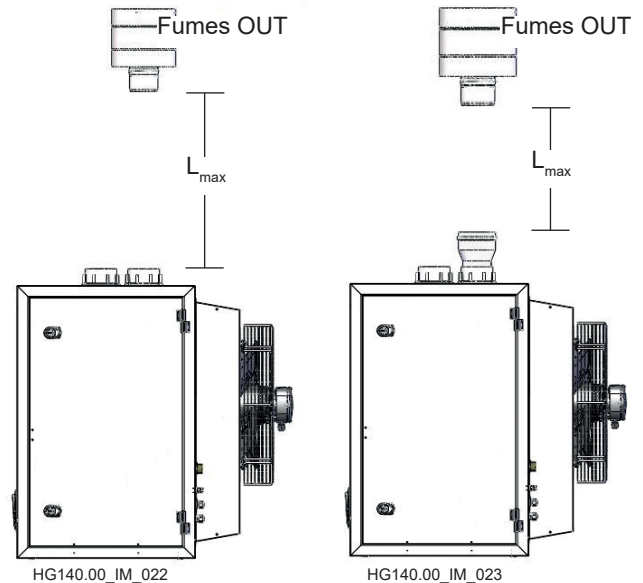
Mod. LK	020	034	045	065	080	105
$L_{max}$ [m]	30	30	30	15	-	-

Mod. LRP	018	028	035	045	055	075	102
$L_{max}$ [m]	30	30	30	30	25	10	-

$\emptyset$ 100 pipes and bends: TB23-10-VSW + G15815-08-10 (eccentric adaptor only for mod. LK020-065 and LRP018-075)

Mod. LK	020	034	045	065	080	105
$L_{max}$ [m]	-	-	-	30	30	20

Mod. LRP	018	028	035	045	055	075	102
$L_{max}$ [m]	-	-	-	-	30	30	25



## Type C53 terminal

Combustion circuit watertight to the environment. One of the ducts is connected to the roof, the other to the wall.

$L_{max}$  of the pipe routing made with the  $\emptyset$  shown, excluding the terminal.

The terminal consists of:

- Adaptor from LRP or LK outlet to exhaust  $\emptyset$  (where necessary);
- An adaptor from LRP or LK outlet to intake  $\emptyset$  (where necessary);
- Roof-mounted terminal, only windproof exhaust.

**NOTE: The maximum length available has been split in equal parts between the exhaust ( $L_{1max}$ ) and the intake ( $L_{2max}$ ); the lengths between intake and exhaust can also be split differently without exceeding the sum shown.**

$\emptyset 80$  pipes and bends: TB23-08-VSW + TB23-08-HS0

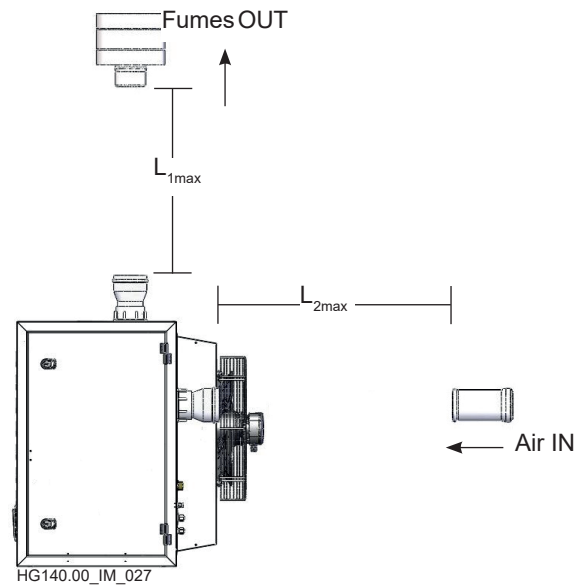
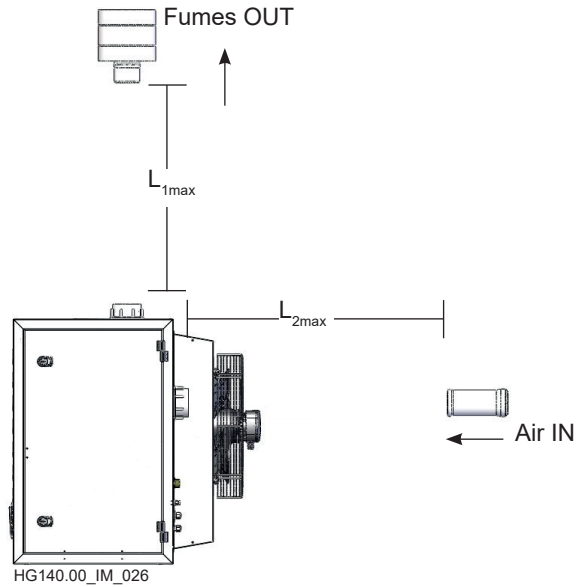
Mod. LK	020	034	045	065	080	105
$L_{max}$ [m]	30+30	20+20	15+15	8+8	-	-

Mod. LRP	018	028	035	045	055	075	102
$L_{max}$ [m]	30+30	30+30	25+25	15+15	10+10	7+7	-

$\emptyset 100$  pipes and bends: TB23-10-VSW + 2xG15815-08-10 + TB23-10-HS0 (adaptors only for model LK020-065 and LRP018-075)

Mod. LK	020	034	045	065	080	105
$L_{max}$ [m]	-	-	30+30	25+25	15+15	10+10

Mod. LRP	018	028	035	045	055	075	102
$L_{max}$ [m]	-	-	30+30	30+30	30+30	25+25	10+10



## Horizontal coaxial C13 terminal

Combustion circuit watertight to the environment. The ducts go directly through the wall.

$L_{max}$  of the pipe routing made with the  $\emptyset$  shown, excluding the terminal.

The terminal consists of:

- Adaptor from LRP or LK outlet to exhaust  $\emptyset$  (where necessary);
- An adaptor from LRP or LK outlet to intake  $\emptyset$  (where necessary);
- A horizontal coaxial terminal.

**NOTE: The maximum length available has been split in equal parts between the exhaust ( $L_{1max}$ ) and the intake ( $L_{2max}$ ); the lengths between intake and exhaust can also be split differently without exceeding the sum shown.**

$\emptyset 80$  pipes and bends: TC13-08-HC1

Mod. LK	020	034	045	065	080	105
$L_{max}$ [m]	30+30	30+30	15+15	5+5	-	-

Mod. LRP	018	028	035	045	055	075	102
$L_{max}$ [m]	30+30	30+30	20+20	10+10	8+8	2+2	-

$\emptyset 100$  pipes and bends: TC13-10-HC2 + 2xG15835-08-10 (eccentric adaptors only for mod. LK020-065 and LRP018-075)

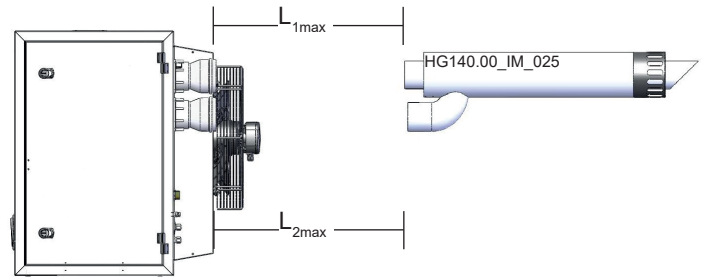
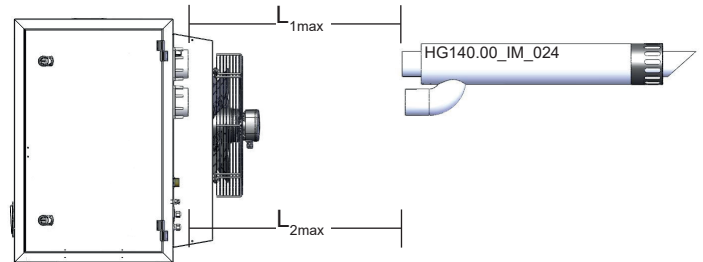
Mod. LK	020	034	045	065	080	105
$L_{max}$ [m]	-	-	30+30	15+15	5+5	1+1

Mod. LRP	018	028	035	045	055	075	102
$L_{max}$ [m]	-	-	30+30	30+30	30+30	10+10	2+2

$\emptyset 130$  pipes and bends: TC13-13-HC5 + 2xG15815-10-13 + 2xG15810-13-45 (adaptors and bends only suitable to model LK080-105 and LRP102)

Mod. LK	020	034	045	065	080	105
$L_{max}$ [m]	-	-	-	-	30+30	30+30

Mod. LRP	018	028	035	045	055	075	102
$L_{max}$ [m]	-	-	-	-	-	-	30+30



## C33 type coaxial roof-mounted terminal

Combustion circuit watertight to the environment. The ducts are connected to the outside with a coaxial terminal.

$L_{max}$  of the pipe routing made with the  $\varnothing$  shown, excluding the terminal.

The terminal consists of:

- Adaptor from LRP or LK outlet to exhaust  $\varnothing$  (where necessary);
- An adaptor from LRP or LK outlet to intake  $\varnothing$  (where necessary);
- Roof-mounted terminal from separate to coaxial.

**NOTE: The maximum length available has been split in equal parts between the exhaust ( $L_{1max}$ ) and the intake ( $L_{2max}$ ); the lengths between intake and exhaust can also be split differently without exceeding the sum shown.**

$\varnothing 80$  pipes and bends:

TC33-08-VC1K

Mod. LK	020	034	045	065	080	105
$L_{max}$ [m]	30+30	10+10	8+8	1+1	-	-

TC33-08-VC1

Mod. LRP	018	028	035	045	055	075	102
$L_{max}$ [m]	30+30	30+30	20+20	10+10	5+5	1+1	-

$\varnothing 100$  pipes and bends:

TC33-10-VC2K + 2xG15835-08-10 (eccentric adaptors only for mod. LK020-065 and LRP018-075)

Mod. LK	020	034	045	065	080	105
$L_{max}$ [m]	-	30+30	30+30	15+15	8+8	2+2

TC33-10-VC2 + 2xG15835-08-10 (eccentric adaptors only for mod. LK020-065 and LRP018-075)

Mod. LRP	018	028	035	045	055	075	102
$L_{max}$ [m]	-	-	30+30	30+30	30+30	10+10	2+2

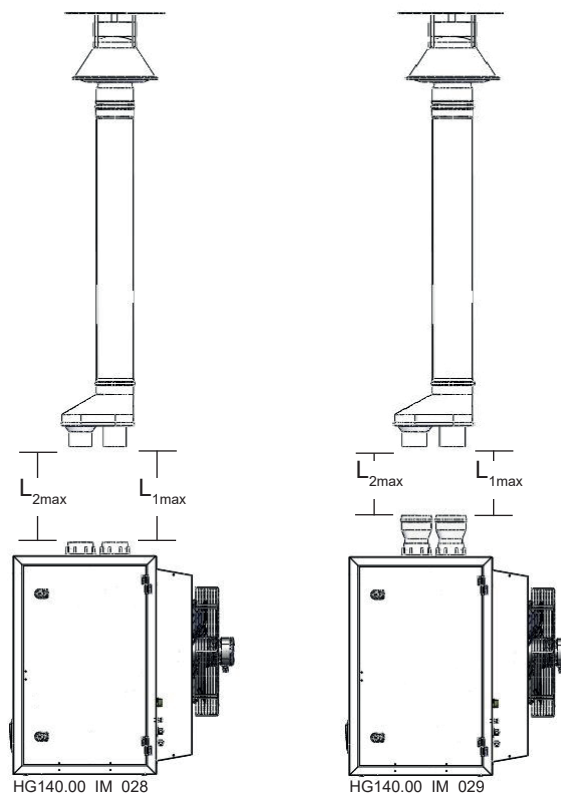
$\varnothing 130$  pipes and bends:

TC33-13-VC5K + 2xG15815-10-13 + 2xG15810-13-45 (adaptors and bends only suitable only for mod. LK080-105)

Mod. LK	020	034	045	065	080	105
$L_{max}$ [m]	-	-	-	-	30+30	25+25

TC33-13-VC5 + 2xG15815-10-13 + 2xG15810-13-45 (adaptors and bends only suitable only for mod. LRP102)

Mod. LRP	018	028	035	045	055	075	102
$L_{max}$ [m]	-	-	-	-	-	-	30+30



## 5.5. Electrical Connections

### Power supply

The heater must be correctly connected to an effective earthing system, fitted in compliance with current legislation.

Single phase 230VAC power supply with neutral; do not swap the neutral with the live wire.

For safety reasons, the flame monitoring device prevents operation if phase and neutral are swapped, fault E10.

The heater can be connected to the mains power supply with a plug-socket only if the latter does not allow live and neutral to be swapped.

**The electrical system and, more specifically, the cable section, must be suitable for the heater maximum power input, see Paragraph 3.1 "Technical Data" - Table, and in any case not lower than 1.5mm<sup>2</sup>.**

**Keep power cables away from heat sources.**

**NOTE: IT IS compulsory to fit, upstream of the heater, a multipole isolator fitted with a suitable electric protection element. The phase, earth and neutral cable section must be at least 1.5mm<sup>2</sup>.**

### Connecting the room thermostat and the ON/OFF control

It is recommended to connect a room temperature control, to the ID0/GND terminals of the heater PCB, to ensure greater energy savings and a high degree of comfort.

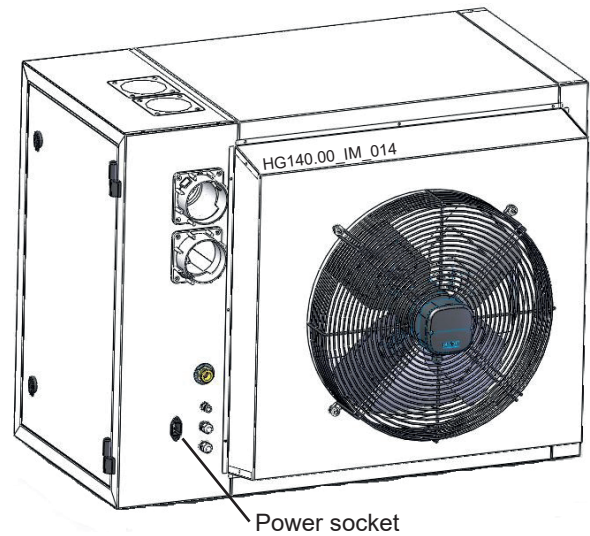
If it is not possible to install a room temperature control, connect an ON/OFF switch to allow the management of the on/off phases of the heater, and avoid disconnecting voltage.

**IMPORTANT: Powering off the machine before completing the cooling cycle and/or with machine set to ON is strictly prohibited. Failure to follow these instructions shall invalidate the warranty and cause early deterioration of the heat exchanger.**

It is however at the user's and/or installer's discretion to remotely control the heater from the room.

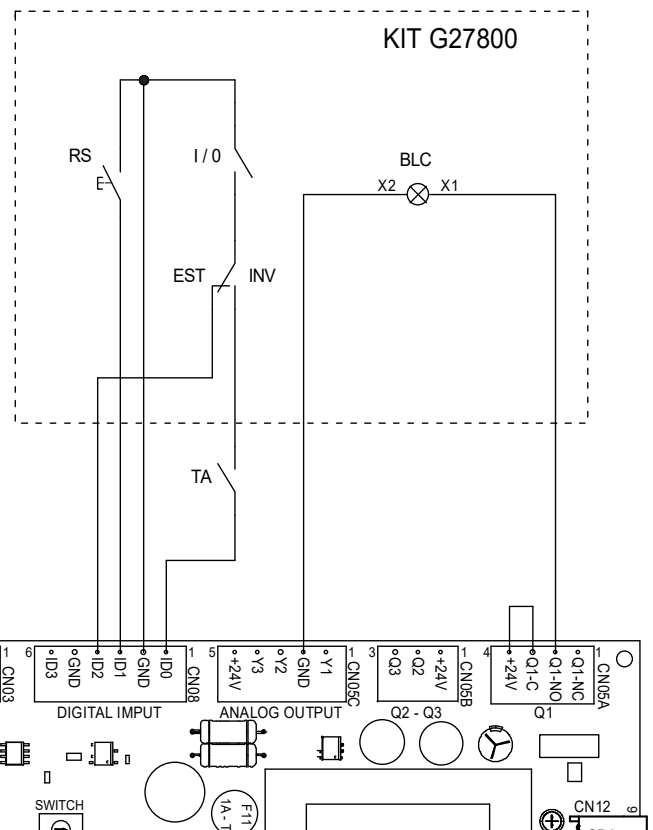
We recommend that at least the G27800 remote control is connected to allow the user to remotely reset the unit, as shown in the diagram on the side.

**ATTENTION: For safety reasons, the use of multi-pole cables for the simultaneous transport of loads at different voltages (power supply and control signals) is prohibited. Moreover, keep the cables separate to avoid possible electromagnetic disturbances on the heater PCB.**



### Key

RS	Reset button
I/O	ON-OFF switch
SUM/WIN	Summer/winter switch
BLC	Lockout indicator light; 24 Vdc
TA	Room thermostat [to be fitted by the installer]



## Smart X Web/Easy connection

Use the connector provided to connect the Smart X Web/Easy. Connect the power supply, making sure polarity is correct.

Connect the RS485 network to its terminals, making sure polarity is correct.

For multiple heaters, connect terminals D+ and D-, making sure polarity is correct; the network can be made both as a serial and star network.

**NOTE: THE correct address for each PCB must then be set up. Addresses must start from 1 to N without interruptions in the numbering sequence. The address of each PCB, if different from zero, is displayed on the LCD as "Axx", where xx is the address. To program the Smart X Web/Easy, please read the operating manual supplied with the accessory.**

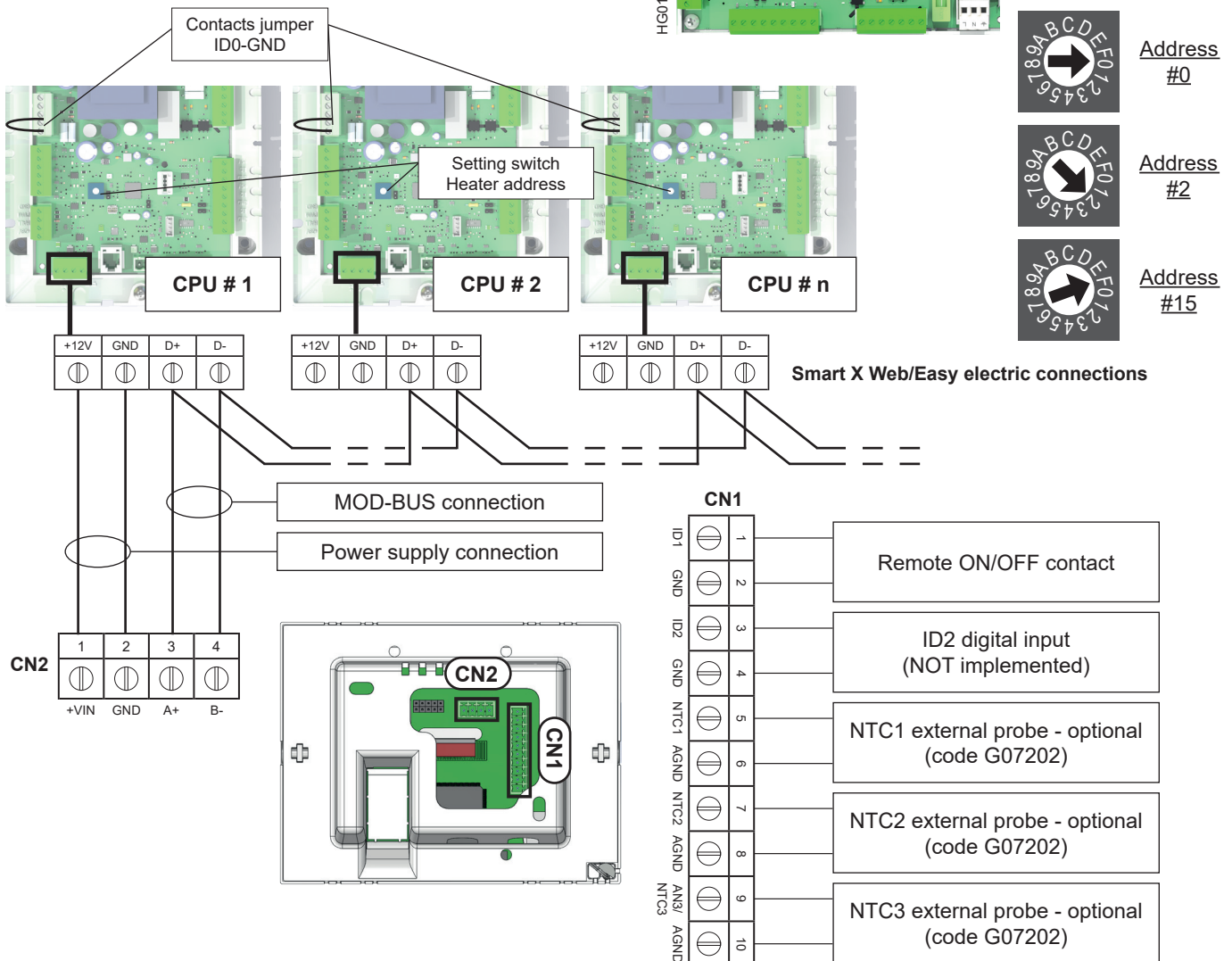
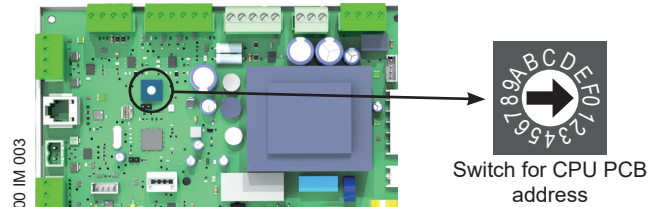
## Summer ventilation

To enable the fans only (summer ventilation with burner off), three types of controls are available:

- the ID2-GND contact;
- with Smart X Web/Easy;
- manual control with the LDC control on board of the machine.

**NOTE: Before switching off the blowers, the heater carries out the post-ventilation cycle.**

By using the selector, a unique address can be assigned to each PCH heater module, as follows.





## 5.6. Modulation PCB Parameters

All values of the parameters of the CPU PCB are shown for all LRP and LK heater models.

The "LCD" column shows the parameters that can be edited with "007" Password via remote LCD control (even with modbus address ≠ 0).

The "Smart" column shows the parameters that can only be modified with Smart X or via modbus with a second level Password, which can be requested to the manufacturer's Customer Service.

Parameters of G26800 CPU PCB version 8.01.xx								
Parameter Name		LRP018	LRP035	LRP055	LRP075	LRP102	LK	DESCRIPTION
Smart	LCD	U.M.	LRP028	LRP045	LK045	LK065	LK080	
<b>FUNC 00</b>	<b>Fnu P00</b>							<b>Equipment operation</b>
TER				1				TER presence
PDC				0				PDC presence
SMART				0				SMART presence 0 = Smart not present 1 = uses PID and ON/OFF of the SMART 2 = uses only ON/OFF command of the Smart
PTH	P06			100				Maximum limit of PT%_OUT_BURNER OUTPUT
PTL	P07			0				Minimum limit of PT%_OUT_BURNER OUTPUT
<b>FUNC 01</b>	<b>Fnu P10</b>							<b>Burner operation</b>
b1	P11	rpm	see "burner parameters - motor rpm" table below					Motor RPM MINIMUM value (Y0): 90÷999 (1=10 RPM)
b2	P12	rpm	see "burner parameters - motor rpm" table below					Motor RPM MAXIMUM value (Y0): 90÷999 (1=10RPM)
b3	P13	rpm	see "burner parameters - motor rpm" table below					Motor RPM START-UP value (Y0): 90÷999 (1=10RPM)
b4	P14			2				TACH signal divider
b5	P15	rpm		50				Error E3x; no. of revolutions x10 (50=500rpm): 0÷999
b6	P16	sec		20				Error E3x; error dwell time before fault F3x: 0÷999
b7	P17	sec		15				Pre-cleaning time with maximum output
b8	P18	sec		10				Flame stabilisation time (ignition)
b9	P19	%		45				Proportional factor value (kp_pwm) for PWM1 calculation
b10	P1A	%		20				Integral factor value (ki_pwm) for PWM1 calculation
b11	P1B	sec		90				Combustion chamber post-washing time
b12		sec		0				Flame monitoring equipment ON delay time (TER)
b13		kW	see table in Par. 3.1 "Technical Data"					MIN. value Heat output
b14		kW	see table in Par. 3.1 "Technical Data"					MAX. value Heat output
<b>REG 01</b>	<b>rGL R10</b>							<b>Modulation Probe NTC Control</b>
REG_01				1				Adjustment enabling (0=disabled; 1=enabled)
ST1	R12	°C	48 (LRP models) - 36 (LK models)					ST1 function setpoint
Xd1	R13	°C		5				ST1 hysteresis
Kp1		%		10				Proportional coefficient
Ki1		%		5				Integral coefficient
TH1	R16	°C	70 (LRP mod.) / 60 (LK mod.)					Alarm temperature for ST1 for fault E51; Autoresolve with NTC1<ST1
AC1				1				Modulation and/or ON/OFF 0 = modulation only 1 = modulation and ON/OFF
MOD1				1				Modulation configuration 0 = Reverse and/or Direct (changes according to the phase sent via modbus, heating, ventilation or conditioning) 1 = Reverse only (for heating) 2 = Direct only (for ventilation or conditioning)
ING1A				1				Defines the analogue input to be used for calculation 1 = NTC1 2 = NTC2 3 = NTC3

Parameters of G26800 CPU PCB version 8.01.xx							
Parameter Name	LRP018	LRP035	LRP055	LRP075	LRP102	LK	
Smart	LCD	U.M.	LRP028	LRP045	LK045	LK065	
			LK020	LK034	LK080	105	DESCRIPTION
<b>REG 02</b>	<b>rGL R20</b>						<b>Control 02 - NOT USED ON LRP-LK</b>
REG_02			0				Adjustment enabling <i>0 = disabled</i>
<b>REG 03</b>	<b>rGL R30</b>						<b>Control 03 - NOT USED ON LRP-LK</b>
REG_03			0				Adjustment enabling <i>0 = disabled</i>
<b>REG 04</b>	<b>rGL R40</b>						<b>Modulation from 0/10 Vdc Control</b>
REG_04	R41		0				Adjustment enabling <i>0 = disabled</i> <i>1 = enabled as modulation only</i> <i>2 = enabled as modulation and burner ON/OFF</i>
V4_OFF	R42	V	1.0				Voltage value for burner OFF
V4_DIF	R43	V	0.5				Differential for burner ON
T4_ON	R44	sec	5				Signal dwell time for ON
T4_OFF	R45	sec	5				OFF signal dwell time
ING4A	R46		5 (B1)				Defines the analogue input to be used for calculation
<b>REG 05</b>	<b>rGL R50</b>						<b>Adjustment 05 - NOT USED ON LRP-LK</b>
REG_05			0				Adjustment enabling <i>0 = disabled</i>
<b>REG 06</b>	<b>rGL R60</b>						<b>Adjustment 06 - NOT USED ON LRP-LK</b>
REG_06			0				Adjustment enabling <i>0 = disabled</i>
<b>REG 07</b>	<b>rGL R70</b>						<b>Adjustment 07 - NOT USED ON LRP-LK</b>
REG_07			0				Adjustment enabling <i>0 = disabled</i>
<b>CTRL 01</b>	<b>CrL C10</b>						<b>Control 01 - NOT USED ON LRP-LK</b>
CTRL_01	C11		0				Control enabling <i>0 = disabled</i>
<b>CTRL 02</b>	<b>CrL C20</b>						<b>Control 02 - NOT USED ON LRP-LK</b>
CTRL_02	C21		0				Control enabling <i>0 = disabled</i>
<b>CTRL 03</b>	<b>CrL C30</b>						<b>Control 03 - NOT USED ON LRP-LK</b>
CTRL_03	C31		0				Control enabling <i>0 = disabled</i>
<b>CTRL 04</b>	<b>CrL C40</b>						<b>No Voltage Control</b>
CTRL_04	C41		1				Control enabling <i>0 = disabled</i> <i>1 = enabled</i>
T4_V	C42	sec	45				Time in seconds of post-ventilation
<b>CTRL 05</b>	<b>CrL C50</b>						<b>Remote Reset from Digital Input</b>
CTRL_05	C51		1				Control enabling <i>0 = disabled</i> <i>1 = enabled</i>
ING05	C52		9 (ID1)				Digital input enabled as RESET
<b>CTRL 06</b>	<b>CrL C60</b>						<b>Remote alarm or flame presence signal</b>
CTRL_06	C61		1				Control enabling <i>0 = disabled</i> <i>1 = enabled as lockout signal</i> <i>2 = enabled as flame signal</i>
OUT06	C62		5 (Q1)				Digital output enabled
<b>CTRL 07</b>	<b>CrL C70</b>						<b>Summer ventilation from digital input</b>
CTRL_07	C71		1				Control enabling <i>0 = disabled</i> <i>1 = enabled</i>
ING07	C72		10 (ID2)				Digital input enabled

Parameters of G26800 CPU PCB version 8.01.xx						
Parameter Name		LRP018 LRP035	LRP028 LRP045	LRP055 LRP075 LRP102	LK	
Smart	LCD	U.M.	LK020 LK034	LK045 LK065 LK080	105	DESCRIPTION
<b>CTRL 08</b>	<b>CrL C80</b>					<b>Counter and reset control</b>
HOURS	C81			1		Burner operating hours counter
CYCLES	C82			1		Ignition cycles counter
FAULT				1		Fault counter
RESET	C84			0		Reset control 1 = PCB fault reset
<b>CTRL 09</b>	<b>CrL C90</b>					<b>Control 09 - NOT USED ON LRP-LK</b>
CTRL_09				0		Control enabling 0 = disabled
<b>FUNC 02</b>	<b>Fnu P20</b>					<b>Function 02 - NOT USED ON LRP-LK</b>
FN_02				0		Control enabling 0 = disabled
<b>FUNC 03</b>	<b>Fnu P30</b>					<b>Ventilation Management Function (EC-AC Fans) - NOT USED ON LRP-LK</b>
FN_03				1		Function enabling 0 = disabled 1 = proportional POT%_OUT enabled 2 = proportional enabled to PID%_PRESS, value of REG_04_05 3 = start and modulation with temperatures TIN3, TFN3 and TCD3 4 = proportionally enabled to analogue input ING3A
T_ON	P32	sec		45		Seconds of delay for fan start
T_OFF	P33	sec		150		Seconds of delay for fan stop
OUT3A				8		Digital output for main fan
OUT3B				3 (Y2)		Analogue output for main fan
ING3A				1 (NTC1)		Reference analogue input
TIN3	P37	°C		35		Heating fan ON temperature
TFN3	P38	°C		65		Temperature for output linearisation
TCD3	P39	°C		18		Conditioning fan ON temperature
<b>FUNC 04</b>	<b>Fnu P40</b>					<b>Function 04 - NOT USED ON LRP-LK</b>
FN_04				0		Function Enabling 0 = disabled
<b>FUNC 05</b>	<b>Fnu P50</b>					<b>Function 05 - NOT USED ON LRP-LK</b>
S5				0		Function enabling 0 = disabled
<b>FUNC 08</b>	<b>Fnu P80</b>					<b>Damper Management Function</b>
FN_08				0		Function Enabling 0 = disabled 1 = enables outdoor air and/or exhaust damper (ON/OFF) 2 = enables mixture, outdoor and exhaust damper (modulating)

## Parameters of G26800 CPU PCB version 8.01.xx

Parameter Name	LRP018 LRP035 LRP028 LRP045 LK020 LK034	LRP055 LRP075 LRP102 LK045 LK065 LK080	LK 105	DESCRIPTION
Smart	LCD			
RTU	RS485 Serial Communication Configurations			
D_SL	SSL	0		slave serial baud rate (SMART X) 0 = baud rate 19,200 - Even Parity 1 = baud rate 9,600 - Even Parity 2 = baud rate 19,200 - Odd Parity 3 = baud rate 9,600 - Odd Parity 4 = baud rate 19,200 - No Parity 5 = baud rate 9,600 - No Parity
<b>NTC input configuration</b>				
NTC1		1		Activates or deactivates NTC1 input
NTC2		0		Activates or deactivates NTC2 input
NTC3		0		Activates or deactivates NTC3 input
<b>B1 Input Configurations</b>				
B1		1		B1 analogue input enabling 0 = disabled 1=enabled as analogue input
XA1		0		X-axis minimum value – minimum input voltage
XB1		9.99		X-axis maximum value – maximum input voltage
YA1		0		Y-axis minimum value – minimum magnitude value *
YB1		9.99		Y-axis maximum value – maximum magnitude value
CV1		1		Coefficient for PRØ displaying; value displayed on Smart and used for controls
UM1		8		1=°C; 2=bar; 3=mbar; 4=Pa; 5=%; 6=l/h; 7=mc/h; 8= V
<b>B2 Input Configurations - NOT USED ON LRP-LK</b>				
B2		0		B2 analogue input enabling 0 = disabled
<b>B3 Input Configurations - NOT USED ON LRP-LK</b>				
B3		0		B3 analogue input enabling 0 = disabled
<b>Digital Input Configurations</b>				
ID1		4		ID1 digital input enabling 0 = disabled 1 = N.C input (Fault with input Open) with manual reset 2 = N.C input (Fault with input Open) with Autoresolve 3 = N.O. input (Fault with input Closed) with Autoresolve 4 = enabled as N.O. (to enable functions, without Faults)
TD1		0		Alarm triggering or function enabling delay time
ID2		4		ID2 digital input enabling 0 = disabled 1 = N.C input (Fault with input Open) with manual reset 2 = N.C input (Fault with input Open) with Autoresolve 3 = N.O. input (Fault with input Closed) with Autoresolve 4 = enabled as N.O. (to enable functions, without Faults)
TD2		0		Alarm triggering or function enabling delay time
ID3		0		ID3 digital input enabling 0 = disabled 1 = N.C input (Fault with input Open) with manual reset 2 = N.C input (Fault with input Open) with Autoresolve 3 = N.O. input (Fault with input Closed) with Autoresolve 4 = enabled as N.O. (to enable functions, without Faults)
TD3		0		Alarm triggering or function enabling delay time

## Parameters of G26800 CPU PCB version 8.01.xx

Parameter Name	LRP018	LRP035	LRP055	LRP075	LRP102	LK			
Smart	LCD	LRP028	LRP045	LK045	LK065	LK080	105		DESCRIPTION
<b>Y0 Analogue Output Configuration - DO NOT CHANGE!</b>									
YM0				1					Direct/reverse output configuration 0 = direct output: the maximum calculation value (100%) corresponds to the maximum output value 1 = reverse output: the maximum calculation value (100%) corresponds to the minimum output value
YLO				0					Minimum voltage (or PWM in %) output value
YH0				100					Maximum voltage (or PWM in %) output value
YF0				40					Fixed voltage or % output value (forced by program)
YT0				10					Voltage increase/decrease (or in %) every second*
YNO				0					Output Linearisation Mode <i>0 = linear output value between YLO and YH0</i> <i>1 = output with values limited to YLO and YH0 (for request values below YL1 the output will be YL1, for request values above YH1 the output will be YH1)</i>

**"Burner parameters - motor rpm" Table**

PARAMETER	LRP018	LRP028	LRP035	LRP045	LRP055	LRP075	LRP102	DESCRIPTION	
<b>b1</b>	rpm	540	460	427	410	417	416	420	Motor RPM MINIMUM value (PWM1): 90÷999 (1=10 rpm)- DO NOT CHANGE
<b>b2</b>	rpm	815	730	703	660	690	645	560	Motor RPM MAXIMUM value (PWM1): 90÷999 (1=10RPM) - DO NOT CHANGE
<b>b3</b>	rpm	340	320	315	290	355	320	317	Motor RPM START-UP value (PWM1): 90÷999 (1=10RPM) - DO NOT CHANGE

PARAMETER	LK020	LK034	LK045	LK065	LK080	LK105	DESCRIPTION	
<b>b1</b>	rpm	213	210	169	182	172	172	Motor RPM MINIMUM value (PWM1): 90÷999 (1=10 rpm)- DO NOT CHANGE
<b>b2</b>	rpm	660	710	580	651	655	635	Motor RPM MAXIMUM value (PWM1): 90÷999 (1=10RPM) - DO NOT CHANGE
<b>b3</b>	rpm	320	300	345	340	355	240	Motor RPM START-UP value (PWM1): 90÷999 (1=10RPM) - DO NOT CHANGE

## 5.7. Analysis of lockouts- faults

The CPU-SMART manages two types of lockouts:

- preventive, it warns the customer that the LRP and LK heaters require maintenance;
- operational, it stops the LRP or LK heater for safety reasons or to ensure its correct operation.

Some operational faults require manual reset; others reset themselves when the problem that caused them is solved.

Below is a complete list of faults, possible causes and possible solutions.

CODE	DESCRIPTION	CAUSE	RESET
Flame Safety Alarms - Caused by the flame monitoring equipment (TER)			
E10	Failure to ignite the burner after 4 attempts performed by the equipment.	<ul style="list-style-type: none"> <li>• No gas</li> <li>• Phase and neutral reversed;</li> <li>• Earth wire not connected;</li> <li>• Phase-Phase connection without neutral;</li> <li>• Ignition electrode failed or badly positioned;</li> <li>• Detection electrode failed or badly positioned;</li> <li>• Detection electrode that moves or disperses to the earthing system when hot;</li> <li>• Low CO2 value;</li> <li>• Gas supply pressure too high (&gt;60mbar)</li> </ul>	Manual
E11	Untimely (parasitic) flame. The equipment detects a flame presence signal with burner off	<ul style="list-style-type: none"> <li>• Loss of insulation of TER equipment;</li> <li>• Loss of insulation of the detection cable or electrode</li> </ul>	Manual
E12	Ignition failure; not visible. The count, displayed in the event log, indicates problems with ignition	Check the causes as indicated in fault E10	
E13	TER equipment does not accept the reset from CPU (max 5 reset attempts in 15 minutes)	Check the causes as indicated in fault E10. Disconnect and restore power supply	Manual
E14	Lack of communication between TER equipment and CPU for more than 60 seconds	<ul style="list-style-type: none"> <li>• TER equipment or CPU PCB fault;</li> <li>• Connections on the STB thermostat to earth;</li> <li>• Capillary of the STB thermostat that discharges on the earth faston of the thermostat body</li> </ul>	Autoresolve
E15	The flame monitoring equipment (TER) does not reach the "Running" status after 300 seconds from the heat request by the CPU	<ul style="list-style-type: none"> <li>• Faulty TER equipment;</li> <li>• No gas or wrong burner adjustment;</li> <li>• Insufficient gas pressure;</li> <li>• Total or partial obstruction of the fume outlet</li> </ul>	Manual or Autoreset (every 5')
E16	General lockout of the flame monitoring equipment (TER)	<ul style="list-style-type: none"> <li>• Reports a safety burner switching off following uninterrupted operation &gt;24h;</li> <li>• Faulty TER equipment</li> </ul>	Manual or Autoreset (every 5')
E17	Internal fault of TER equipment, that does not accept reset command from CPU	Faulty TER equipment	Manual or Autoreset (every 5')
E18	Flame loss with TER equipment in running phase. The count, which can be displayed in the event log, indicates that the burner will turn off after flame stabilisation time or when the maximum Heat Input is reached	<ul style="list-style-type: none"> <li>• Reduced gas flow rate on the line or excessive pipeline heat loss;</li> <li>• Incorrect burner setting (CO2 too low)</li> </ul>	
Alarms for safety device activation			
E20	Activation of safety thermostat STB	<ul style="list-style-type: none"> <li>• Excess air temperature due to lack of air circulation/ flow;</li> <li>• Safety thermostat broken or not connected</li> </ul>	Manual
E22	STB safety thermostat activation in ignition phase	<ul style="list-style-type: none"> <li>• Frost or temperature below -20°C;</li> <li>• Safety thermostat or flue gas thermostat broken or not connected</li> </ul>	Autoresolve
E24	ID4 input alarm	<ul style="list-style-type: none"> <li>• ID4 - IDC (CN02) input open</li> <li>• no jumper</li> </ul>	Autoresolve
E25	ID5 input alarm	<ul style="list-style-type: none"> <li>• ID5 - IDC (CN02) input open</li> <li>• no jumper</li> </ul>	Autoresolve



CODE	DESCRIPTION	CAUSE	RESET
<b>Flue Gas Fan Fault Alarms (VAG)</b>			
E30	No flue gas fan (VAG) start-up or speed too low in start-up phase	<ul style="list-style-type: none"> <li>• Flue gas fan (VAG) power supply interrupted;</li> <li>• Flue gas fan (VAG) fault;</li> <li>• CPU PCB fault.</li> </ul> To check possible CPU failure, disconnect 4-wire connector (PWM) from flue gas fan (VAG) and check ABSENCE of voltage between GND-Y0 (HALL) and B0-Y0 contacts of terminal board CN03. The presence of voltage indicates a failure of the CPU PCB	Manual
E32	Flue gas fan speed (VAG), during operation, outside minimum and maximum set parameters	<ul style="list-style-type: none"> <li>• VAG electric cables interrupted, not connected or wrongly connected;</li> <li>• Flue gas fan (VAG) fault</li> </ul>	Manual or Autoreset (every 5')
<b>Digital input alarms</b>			
E36	ID1 input alarm	Programming error of par. ID1. Set par. ID1=0 (if not used for connection with remote controls) or ID1=4	Manual or Autoresolve
E37	ID2 input alarm	Programming error of par. ID2. Set par. ID4=0 (if not used for connection with remote controls) or ID2=4	Manual or Autoresolve
E38	Condensate control electrode activation alarm	<ul style="list-style-type: none"> <li>• Clogged condensate drain (ice or impurities) - clean siphon and/or exhaust duct;</li> <li>• Condensate detection electrode grounded or faulty</li> </ul>	Manual or Autoresolve
<b>Alarms of analogue inputs and NTC probes</b>			
E41	NTC1 probe error	No signal from NTC probe or faulty NTC probe	Autoresolve
<b>Overtemperature Alarms</b>			
E51	NTC1 probe temperature > TH1	<ul style="list-style-type: none"> <li>• Air flow rate insufficient;</li> <li>• Cooling fan(s) inoperative;</li> <li>• Wrong parameter TH1 adjustment</li> </ul>	Autoresolve with NTC1 < ST1
<b>Modbus communication alarms</b>			
E60	Modbus Slave serial network communication error (CN04)	<ul style="list-style-type: none"> <li>• Modbus serial network disconnected;</li> <li>• The address of the CPU PCB is wrong and/or not configured</li> </ul>	Autoresolve
<b>Alarms for no voltage or dirty filters</b>			
E71	Dirty air filter, preventive warning	Not used;	
E72	Dirty air filter, lockout alarm	Not used;	
E75	No voltage during operating cycle (excluding standby); fault is not visible on remote control but only counted	No voltage during operation	
<b>Parameter configuration error alarms</b>			
E98	Input configuration error	No input enabling for functions or controls (e.g. no activation of NTC1 input combined with REG_01)	Autoresolve
E99	Function configuration error	No activation of compulsory functions for the product type (e.g. no activation of CTRL_04 for product type "LRP-LK")	Autoresolve
<b>EEPROM alarms</b>			
E100 (CPU)	Eeprom access error	Eeprom missing or inserted in the opposite direction	Autoresolve
E101 (EPr)	Eeprom data error	Eeprom removed during operation or damaged	Autoresolve

## 6. GAS CONNECTION

Use the gas line connections only with CE certified components.

The heater is supplied complete with:

- a dual gas valve;
- a gas governor and filter.

All components are fitted inside the burner housing. To complete the installation, as required by current standards, the following components must be fitted by the installer:

- Anti-vibration joint
- Gas valve

**NOTE: AN EN126 certified gas filter with filtration level lower than or equal to 50 microns must be used, with no pressure stabiliser, with great capacity, since the filter supplied as standard, upstream of the gas valve, has a limited surface.**

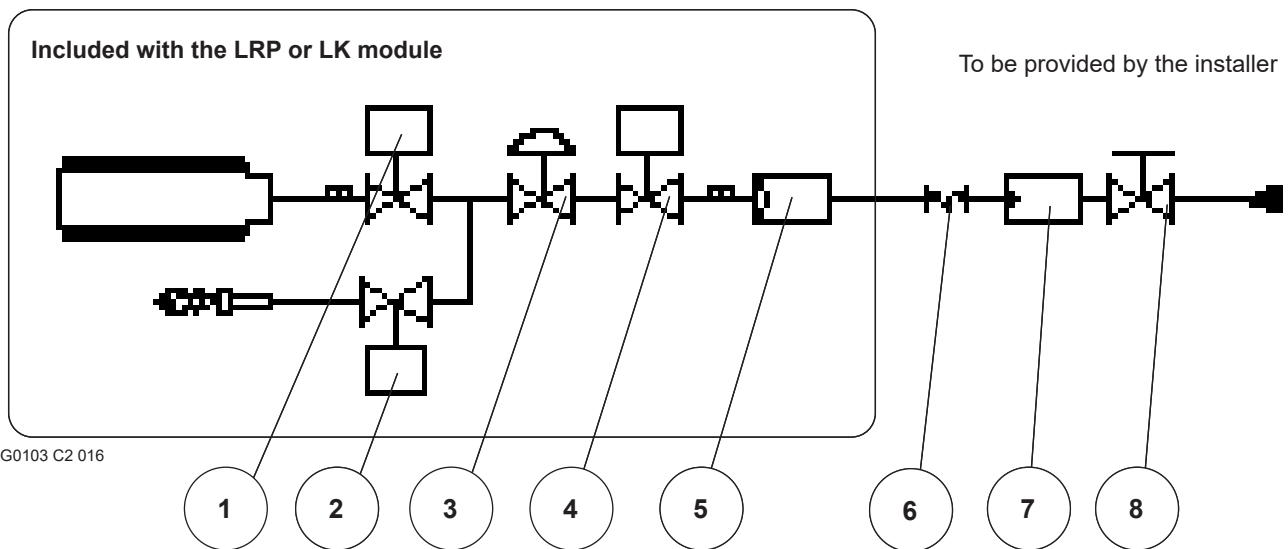
**NOTE: For ease of maintenance, connect the heater by means of a seal and swivel gasket.**

Avoid using threaded connections directly on the gas connection.

Current legislation allow a maximum pressure inside the rooms, or thermal station, of 40mbar; higher pressure must be reduced upstream of the boiler room or the site where the heater is installed.

### KEY

- |   |                                 |
|---|---------------------------------|
| 1 | Main burner gas solenoid valve  |
| 2 | Pilot burner gas solenoid valve |
| 3 | Pressure stabiliser             |
| 4 | Safety gas solenoid valve       |
| 5 | Gas filter (small section)      |
| 6 | Anti-vibration joint            |
| 7 | Gas filter (large section)      |
| 8 | Gas valve                       |

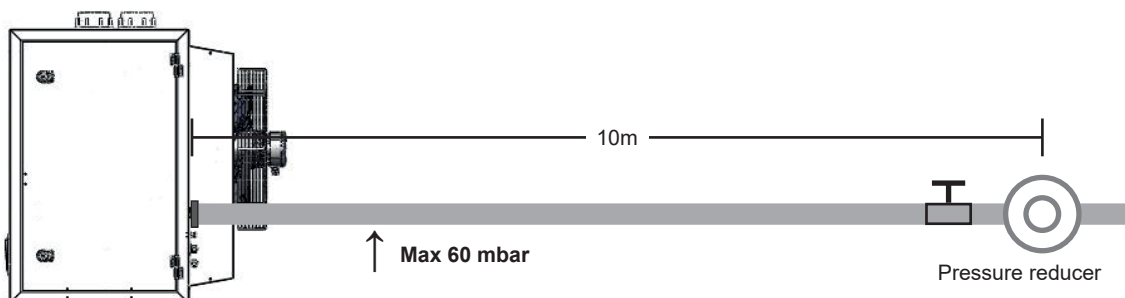


HG0103 C2 016

During the installation, it is recommended to tighten the external gas supply pipe nut without exceeding a tightening torque of 150 Nm for  $\varnothing 3/4''$ .

IT is strictly prohibited to supply gas to the circuit with pressures higher than 60 mbar. Such pressures could cause the valve to break.

If pressure is higher than 60 mbar, a pressure reducer must be installed at a distance of at least 10 m and no pressure stabiliser must be fitted between the pressure reducer and the heater, but leaving the gas filter.



## 7. SERVICING INSTRUCTIONS

The first start-up must be carried out only by authorised service centres.

The first start-up also includes a combustion analysis, which is compulsory.

The equipment is certified in the EC and non-EC countries, according to the gas categories shown below.

### 7.1. Country Table - Gas Category

Country	Category	Gas	Pressure	Gas	Pressure
AT, CH	I12H3B/P	G20	20 mbar	G30/G31	50 mbar
BE <70kW	I2E(S)B, I3P	G20/G25	20/25 mbar	G31	37 mbar
BE >70kW	I2E(R)B, I3P	G20/G25	20/25 mbar	G31	37 mbar
DE	I12ELL3B/P	G20/G25	20 mbar	G30/G31	50 mbar
DK, FI, GR, SE, NO, IT, CZ, EE, LT, SI, AL, MK, BG, RO, HR, TR	I12H3B/P	G20	20 mbar	G30/G31	30 mbar
RO	I12L3B/P	G25	20 mbar	G30/G31	30 mbar
ES, GB, IE, PT, SK	I12H3P	G20	20 mbar	G31	37 mbar
FR	I12Esi3P	G20/G25	20/25 mbar	G31	37 mbar
LU	I12E3P	G20/G25	20 mbar	G31	37/50 mbar
NL	I12EK3B/P	G20/G25.3	20/25 mbar	G30/G31	30 mbar
HU	I12HS3B/P	G20/G25.1	25 mbar	G30/G31	30 mbar
CY, MT	I3B/P			G30/G31	30 mbar
LV	I2H	G20	20 mbar		
IS	I3P			G31	37 mbar
PL	I12ELwLs3B/P	G20/G27/G2.350	20/20/13 mbar	G30/G31	37 mbar
RU	I12H3B/P	G20	20 mbar	G30/G31	30 mbar

The following information is clearly printed on the equipment packaging: country of destination, gas category and equipment code. The code allows finding out the factory settings.

**NOTE: In compliance with standards EN17082, EN 437 and ISO3166, GB refers to the United Kingdom.**

#### Codes with no extension:

- LK020IT-0X00 if there is no extension, it means that the equipment has been tested and set to run with natural gas [G20]

#### Codes with extension:

The fourth letter indicates the type of gas the equipment has been set up for:

- LK020FR-xXx0 0 indicates that the equipment has been tested and set up for natural gas [G20];
- LK020MT-xXx1 1 indicates that the equipment has been tested and set up for LPG [G31];
- LK020NL-xXx2 2 indicates that the equipment has been tested and set up for 'L' [G25] or 'K' [G25.3] natural gas;
- LK020HU-xXx3 3 indicates that the equipment has been tested and set up for natural gas [G25.1];
- LK020PL-xXx4 4 indicates that the equipment has been tested and set up for gas [G2.350].

Another adhesive label, located near the fuel connection of the equipment, specifically indicates the type of gas and the supply pressure for which the equipment has been set up and tested.

**NOTE: The unit is supplied already set for natural gas [G20] and equipped with the kit for conversion to LPG. The kit for conversion to LPG is not supplied in countries where conversion is prohibited.**

---

**NOTE: Conversion is strictly prohibited in some countries, such as Belgium, which do not allow the double gas category.**

---

## 7.2. Gas Settings Table

LRP-RAPID PRO Table

TYPE OF GAS G20 - Cat. E-H															
TYPE OF MACHINE		LRP018-0X00		LRP028-0X00		LRP035-0X00		LRP045-0X00		LRP055-0X00		LRP075-0X00		LRP102-0X00	
		min	max	min	max	min	max	min	max	min	max	min	max	min	max
CATEGORY		according to the country of destination - see reference table													
SUPPLY PRESSURE	[mbar]	20* [min 15-max 25]													
PILOT NOZZLE Ø	[mm]	0.7													
GAS CONSUMPTION (15°C-1013mbar)	[m³/h]	1.07	1.75	1.69	2.86	2.14	3.68	2.75	4.66	3.15	5.52	4.70	7.78	5.48	10.58
CARBON DIOXIDE -CO <sub>2</sub> CONTENT	[%]	8.7	8.8	8.7	8.8	8.7	8.8	8.7	8.8	8.7	8.8	8.7	8.8	8.7	8.8
FLUE GAS TEMPERATURE	[°C]	110	200	100	190	95	180	98	190	95	180	115	190	100	205
FLUE GAS MASS FLOW RATE (MAX.)	[kg/h]	27		45		58		73		86		122		165	
GAS ORIFICE PLATE	[mm]	3.9		5.7		6.0		7.0		6.8		9.7		9.9	
AIR ORIFICE PLATE	[mm]	15.5		Not required											

\* For Hungary, supply pressure is 25 mbar

TYPE OF GAS G25 - Cat. L-LL															
TYPE OF MACHINE		LRP018-0X00		LRP028-0X00		LRP035-0X00		LRP045-0X00		LRP055-0X00		LRP075-0X00		LRP102-0X00	
		min	max	min	max	min	max	min	max	min	max	min	max	min	max
CATEGORY		according to the country of destination - see reference table													
SUPPLY PRESSURE	[mbar]	25* [min 18-max 30]													
PILOT NOZZLE Ø	[mm]	0.7													
GAS CONSUMPTION (15°C-1013mbar)	[m³/h]	1.24	2.03	1.97	3.32	2.48	4.28	3.20	5.41	3.67	6.42	5.46	9.04	6.37	12.30
CARBON DIOXIDE -CO <sub>2</sub> CONTENT	[%]	8.6	8.7	8.8	8.9	8.8	8.9	8.9	9	8.7	8.8	8.7	8.8	8.7	8.8
FLUE GAS TEMPERATURE	[°C]	110	200	100	190	95	180	98	190	95	180	115	190	100	205
GAS ORIFICE PLATE	[mm]	4.4		6.3		6.6		8.5		8.1		Not necessary		Thickness of	
AIR ORIFICE PLATE	[mm]	15.5		Not required											

\* For Germany and Romania, supply pressure is 20 mbar

TYPE OF GAS G25.3 - Cat. K															
TYPE OF MACHINE		LRP018-0X00		LRP028-0X00		LRP035-0X00		LRP045-0X00		LRP055-0X00		LRP075-0X00		LRP102-0X00	
		min	max	min	max	min	max	min	max	min	max	min	max	min	max
CATEGORY		according to the country of destination - see reference table													
SUPPLY PRESSURE	[mbar]	25 [min 20-max 30]													
PILOT NOZZLE Ø	[mm]	0.7													
GAS CONSUMPTION (15°C-1013mbar)	[kg/h]	1.22	1.99	1.93	3.25	2.43	4.19	3.13	5.29	3.59	6.28	5.34	8.84	6.23	12.03
CARBON DIOXIDE -CO <sub>2</sub> CONTENT	[%]	8.7	8.9	8.7	8.9	8.8	8.9	8.8	8.9	8.8	8.9	8.8	8.9	8.7	9
FLUE GAS TEMPERATURE	[°C]	110	200	100	190	95	180	98	190	95	180	115	190	100	205
GAS ORIFICE PLATE	[mm]	4.4		6.3		6.6		8.5		8.1		Not necessary		Thickness of	
AIR ORIFICE PLATE	[mm]	15.5		Not required											

TYPE OF GAS G2.350 - Cat. Ls (Only for PL-Poland)													
TYPE OF MACHINE		LRP018-0X00		LRP028-0X00		LRP035-0X00		LRP045-0X00		LRP055-0X00		LRP075-0X00*	
		min	max	min	max	min	max	min	max	min	max	min	max
CATEGORY		according to the country of destination - see reference table											
SUPPLY PRESSURE	[mbar]	13 [min 10-max 16]											
PILOT NOZZLE Ø	[mm]	0.75											
GAS CONSUMPTION (15°C-1013mbar)	[m³/h]	1.50	2.44	2.37	4.00	2.99	5.16	3.85	6.52	4.41	7.73	6.58	9.33
CARBON DIOXIDE -CO <sub>2</sub> CONTENT	[%]	8.5	8.8	8.7	8.8	8.8	8.9	8.7	8.8	8.7	8.8	8.6	8.7
FLUE GAS TEMPERATURE	[°C]	110	200	100	190	95	180	98	190	95	180	115	190
GAS ORIFICE PLATE	[mm]	5.8		Not required									
AIR ORIFICE PLATE	[mm]	15.5		Not required								29	
* Maximum nominal heat output 63.0 kW													

TYPE OF GAS G25.1 - Cat. S (Only for HU-Hungary)													
TYPE OF MACHINE		LRP018-0X00		LRP028-0X00		LRP035-0X00		LRP045-0X00*		LRP055-0X00		LRP075-0X00	
		min	max	min	max	min	max	min	max	min	max	min	max
CATEGORY		according to the country of destination - see reference table											
SUPPLY PRESSURE	[mbar]	25 [min 20-max 33]											
PILOT NOZZLE Ø	[mm]	0.70											
GAS CONSUMPTION (15°C-1013mbar)	[m³/h]	1.24	2.03	1.97	3.32	2.48	4.28	3.19	5.16	3.66	6.41	5.45	9.03
CARBON DIOXIDE -CO <sub>2</sub> CONTENT	[%]	8.9	9	9.1	9.2	8.8	8.9	8.9	9.5	9.5	9.6	9.5	9.6
FLUE GAS TEMPERATURE	[°C]	110	200	100	190	95	180	98	180	95	180	115	190
GAS ORIFICE PLATE	[mm]	4.4		6.3		7.7		8.5		8.1		Not required	
AIR ORIFICE PLATE	[mm]	15.5		Not required									
* Maximum nominal heat output 42.0 kW													

TYPE OF GAS G27 - Cat. Lw (Only for PL-Poland)													
TYPE OF MACHINE		LRP018-0X00		LRP028-0X00		LRP035-0X00		LRP045-0X00		LRP055-0X00		LRP075-0X00	
		min	max	min	max	min	max	min	max	min	max	min	max
CATEGORY		according to the country of destination - see reference table											
SUPPLY PRESSURE	[mbar]	20 [min 16-max 23]											
PILOT NOZZLE Ø	[mm]	0.70											
GAS CONSUMPTION (15°C-1013mbar)	[m³/h]	1.30	1.96	2.06	3.21	2.61	4.14	3.35	5.24	3.85	6.21	5.73	8.75
CARBON DIOXIDE -CO <sub>2</sub> CONTENT	[%]	8.9	9	8.8	8.9	8.8	8.9	8.8	8.9	8.8	8.9	8.7	8.8
FLUE GAS TEMPERATURE	[°C]	110	200	100	190	95	180	98	190	95	180	115	190
GAS ORIFICE PLATE	[mm]	4.7		7.0		8.0		9.2		9.2		Not required	
AIR ORIFICE PLATE	[mm]	15.5		Not required									

**NOTE: The model LRP102 is not suitable for operation with gas G2.350, G25.1 and G27.**

## TYPE OF GAS G30 - Cat. 3B-P

TYPE OF MACHINE		LRP018-0X00		LRP028-0X00		LRP035-0X00		LRP045-0X00		LRP055-0X00		LRP075-0X00		LRP102-0X00*	
		min	max	min	max	min	max	min	max	min	max	min	max	min	max
CATEGORY		according to the country of destination - see reference table													
SUPPLY PRESSURE	[mbar]	30 [min 25-max 35] - 37 [min 42.5-max 57.5] - 50 [min 42.5-max 57.5]													
PILOT NOZZLE Ø	[mm]	0.51													
GAS CONSUMPTION (15°C-1013mbar)	[kg/h]	0.84	1.37	1.33	2.24	1.68	2.89	2.16	3.65	2.47	4.33	3.68	6.10	4.15	8.63
CARBON DIOXIDE -CO <sub>2</sub> CONTENT	[%]	9.9	10	9.9	10	9.9	10	9.7	9.8	9.7	9.9	10.2	10.3	10.3	10.4
FLUE GAS TEMPERATURE	[°C]	75	204	70	191	70	170	75	190	80	175	80	190	80	194
GAS ORIFICE PLATE	[mm]	2.6		3.7		4.1		5.3		4.8		5.9		7.5	
AIR ORIFICE PLATE	[mm]	15.5		Not required											

\* Maximum nominal heat output 104.0 kW

## TYPE OF GAS G31 - Cat. 3P

TYPE OF MACHINE		LRP018-0X00		LRP028-0X00		LRP035-0X00		LRP045-0X00		LRP055-0X00		LRP075-0X00		LRP102-0X00	
		min	max	min	max	min	max	min	max	min	max	min	max	min	max
CATEGORY		according to the country of destination - see reference table													
SUPPLY PRESSURE	[mbar]	30 [min 25-max 35] - 37 [min 25-max 45] - 50 [min 42.5-max 57.5]													
PILOT NOZZLE Ø	[mm]	0.51													
GAS CONSUMPTION (15°C-1013mbar)	[kg/h]	0.80	1.35	1.26	2.21	1.59	2.85	2.05	3.60	2.35	4.27	3.50	6.01	4.09	8.18
CARBON DIOXIDE -CO <sub>2</sub> CONTENT	[%]	9.7	9.8	9.7	9.8	9.6	9.7	9.6	9.7	9.7	9.8	9.7	9.8	9.7	9.8
FLUE GAS TEMPERATURE	[°C]	75	204	70	191	70	170	75	190	80	175	80	190	80	194
FLUE GAS MASS FLOW RATE (MAX.)	[kg/h]														
GAS ORIFICE PLATE	[mm]	2.6		3.7		4.1		5.3		4.8		5.9		7.5	
AIR ORIFICE PLATE	[mm]	15.5		Not required											



## LK-KONDENSA Table

TYPE OF GAS G20 - Cat. E-H													
TYPE OF MACHINE		LK020-0X00		LK034-0X00		LK045-0X00		LK065-0X00		LK080-0X00		LK105-0X00	
		min	max	min	max	min	max	min	max	min	max	min	max
CATEGORY		according to the country of destination - see reference table											
SUPPLY PRESSURE	[mbar]	20* [min 17-max 25]											
PILOT NOZZLE Ø	[mm]	0.7											
GAS CONSUMPTION (15°C-1013mbar)	[m³/h]	0.51	2.01	0.80	3.69	0.90	4.44	1.31	6.88	1.74	8.68	2.22	10.6
CARBON DIOXIDE -CO <sub>2</sub> CONTENT	[%]	8.8	9.1	8.7	9.1	8.7	9.1	8.7	9.1	8.7	9.1	8.5	9.1
FLUE GAS TEMPERATURE	[°C]	38	111	31	94	30	93	31	86	26	70	28	80
FLUE GAS MASS FLOW RATE (MAX.)	[kg/h]	31		58		70		108		136		165	
GAS ORIFICE PLATE	[mm]	4.4		6.0		7.2		10		9.7		Thickness of	
AIR ORIFICE PLATE	[mm]	Not required											

\* For Hungary, supply pressure is 25 mbar

TYPE OF GAS G25 - Cat. L-LL													
TYPE OF MACHINE		LK020-0X00		LK034-0X00		LK045-0X00		LK065-0X00		LK080-0X00		LK105-0X00	
		min	max	min	max	min	max	min	max	min	max	min	max
CATEGORY		according to the country of destination - see reference table											
SUPPLY PRESSURE	[mbar]	25* [min 17-max 30]											
PILOT NOZZLE Ø	[mm]	0.7											
GAS CONSUMPTION (15°C-1013mbar)	[m³/h]	0.59	2.34	0.93	4.29	1.05	5.17	1.53	8.00	2.02	10.1	2.21	12.3
CARBON DIOXIDE -CO <sub>2</sub> CONTENT	[%]	8.8	9	8.6	9	8.8	8.9	8.8	9.2	8.6	9.1	8.8	9
FLUE GAS TEMPERATURE	[°C]	38	111	31	94	30	93	31	86	26	70	28	80
GAS ORIFICE PLATE	[mm]	5.3		7.2		9.0		Not required		Not required		Thickness of	
AIR ORIFICE PLATE	[mm]	Not required											

\* For Germany and Romania, supply pressure is 20 mbar

TYPE OF GAS G25.3 - Cat. K													
TYPE OF MACHINE		LK020-0X00		LK034-0X00		LK045-0X00		LK065-0X00		LK080-0X00		LK105-0X00	
		min	max	min	max	min	max	min	max	min	max	min	max
CATEGORY		according to the country of destination - see reference table											
SUPPLY PRESSURE	[mbar]	25 [min 20-max 30]											
PILOT NOZZLE Ø	[mm]	0.7											
GAS CONSUMPTION (15°C-1013mbar)	[kg/h]	0.57	2.29	0.91	4.19	1.02	5.05	1.49	7.82	1.97	9.87	2.53	12.03
CARBON DIOXIDE -CO <sub>2</sub> CONTENT	[%]	8.7	9.1	8.8	9	8.8	9.1	8.9	9.1	8.7	9.1	8.8	9.4
FLUE GAS TEMPERATURE	[°C]	38	111	31	94	30	93	31	86	26	70	28	80
GAS ORIFICE PLATE	[mm]	5.3		7.2		9		Not required		Not required		Thickness of	
AIR ORIFICE PLATE	[mm]	Not required											

TYPE OF GAS G2.350 - Cat. Ls (Only for PL-Poland)									
TYPE OF MACHINE		LK020-0X00		LK034-0X00		LK045-0X00		LK065-0X00*	
		min	max	min	max	min	max	min	max
CATEGORY		according to the country of destination - see reference table							
SUPPLY PRESSURE	[mbar]	13 [min 10-max 16]							
PILOT NOZZLE Ø	[mm]	0.75							
GAS CONSUMPTION (15°C-1013mbar)	[m³/h]	0.71	2.81	1.13	5.17	1.26	6.22	1.84	9.63
CARBON DIOXIDE -CO <sub>2</sub> CONTENT	[%]	8.4	9	8.4	9	8.6	9	7.3	7.9
FLUE GAS TEMPERATURE	[°C]	38	111	31	94	30	93	31	86
GAS ORIFICE PLATE	[mm]	7.9		Not required					
AIR ORIFICE PLATE	[mm]	Not required						30.5	

\* Maximum nominal heat output 57.0 kW

**NOTE:** The MAX heat input of model LK065-0X00 is lower with respect to the operation with G20. Models LK080-0X00 and LK105-0X00 are not suitable to operate with gas G2.350. The conversion kit for G2.350 is only supplied on request.

TYPE OF GAS G25.1 - Cat. S (Only for HU-Hungary)													
TYPE OF MACHINE		LK020-0X00		LK034-0X00		LK045-0X00		LK065-0X00		LK080-0X00		LK105-0X00*	
		min	max	min	max	min	max	min	max	min	max	min	max
CATEGORY		according to the country of destination - see reference table											
SUPPLY PRESSURE	[mbar]	25 [min 20-max 33]											
PILOT NOZZLE Ø	[mm]	0.70											
GAS CONSUMPTION (15°C-1013mbar)	[m³/h]	0.59	2.33	0.93	4.29	1.04	5.16	1.52	7.99	2.01	10.1	2.21	12.3
CARBON DIOXIDE -CO <sub>2</sub> CONTENT	[%]	9.3	9.5	9.1	9.6	9.4	9.6	9.3	9.7	9.8	10.3	9.4	9.6
FLUE GAS TEMPERATURE	[°C]	38	111	31	94	30	93	31	86	26	70	28	80
GAS ORIFICE PLATE	[mm]	5.3		7.2		9.5		Not required				Thickness of	
AIR ORIFICE PLATE	[mm]	Not required											

\* Maximum nominal heat output 94.0 kW

TYPE OF GAS G27 - Cat. Lw (Only for PL-Poland)													
TYPE OF MACHINE	Output	LK020-0X00		LK034-0X00		LK045-0X00		LK065-0X00*		LK080-0X00**		LK105-0X00***	
		min	max	min	max	min	max	min	max	min	max	min	max
CATEGORY		according to the country of destination - see reference table											
SUPPLY PRESSURE	[mbar]	20 [min 16-max 23]											
PILOT NOZZLE Ø	[mm]	0.70											
GAS CONSUMPTION (15°C-1013mbar)	[m³/h]	0.57	2.26	0.90	4.15	1.01	5.00	1.48	7.74	1.95	9.76	2.50	11.90
CARBON DIOXIDE -CO <sub>2</sub> CONTENT	[%]	8.7	9.2	8.7	9.1	8.6	9.1	8.6	8.8	8.7	9.1	8.5	8.7
FLUE GAS TEMPERATURE	[°C]	38	111	31	94	30	93	31	77	26	67	28	74
GAS ORIFICE PLATE	[mm]	5.7		8.1		9.5		Not required				Thickness of	
AIR ORIFICE PLATE	[mm]	Not required						30.5		Not required			

\* Maximum nominal heat output 57 kW  
 \*\* Maximum nominal heat output 75 kW  
 \*\*\* Maximum nominal heat output 94 kW

TYPE OF GAS G30 - cat. 3B-P													
TYPE OF MACHINE		LK020-0X00		LK034-0X00		LK045-0X00		LK065-0X00		LK080-0X00*		LK105-0X00**	
		min	max	min	max	min	max	min	max	min	max	min	max
CATEGORY		according to the country of destination - see reference table											
SUPPLY PRESSURE	[mbar]	30 [min 25-max 35] - 50 [min 42.5-max 57.5]											
PILOT NOZZLE Ø	[mm]	0.51											
GAS CONSUMPTION (15°C-1013mbar)	[kg/h]	0.40	1.58	0.63	2.90	0.71	3.49	1.03	5.39	1.49	6.80	1.70	8.30
CARBON DIOXIDE -CO <sub>2</sub> CONTENT	[%]	10.8	11.4	10.8	11.5	10.8	10.9	10.7	11.3	10.1	10.3	10.4	10.6
FLUE GAS TEMPERATURE	[°C]	38	111	31	94	30	93	31	86	26	70	28	80
GAS ORIFICE PLATE	[mm]	3.0		4.3		5.2		6.3		6.0		7.8	
AIR ORIFICE PLATE	[mm]	Not required											
* Minimum nominal heat output 18 kW													
** Minimum nominal heat output 24 kW													

TYPE OF GAS G31 - Cat. 3P													
TYPE OF MACHINE		LK020-0X00		LK034-0X00		LK045-0X00		LK065-0X00		LK080-0X00		LK105-0X00	
		min	max	min	max	min	max	min	max	min	max	min	max
CATEGORY		according to the country of destination - see reference table											
SUPPLY PRESSURE	[mbar]	30 [min 25-max 35] - 37 [min 25-max 45] - 50 [min 42.5-max 57.5]											
PILOT NOZZLE Ø	[mm]	0.51											
GAS CONSUMPTION (15°C-1013mbar)	[kg/h]	0.4	1.58	0.63	2.9	0.71	3.49	1.03	5.39	1.49	6.8	1.70	8.3
CARBON DIOXIDE -CO <sub>2</sub> CONTENT	[%]	9.3	9.8	9.2	9.7	9.3	9.4	9.4	9.6	9.3	9.6	9.5	9.8
FLUE GAS TEMPERATURE	[°C]	38	111	31	94	30	93	31	86	26	70	28	80
FLUE GAS MASS FLOW RATE (MAX.)	[kg/h]	24		45		58		84		107		130	
GAS ORIFICE PLATE	[mm]	3.0		4.3		5.2		6.3		6.0		7.8	
AIR ORIFICE PLATE	[mm]	Not required											

## 7.3. Starting up for the first time

The LRP and LK heaters are supplied with settings entered and tested for the gas specified on the nameplate. Before turning on the heater, check the following:

- make sure the gas being supplied matches the gas for which the heater has been set up;
- check, with the pressure intake "IN" on the gas valve, that the valve input pressure corresponds to that required for the type of gas being used;
- check that electrical connections correspond to those indicated in this manual or other wiring diagrams enclosed with the unit;
- check that efficient earthing connections have been completed, carried out as specified by current safety regulations;
- power on the heater with the general switch located on the unit and insert the power plug inside the compartment.

To turn on the heater, follow the instructions below:  
Check that the display shows RDY; if OFF is displayed instead, work on the control, under FUN, and set the device to ON; Check that heat is being demanded by the connected control. When ON appears on the LCD display, the heater starts the ignition cycle.

**NOTE: Frequently, when turned on for the first time, the pilot burner cannot ignite because there is air in the gas pipe. This will lock out the equipment. You will need to reset the equipment and repeat the operation until it ignites.**

## 7.4. Analysis of combustion

Wait until the heater is switched on. Check that the heater reaches its maximum power: from the LCD display, access the REG menu, then use the Hi and Lo controls to force operation at maximum or minimum output.

If the heater is controlled via the Smart X Web/Easy, the function shown is valid and the switches must not be reset to control the operation from the LCD panel.

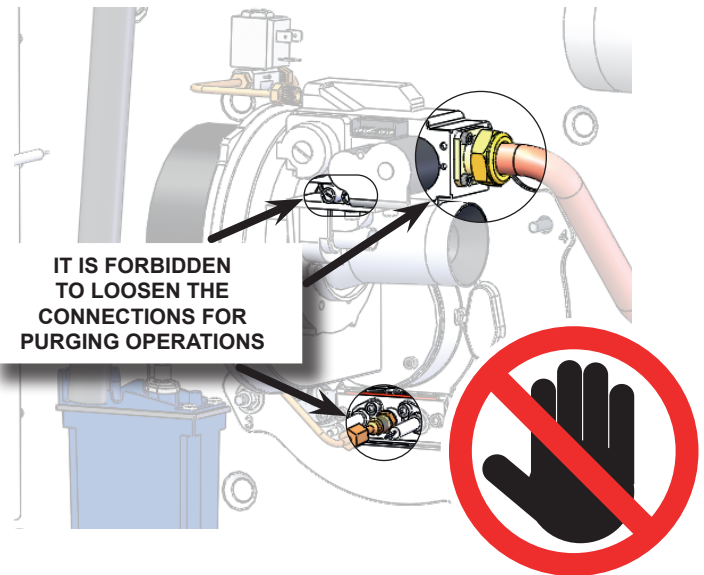
At maximum output, check again that the input pressure in the valve corresponds to the value required; adjust if necessary. Perform the combustion analysis to verify that the level of CO<sub>2</sub> corresponds to the figures in the tables in Paragraph 7.2 "GAS Connections tables".

If the measured value is different, turn the adjustment screw on the Venturi pipe. Loosening the screw will increase the CO<sub>2</sub> level, screwing it down will decrease the level.

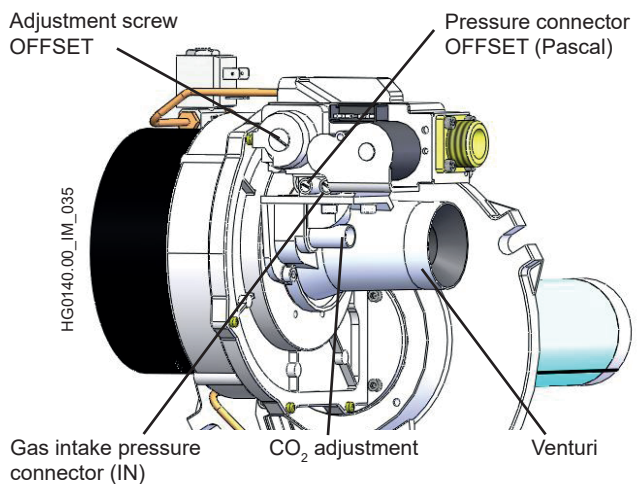
Set the heater to minimum output, and verify that the level of CO<sub>2</sub> corresponds to the figures in the tables in Paragraph 7.2 "GAS Connections Tables". If the values do not match, screw or loosen the offset screw respectively to increase or decrease the CO<sub>2</sub> level and repeat the procedure.

**NOTE: The heater directly supplied to function with LPG is set up for G31 gas. If the unit runs on G30 instead, it is necessary to verify and possibly adjust settings for CO<sub>2</sub> as shown in the tables in Paragraph 7.2 "Gas settings tables".**

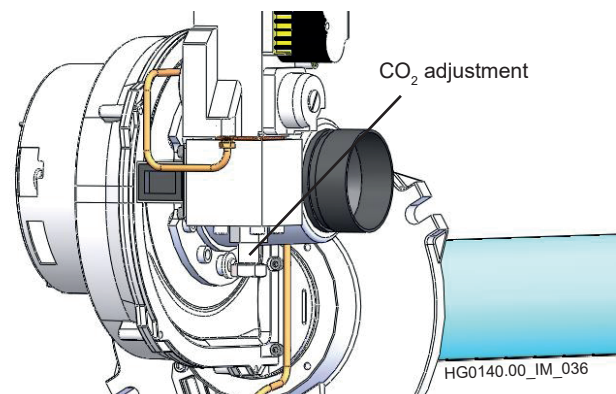
**ATTENTION: IT IS FORBIDDEN** to loosen the gas connections, the pressure connectors, the pilot burner duct, or any other gas connection point located inside the burner housing, to purge the air or inert gas that may be present inside the main feeding piping. The purging of air or inert gas from gas feeding lines must be carried out in accordance with current legislation.



For models: LRP018-075 and LK020-080



For models: LRP102 and LK105



## 7.5. Conversion to LPG

**Conversion is strictly prohibited in some countries, such as Belgium, which do not allow the double gas category.**

The unit is supplied already set for natural gas and with the kit for conversion to LPG, including:

- calibrated gas orifice plate;
- pilot nozzle;
- adhesive plate "Equipment converted...".

The kit is not supplied in countries where conversion is prohibited.

To convert the unit, follow these instructions:

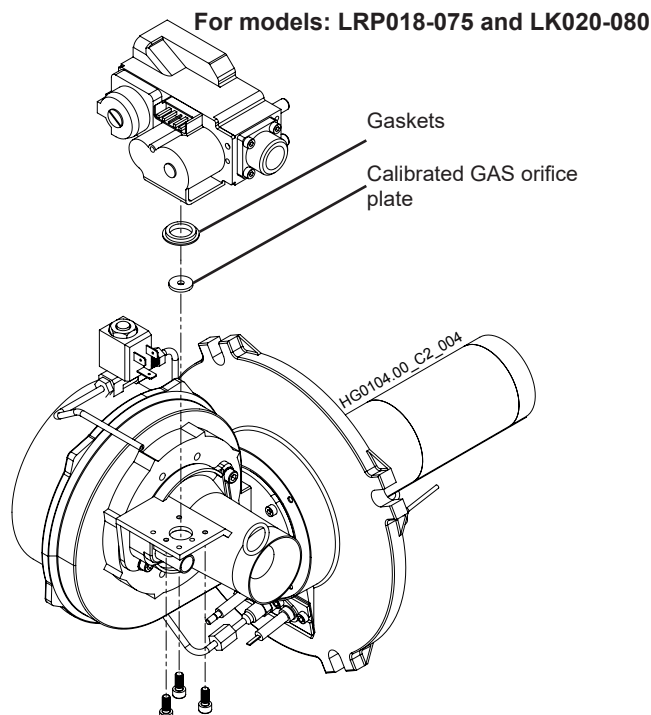
- disconnect from power supply;
- between the gas valve and the Venturi, replace the gas orifice plate fitted (natural gas) with the one supplied with the kit (for LPG);
- replace the pilot nozzle (natural gas) with the one in the kit (LPG);
- restore power supply and set the heater up for ignition;
- while the start-up electrode is sparking, make sure there are no gas leaks.

When the burner is lit and working at maximum capacity, verify that the valve intake pressure corresponds to the value required for the type of gas that you are using.

Perform the combustion analysis as described in Paragraph 7.5 "Combustion Analysis" and check that:

- the value of CO<sub>2</sub>, at maximum and minimum heat output, is within the limits indicated for the type of gas being used (tables in Paragraph 7.2 "Gas Settings Table"). If a different value is detected, change it by turning the adjustment screw: screwing it down decreases the CO<sub>2</sub> level, loosening it increases the level.
- that the gas valve Venturi pipe connector does not leak.

After converting and regulating the unit, replace the nameplate indicating "Equipment regulated for natural gas" with the one in the kit that indicates "Equipment converted ...".



## 7.6. Conversion to gas G25 - G25.1 - G25.3 - G27

Conversion for gasses from G20 to G25 or G25.1 or G25.3 or G27 is allowed only in countries of category I12ELL3B/P [Germany], I12Esi3P [France], I12E3P [Luxembourg] and category I12HS3B/P [Hungary] and category I12ELwLs3B/P [Poland]. For countries in category I12EK3B/P [Netherlands] the unit is supplied already set up and regulated for G25.3.

For category I2E countries, where conversion from G20 to G25 is not permitted [Belgium], the unit is supplied set for operation with G20 gas.

Conversion from one type of gas to another can only be performed by authorised service centres.

Conversion to G25 and/or G25.1, G25.3, G27 where possible, consists in:

- insertion of orifice plate (according to the gas type and the equipment model)

After the conversion, relight the burner and:

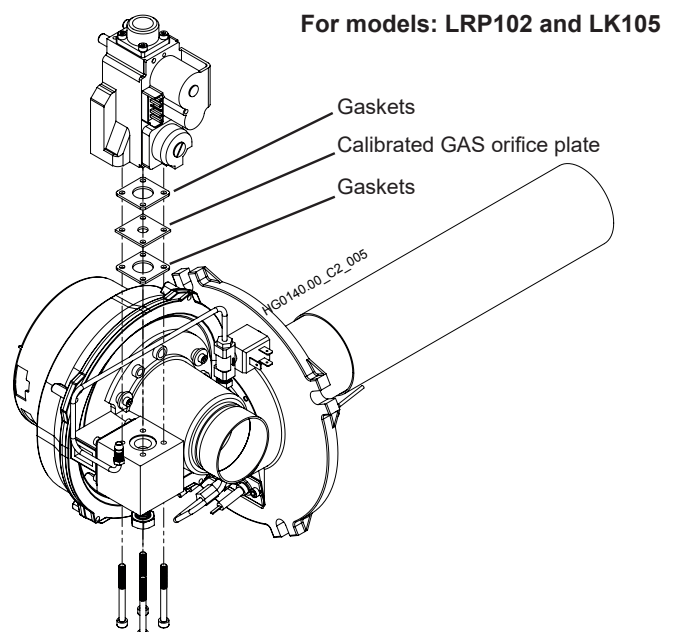
- check that the intake pressure to the gas valve corresponds to the level required for the type of gas [see tables in Paragraph 7.2 "GAS Connection Tables"];
- check that the level of CO<sub>2</sub>, at maximum and minimum heat output, is between the values indicated for the type of gas. If the value is different, change it by turning the adjustment screw on the Venturi pipe: screwing it down decreases the value, loosening it increases the value.

Stick the nameplate "Equipment converted for gas G25...." in place of the one that says "Equipment set up for .....".

**NOTE: Always pay close attention to the level of CO<sub>2</sub> in G25.1; for G25.1 minimum and maximum heat output in the LK105-0X00 model will always be lower than when used with G20.**

**The model LRP102-0X00 is not suitable for operation with gas G27 and G25.1.**

**NOTE: The conversion kit to G25 , G25.1 and G27 is only supplied on request. The conversion kit to G25 is included in the standard supply for France, Germany and Luxembourg.**





## 7.7. Conversion to gas G2.350

Conversion is allowed only for Poland.

Conversion from one type of gas to another can only be performed by authorised service centres.

Conversion to G2.350 consists in:

- for all models: pilot nozzle replacement.
- only for model LK020: mounting a calibrated gas orifice plate [see tables in Paragraph 7.2 "Gas Settings Tables"].
- only for model LK065: mounting a calibrated orifice plate on the air intake of the Venturi pipe [see tables in Paragraph 7.2 "Gas Settings Tables"].

After the conversion, relight the burner and:

- check that the intake pressure to the gas valve corresponds to the level required for the type of gas [see tables in Paragraph 7.2 "GAS Connection Tables"];
- check that the level of CO<sub>2</sub>, at maximum and minimum heat output, is between the values indicated for the type of gas. If the value is different, change it by turning the adjustment screw on the Venturi pipe: screwing it down decreases the value, loosening it increases the value.

Stick the nameplate "Equipment converted for gas G2.350...." in place of the one that says "Equipment set up for .....".

**NOTE: The minimum and maximum heat outputs of model LK065 are lower with respect to the operation with G20. Models LK080-0X00 and LK105-0X00 are not suitable to operate with gas G2.350. The model LRP102 is not suitable for operation with gas G2.350.**

**NOTE: The conversion kit is supplied on request**

## 7.8. Replacing the Gas Valve

If the gas valve must be replaced, it is required to proceed with an inspection and possibly calibrate the CO<sub>2</sub> level through the adjustment on the Venturi pipe.

It is advisable not to calibrate the offset: the valve calibration is performed by the manufacturer.

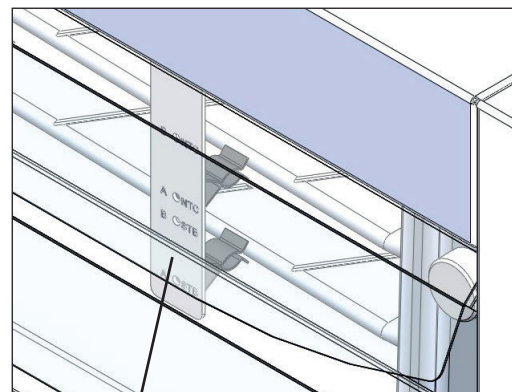
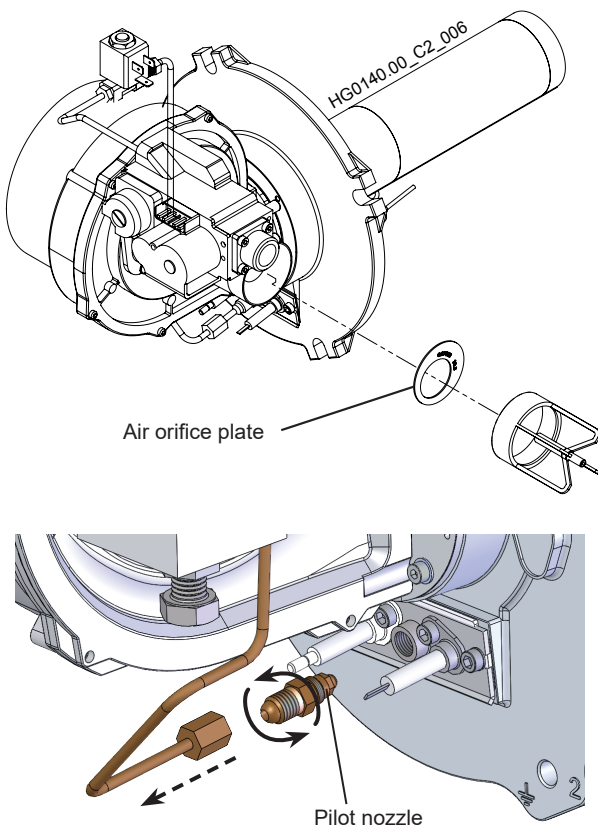
If necessary, carry out the combustion analysis procedure as described in Paragraph 7.4 "Analysis of combustion".

It is recommended to always carry out the flue gas analysis after replacing the gas valve.

## 7.9. Replacing STB and NTC

If STB thermostat and NTC probe need to be replaced, it is necessary to comply with their position shown in the table and on the relevant bracket on the unit.

MODEL	POSITION STB	POSITION NTC
LRP018-0X00	A	C
LRP028-0X00		
LK020-0X00		
LRP035-0X00	H	E
LRP045-0X00	B	A
LK034-0X00		D
LRP055-0X00	E	G
LK045-0X00		
LRP075-0X00	F	H
LK065-0X00		
LRP102-0X00	M	P
LK080-0X00		
LK105-0X00	L	N



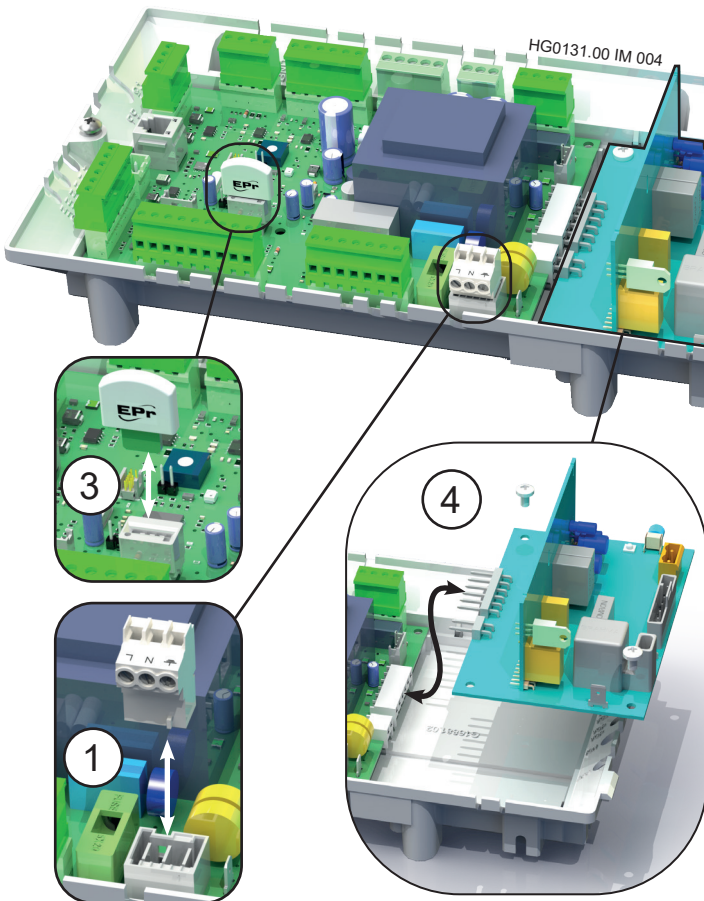
Bracket with the indication of the position (A, B, C, etc.) of STB and NTC



## 7.10. Replacing the modulation PCB

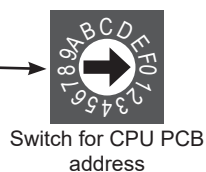
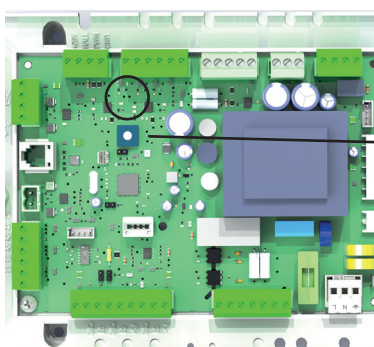
When replacing the CPU modulation PCB, it is required to carry out some essential operations, described below.

1. Disconnect voltage to the module
2. Disconnect all terminals from the CPU PCB
3. Remove and store the EEPROM memory card (point 3)
4. Disconnect the TER safety PCB
5. Remove and replace the CPU modulation PCB
6. Reposition the new CPU PCB, insert the previously stored EEPROM memory card (point 3.) **(The EEPROM card contains all the configured parameters, by inserting it into the new CPU, it is not necessary to reprogram the parameters)**
7. Reconnect the TER safety PCB and all terminals respecting the original positions.



### Check the hardware configuration of the PCB

Modify the address of the PCB with the switch selector, copying that of the PCB that was just replaced.



## 8. MAINTENANCE

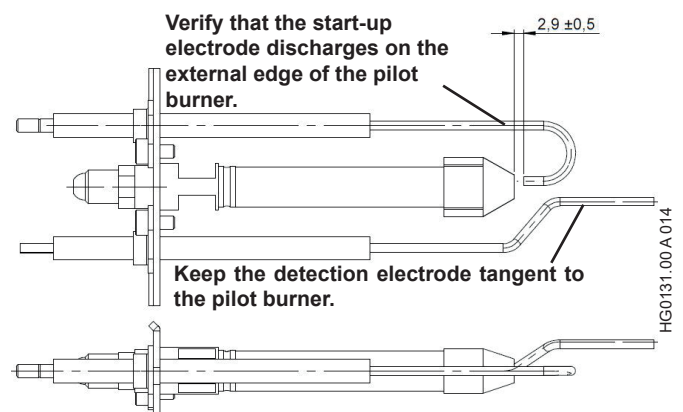
To keep the heater efficient and guarantee a long lifetime of the same, it is advisable to run some inspections at regular intervals:

- 1) check the status of start-up and detection electrodes, pilot flame and relevant seal;
- 2) check the status of flue exhaust and air intake ducts and terminals;
- 3) check the status of the Venturi pipe;
- 4) check and if necessary clean the exchanger and burner;
- 5) check and clean the water trap;
- 6) check the intake pressure at the gas valve;
- 7) check the operation of flame monitoring equipment;
- 8) check the safety thermostat(s);
- 9) check the ionization current.

**NOTE: Operations at points 1, 2, 3, 4 and 5 must be performed after disconnecting the heater from the electrical mains and closed the gas supply. Operations at point 6, 7, 8 and 9 must be done with the heater on.**

### Maintenance interval chart

Maintenance	Every year	Extraordinary
1) Electrodes and Pilot	●	
2) Flue gas/Air Terminals	●	
3) Venturi pipes	●	
4) Exchanger/Burner		●
5) Siphon and condensate collection tray	●	
6) Gas valve	●	
7) Flame Equipment	●	
8) Safety thermostat(s)	●	
9) Ionization current	●	



## 1) Inspection of electrodes

Dismantle the complete pilot flame and use a jet of compressed air to clean the mesh and nozzle. Check the integrity of the ceramic and use sandpaper to remove any oxidation on the metal parts of the electrodes. Check the correct position of the electrodes (see drawing below). It is important that the detection electrode is tangent to the head of the pilot and not inside it. The start-up electrode must discharge onto the mesh of the pilot burner.

## 2) Inspection of flue gas exhaust and air intake ducts

Visually inspect where possible or use specific tools to check the status of the ducts.

Remove dust that forms on the air intake terminal.

## 3) Inspection and cleaning of the Venturi pipe

Remove any dirt at the mouth of the Venturi pipe with a brush, and be careful to not let it fall inside the piece.

## 4) Inspection and cleaning of the exchanger and burner

Perfect combustion in LRP and LK heaters prevents soot forming, which is normally caused by bad combustion. It is advisable, therefore, to not clean the exchanger and burner unless there are exceptional circumstances.

An accumulation of dirt inside the exchanger could be revealed by a considerable variation in the gas capacity that is not caused by improper functioning of the gas valve.

Should it become necessary to clean the burner and/or exchanger, all the gaskets between the burner and the exchanger must be replaced.

## 5) Inspection and cleaning of the trap and condensation collection tray

Clean the trap every year, and check the connections. Make sure there are no traces of metallic residue. If metallic residue has formed, increase the number of inspections.

Remove the cover retaining screws and clean the internal part of the trap and the relevant float (it is possible to clean the trap under running water) by checking that all ducts are free. Check the seal conditions. Check the integrity of the detection electrode and use sandpaper to remove any oxidation on the metal part. Fill in the main tank with clean water and close the cover. Reconnect the trap to the condensate drain system.

To check that the salts inside the tray are still active, use litmus paper to check that the pH level of water flowing out of is greater than 6.

If the pH is lower, replace the calcium carbonate present in the tray.

## 6) Inspection of intake gas pressure

Check that the intake pressure at the valve corresponds to the value required for the type of gas that you are using.

This verification must be done with the heater on at the maximum heat capacity.

## 7) Inspection of flame monitoring equipment

With the heater running, close the gas tap and verify that the machine is locked out, signalled on the LCD display of the CPU PCB on the machine with E10. Reopen the gas tap, reset the lockout and wait for the heater to restart.

## 8) Inspection of the safety thermostat(s)

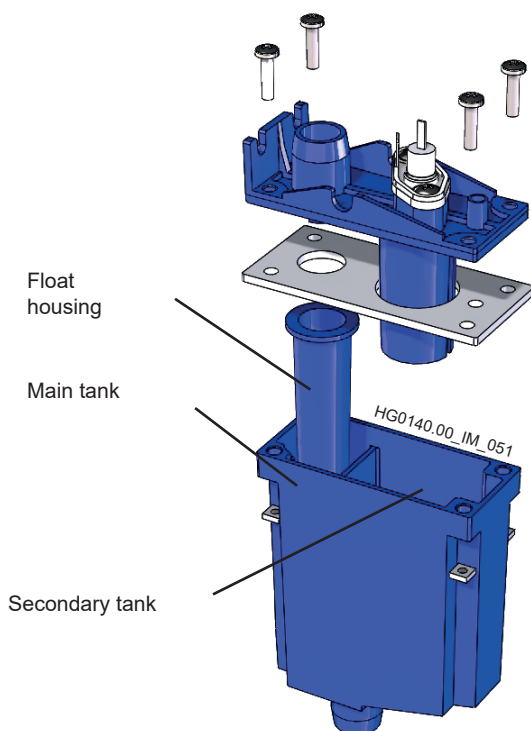
This procedure must be done with the heater on and the burner lit. Open the thermostat series with an insulated tool [230 V], remove the fast-on from the safety thermostat, wait for the E20 block signal to appear on the LCD display on the CPU PCB on the machine. Close again the thermostat series, then reset the lockout.

## 9) Inspection of the ionization current

This procedure can be done directly from the LCD display by entering into the I/O menu. The IOn parameter indicates the value of the ionization current, and the reading is as follows:

- 100, indicates that the value is more than 2 microAmperes, which is plenty for the equipment to function;
- from 0 to 100, indicates a value from 0 to 2 microAmperes; for example, 35 corresponds to 0.7 microAmperes, which is the minimum threshold detectable for the flame monitoring equipment.

The value of the ionisation current must not be below 2 microAmperes. Lower values indicate: the detection electrode in a bad position, a rusted electrode or one about to stop functioning.



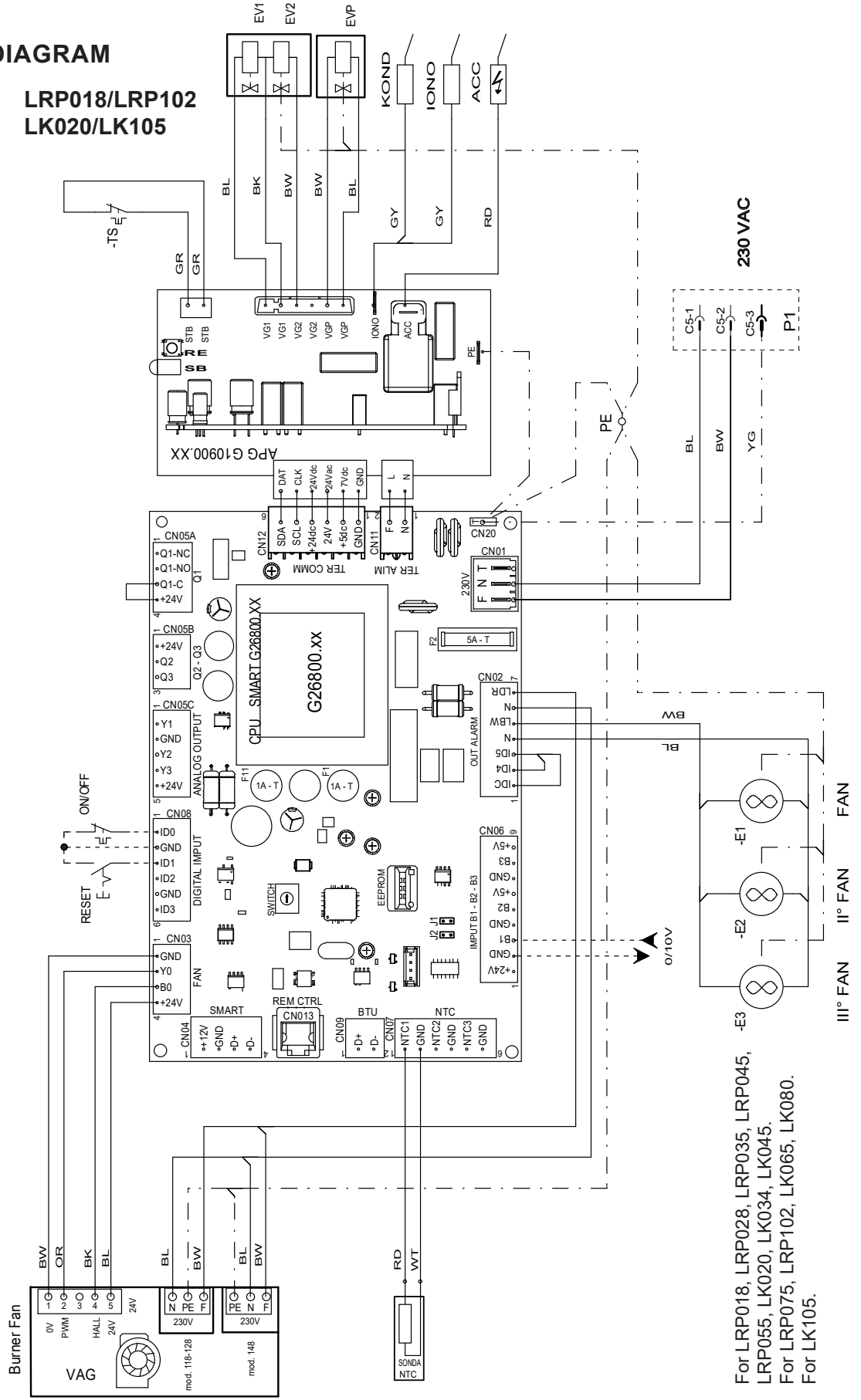
## 9. WIRING DIAGRAM

Wiring diagram

LRP018/LRP102  
LK020/LK105

(code JG0430.00)

- |                         |                 |           |
|-------------------------|-----------------|-----------|
| <b>CABLE COLOUR KEY</b> | WT white        | OR orange |
|                         | RD red          | PK pink   |
|                         | BL blue         | GR green  |
|                         | YG yellow-green | BW brown  |
|                         | GY grey         | BK black  |
|                         | YL yellow       |           |
- 
- |            |                                |
|------------|--------------------------------|
| <b>KEY</b> | ACC ignition electrode         |
|            | EV2 main GAS solenoid valve    |
|            | IONO flame detection electrode |
|            | NTC1 temperature probe         |
|            | TER flame monitoring equipment |
|            | TS safety thermostat           |
- 
- |  |                                |
|--|--------------------------------|
|  | EV1 first GAS solenoid valve   |
|  | EVP pilot GAS valve            |
|  | condensate detection electrode |
|  | P1 connection plug/socket      |
|  | VAG burner fan                 |

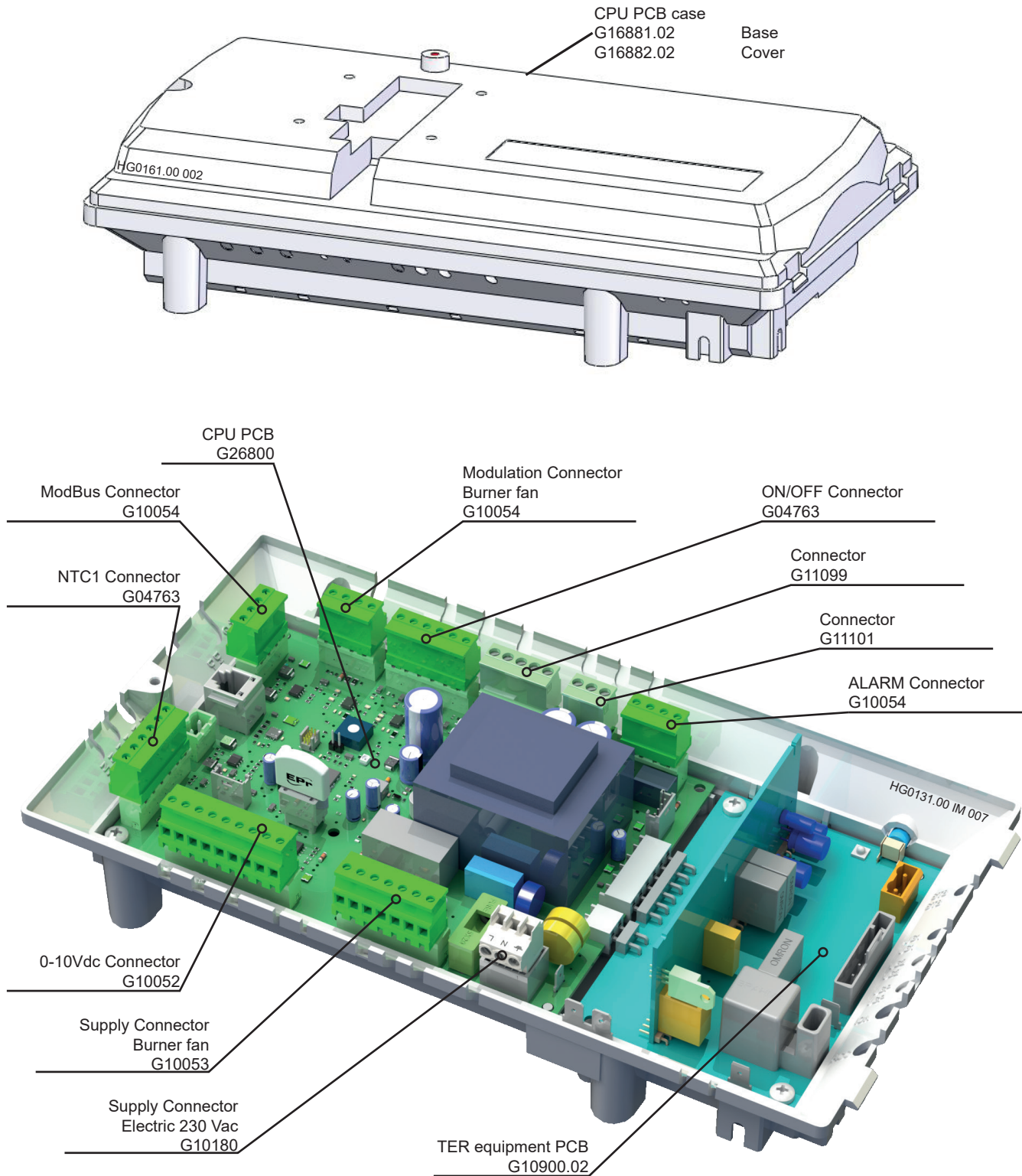


FANS  
E1  
E2  
E3

For LRP018, LRP028, LRP035, LRP045,  
LRP055, LK020, LK034, LK045.  
For LRP075, LRP102, LK065, LK080.  
For LK105.

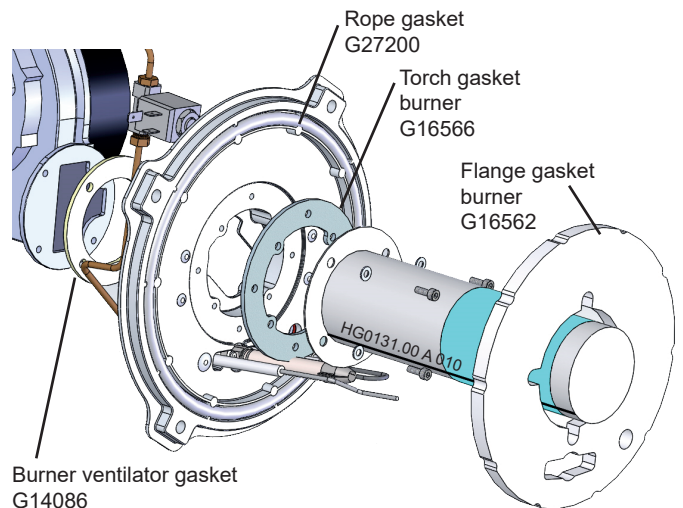
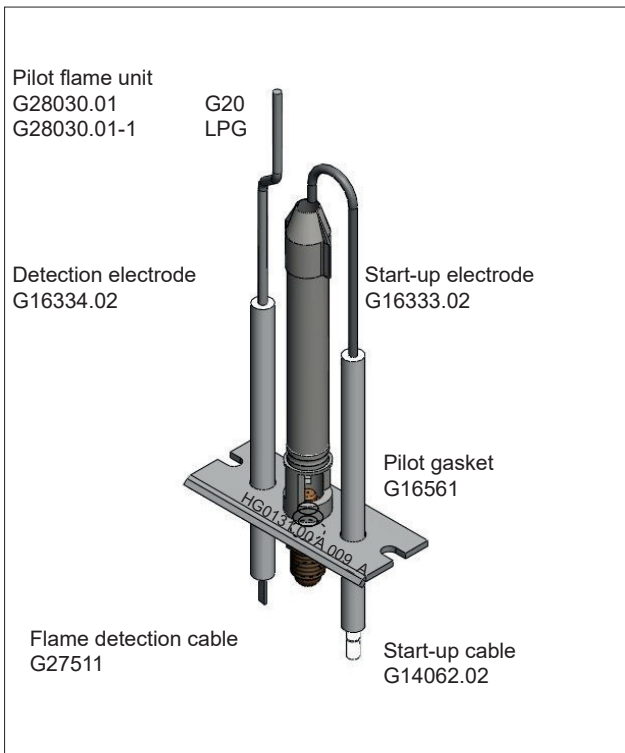
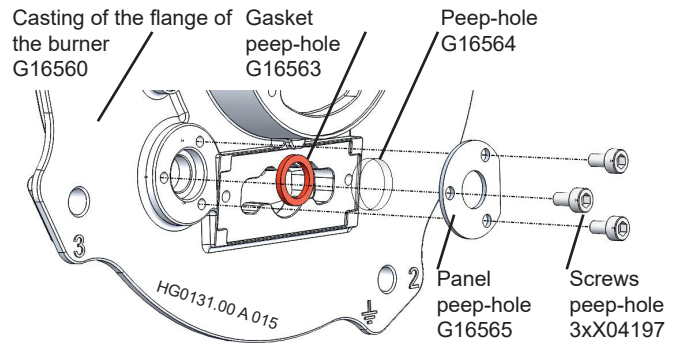
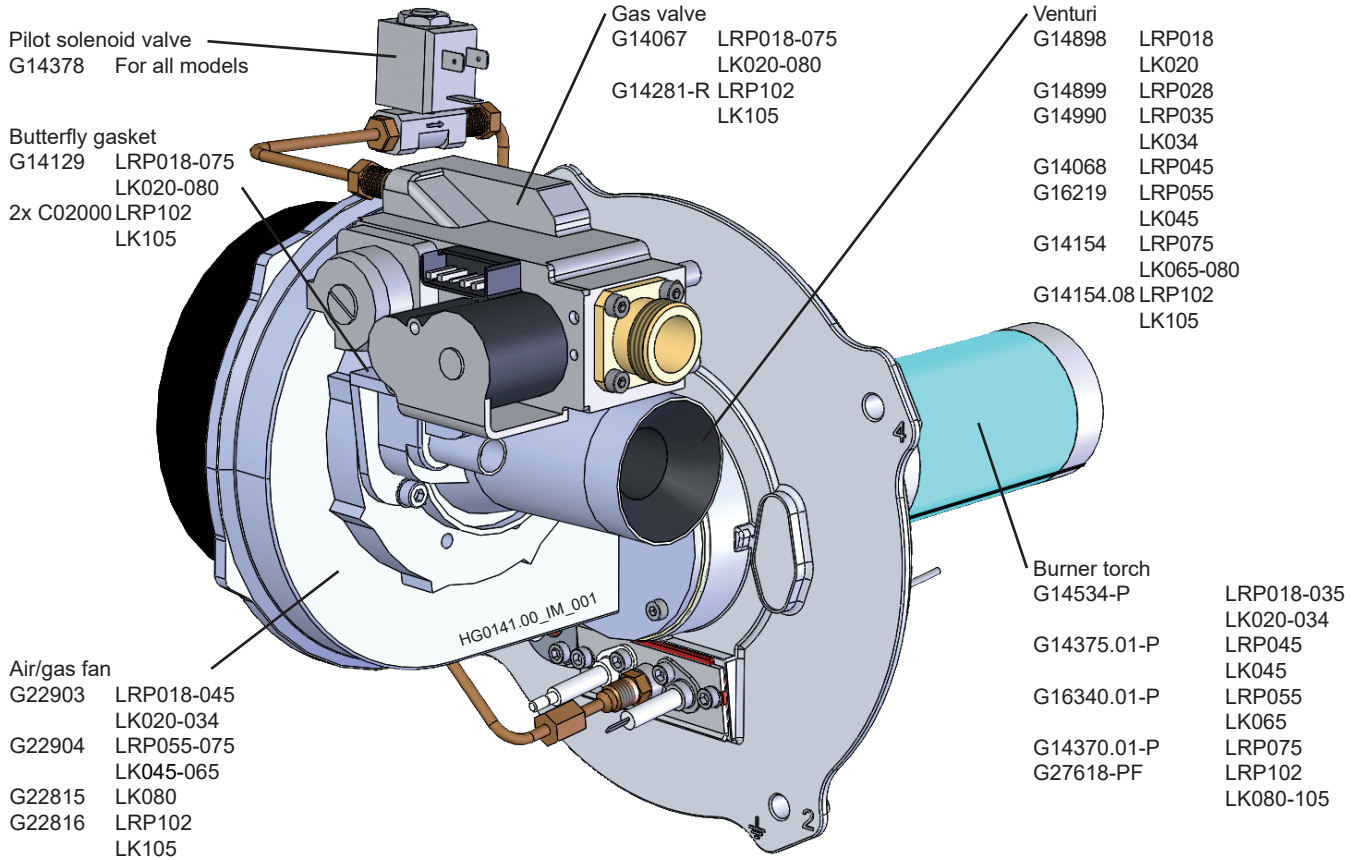
## 10. LIST OF SPARE PARTS

### 10.1. Parts for the control panel





## 10.2. Parts for the burner unit







Pessano con Bornago, 12/10/2020

## MANUFACTURER'S DECLARATION

pursuant to MD 06/08/2020 - Annex A - par. 4.1

*"Technical requirements for access to tax deductions for the energy upgrading of buildings - also known as Ecobonus"  
[Official Journal no. 246 of 5-10-2020]*

**Manufacturer:** Apen Group S.p.A  
Via Isonzo, 1  
20042 Pessano c/Bornago, MI (Italy)

**Type of intervention:** Replacement of existing winter air conditioning systems with systems equipped with condensing heaters [art.2 paragraph 1 letter e)]

**Type of heater:** Condensing warm air heater

**Commercial Name:** Kondensa - LK series

### APEN GROUP SPA DECLARES THAT:

The condensing warm air heater models of our own production, belonging to the **LK** series:

- have a **useful heat efficiency**, at a load equal to 100% of the nominal useful heat output, greater than or equal to  $93+2\text{LogPn}^1$ ;
- have a value of the seasonal space heating energy efficiency ( $\eta_{s,h}$ ) greater than or equal to 90% according to Regulation EU/2281/2016;

For the replacement of winter air conditioning systems with systems having a burner nominal power **greater than or equal to 100 kW**, for the purposes of asseveration, it is declared that the LK series heaters:

- are suitable for climate controlled operation. This regulation is available on the Smart Easy/Web Chronothermostat and acts directly on the burner;
- the burner is of modulating type



**Apen Group S.p.A.**

*An Administrator*

*Usciatto Giovanna Ripamonti*

<sup>1</sup> Test Report no. 150500451 issued by Kiwa Cermet Italia SpA, as Notified Body in compliance with GAR Regulation EU/426/2016 (Gas Appliance Regulation)







Apen Group S.p.A.  
Via Isonzo, 1  
Casella Postale 69  
20042 Pessano con Bornago (MI) Italia  
Tel. +39 02 9596931  
Fax +39 02 95742758

Cap. Soc. Euro 928.800,00 i.v.  
Cod. Fisc. - P.IVA 08767740155  
Registro AEE N. IT18080000010550  
[www.apengroup.com](http://www.apengroup.com)  
[apen@apengroup.com](mailto:apen@apengroup.com)  
[apen@pec.apengroup.com](mailto:apen@pec.apengroup.com)