



Panel

Electric Low Intensity Radiant Heater



*Innovation
in design*



*Bespoke
solutions
made easy*

Find Your perfect Heating Solution

Radiant Heat Panel Series

Electric Low Intensity Radiant Heater



The panel heater has a special frameless design which is the exact size required to fit effortlessly into suspended office ceilings and is therefore the perfect solution for discreet and zonal office heating whilst saving space.

Being a compact, but also effective, heater it is also great for wall hanging in small rooms/offices. It is a highly efficient, reliable and safe heating solution with very low running costs.

Multiple Applications

- Three models available - 600 x 600, 600 x 900 & 600 x 1200
- Discreet heater with comfort heat performance
- Wall or ceiling mounted
- Ideal for use within false ceilings
- Gentle form of heat
- No maintenance
- Indoor use
- Remote control option
- Office heating
- Student Accommodation
- Catering facilities
- Bar Areas
- Hospitality spaces
- Under mezzanines

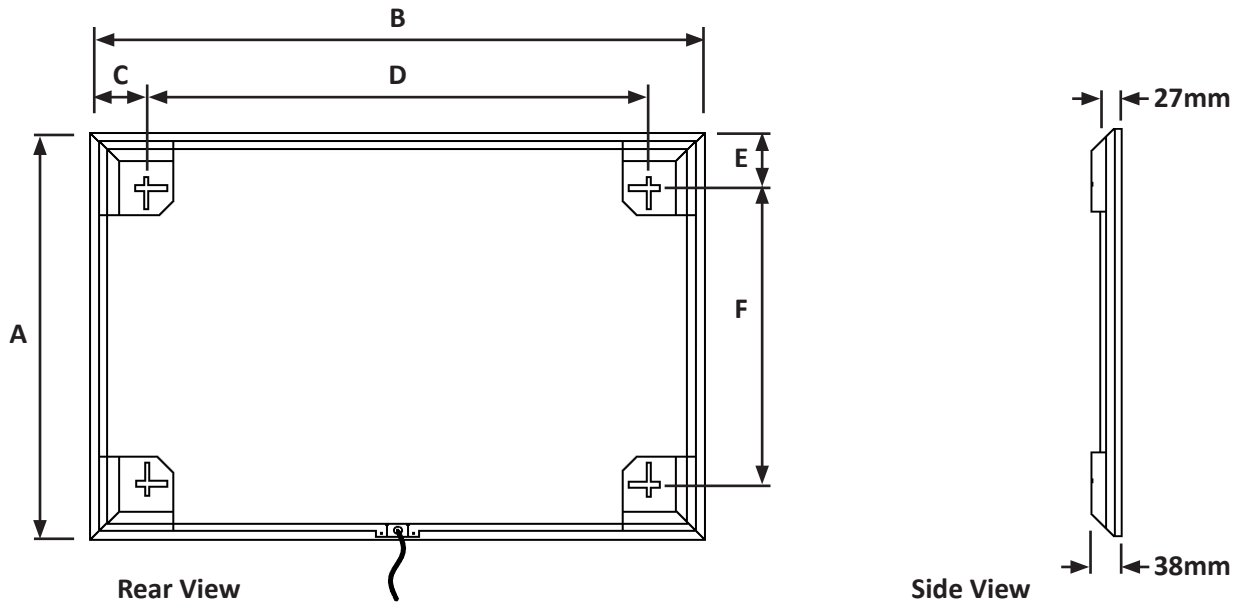
Time and temperature controller available as an option - can be connected to your phone via an App.



SPECIFICATION GUIDE - Panel Series

Model		600	900	1200
Power	W	325	520	700
Current	A	1.4	2.3	3.0
Supply voltage	V	230V 1PH N & E - 50Hz		
Min mounting height from floor	m	0.15		
Min distance to (wall mounted)	Ceiling	m	0.15	
	Side wall	m	0.15	
Weight	kg	3.1	4.9	5.3

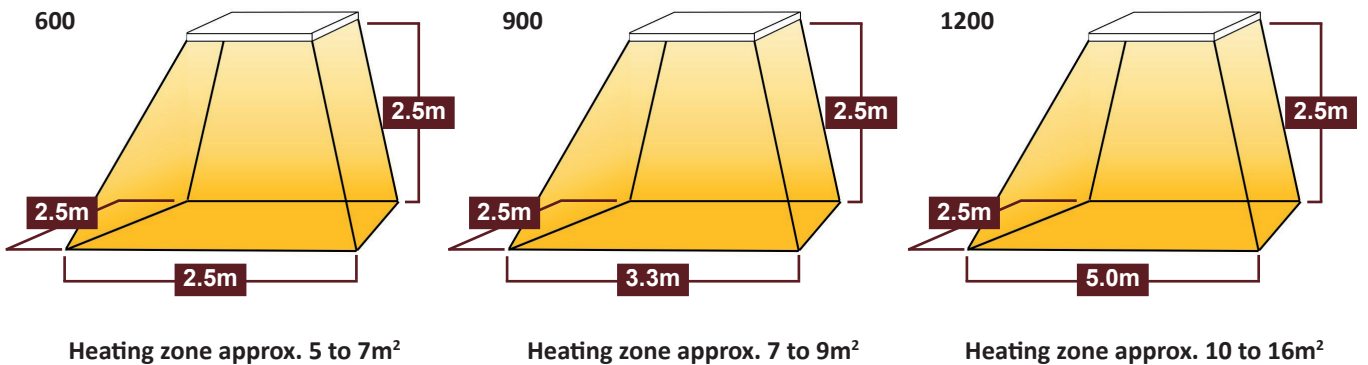
Dimensional Data



DIMENSIONAL DATA - Panel Series

Models	A	B	C	D	E	F
600	595	595	82	432	82	432
900	595	895	82	732	82	432
1200	595	1195	82	1032	82	432

Heating Coverage (typical)





Tel: +44(0)1473 830 551

Fax: +44(0)1473 832055

www.spaceray.co.uk

info@spaceray.co.uk



Gas Fired Products (UK) Ltd
Chapel Lane
Claydon
Ipswich
Suffolk, IP6 0JL



FACTORIES: IPSWICH, ENGLAND - CHARLOTTE, N.C, U.S.A